



**SP 35/35SR/45/45SR  
Small Parts Kit**

PART NUMBERS:

90-42753: SP 35/35SR/45/45SR Small Parts Kit



**SAVE THESE  
INSTRUCTIONS**

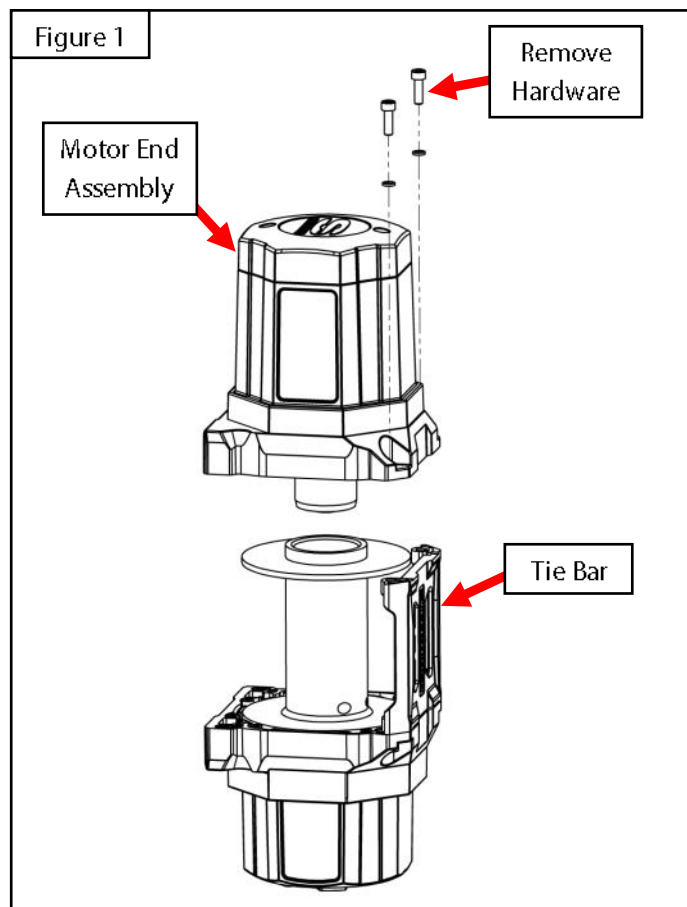
# CONTENTS

ITEM	QUANTITY	DESCRIPTION
1	4	Motor Hardware O-Ring
2	1	Motor Gasket A
3	1	Motor Gasket B
4	1	Ball Bearing
5	4	Motor O-Ring
6	2	Drum Bearing
7	2	Drum Gasket
8	1	Clutch Spring
9	1	M6 Set Screw
10	1	Gearbox Gasket
11	1	3rd Stage Thrust Bearing
12	1	2nd Stage Thrust Bearing
13	1	1st Stage Thrust Bearing
14	1	Clutch Handle O-Ring

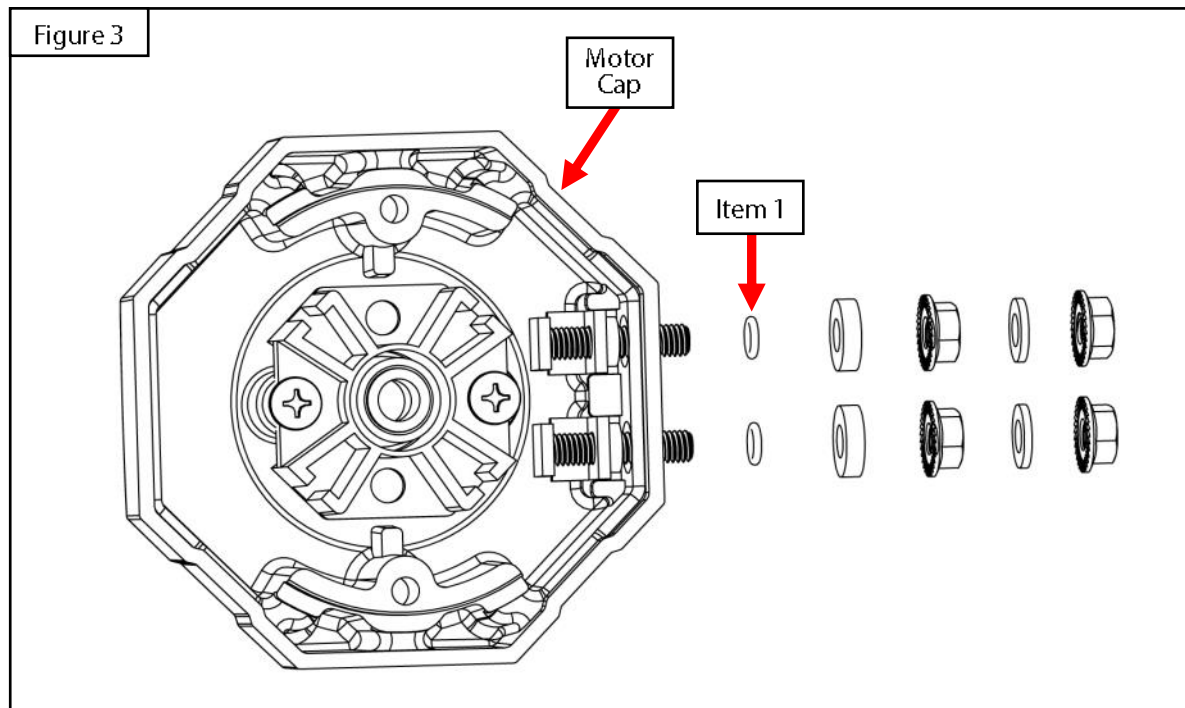
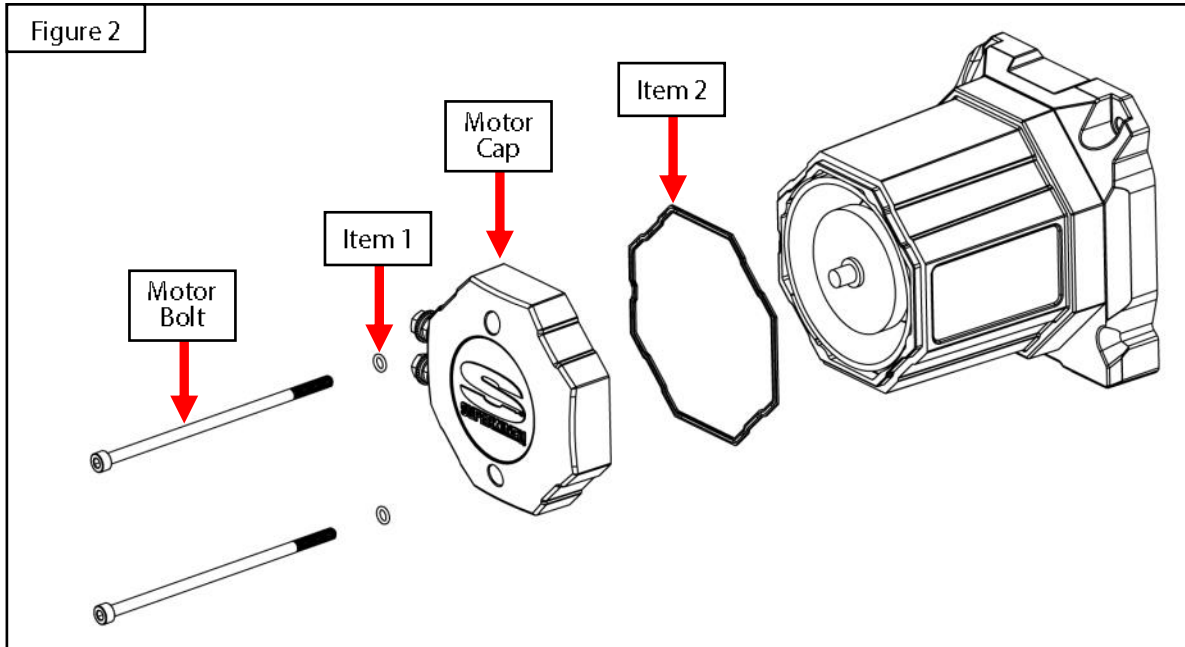
**ANTI-SEIZE LUBRICANT MUST BE USED ON ALL STAINLESS STEEL FASTENERS TO PREVENT THREAD DAMAGE AND GALLING**

# INSTALLATION INSTRUCTIONS

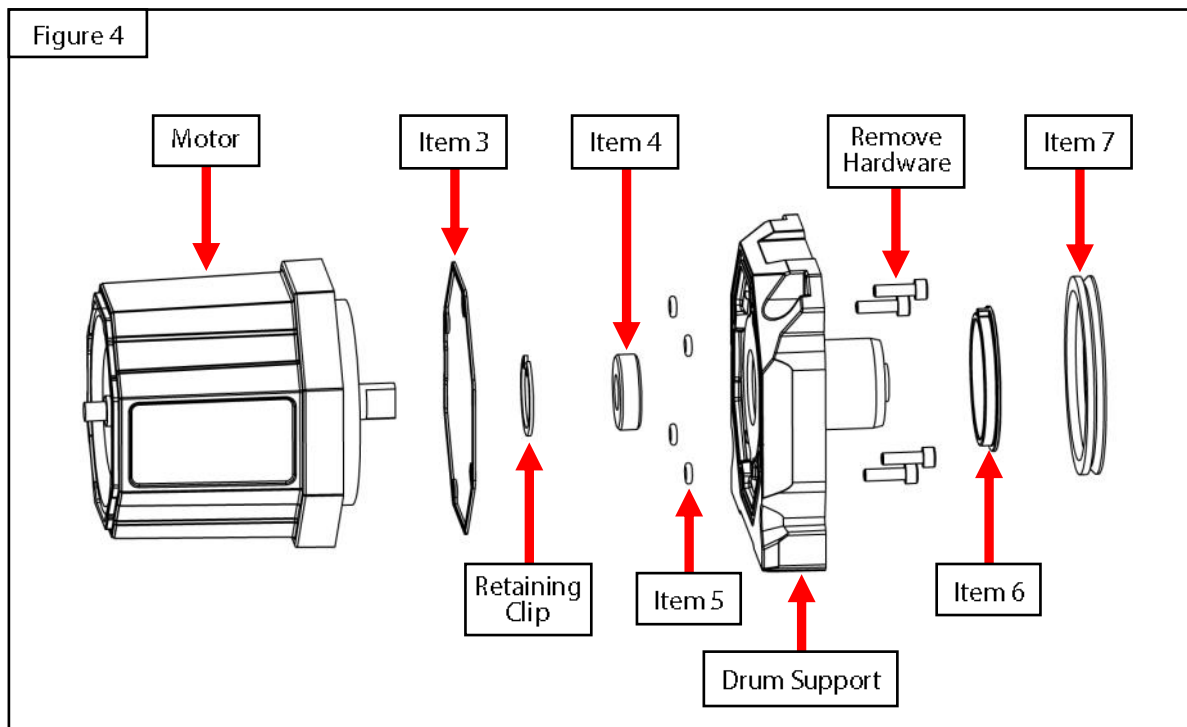
1. Remove contents from box, verify if all parts listed are present and free from damage. **Failure to identify damage before installation could lead to a rejection of any claim. Note: Carefully remove the winch as the control box will be loose**
  2. Carefully read and understand all instructions before attempting installation. **Ensure that all mounting hardware is torqued to specifications prior to use.**
- 
3. Disconnect the battery power cable and battery ground cable from the battery.
  4. Place winch on its side with motor side facing up. See **Figure 1**.
  5. Remove the (2) socket head bolts attaching the motor end assembly to the tie bar. See **Figure 1**.
  6. Remove the original motor end assembly. See **Figure 1**.



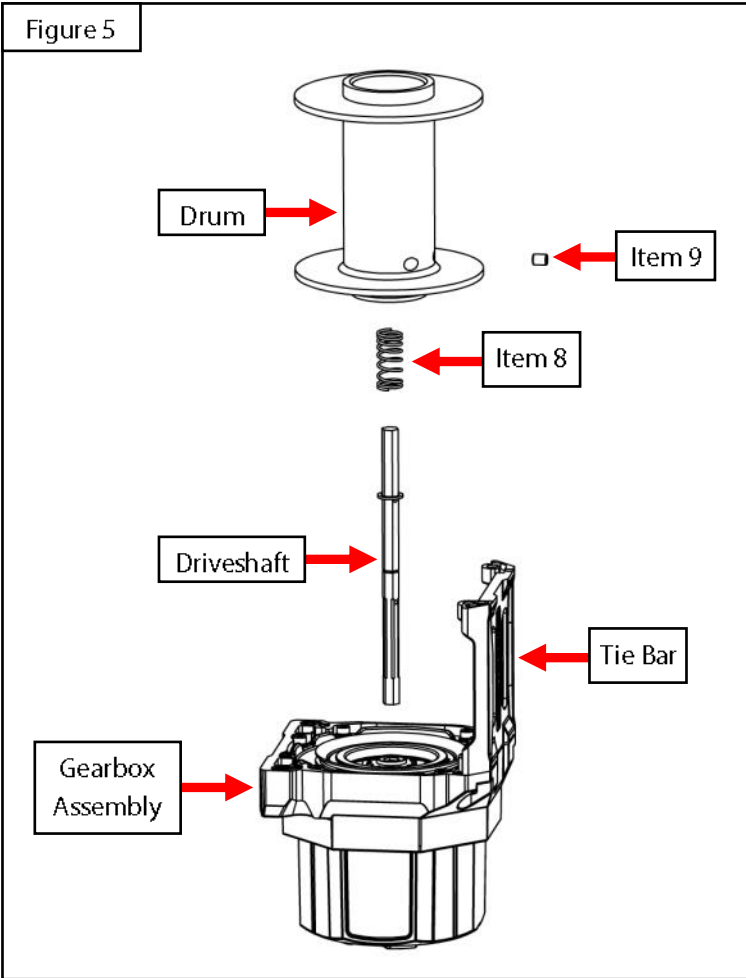
7. Remove the (2) motor bolts at the end of the motor. See **Figure 2**.
8. Remove and replace the (2) motor hardware O-rings (**item 1**) on the motor bolts. See **Figure 2**.
9. Remove the motor cap and original motor gasket A (**item 2**) from the motor. See **Figure 2**.
10. Remove and replace the (2) motor hardware O-rings (**item 1**) on the motor terminals. See **Figure 3**.



11. Remove the (4) socket head bolts attaching the motor to the drum support. See **Figure 4**.
12. Remove the motor from the drum support. See **Figure 4**.
13. Remove and replace motor gasket B (**item 3**). See **Figure 4**.
14. Remove the retaining clip from the drum support. See **Figure 4**.
15. Remove and replace the ball bearing (**item 4**). See **Figure 4**.
16. Remove and replace the motor O-rings (**item 5**). See **Figure 4**.
17. Remove and replace the drum bearing (**item 6**) and drum gasket (**item 7**) on the drum support. See **Figure 4**.
18. Reassemble the motor end assembly. See **Figures 2, 3, and 4**.

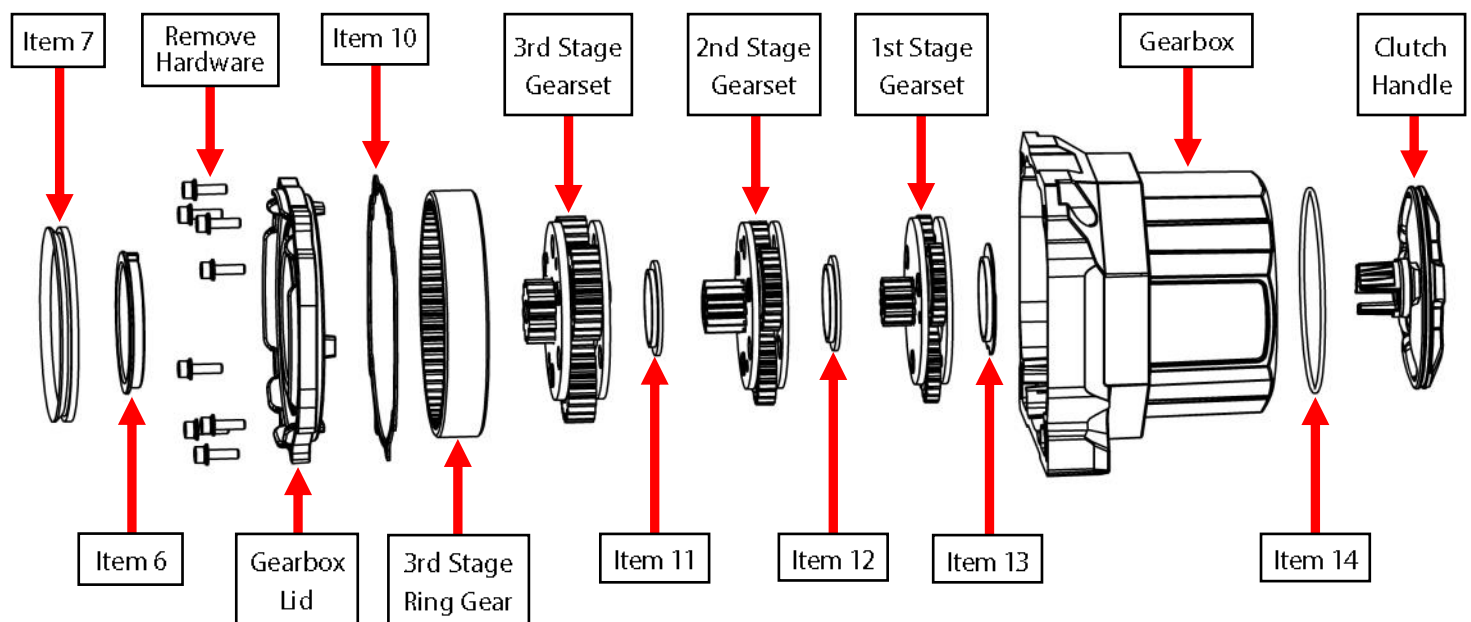


- 19. Lift the drum off of the gearbox assembly. See **Figure 5**.
- 20. Remove and replace the M6 set screw (**item 9**). See **Figure 5**.
- 21. Remove the driveshaft and original clutch spring (**item 8**). See **Figure 5**.
- 22. Remove the tie bar from the gearbox assembly. See **Figure 5**.



23. Remove the (8) socket head bolts attaching the gearbox lid to the gearbox. See **Figure 6**.
24. Remove the gears from the gearbox. See **Figure 6**.
25. Remove the retaining ring on the inside of the gearbox attaching the clutch handle to the gearbox.
26. Remove the clutch handle from the gearbox. See **Figure 6**.
27. Remove and replace the Clutch Handle O-Ring (**item 14**) on the clutch handle. See **Figure 6**.
28. Reinstall the clutch handle using the retaining ring removed in **Step 25**.
29. Remove and replace the 3rd stage thrust bearing (**item 11**) on the 3rd stage gearset. See **Figure 6**.
30. Remove and replace the 2nd stage thrust bearing (**item 12**) on the 2nd stage gearset. See **Figure 6**.
31. Remove and replace the 1st stage thrust bearing (**item 13**) on the stage gearset. See **Figure 6**.
32. Reinstall the 1st, 2nd, and 3rd stage gearsets. Reinstall the 3rd stage ring gear. See **Figure 6**.
33. Make sure that the gears are properly aligned by using the driveshaft to turn the gears by hand.
34. Install the gearbox gasket (**item 10**). See **Figure 6**.
35. Reinstall the gearbox lid using the hardware removed in **Step 23**. See **Figure 6**.
36. Remove and replace the drum bearing (**item 6**) and drum gasket (**item 7**) on the gearbox lid. See **Figure 6**.
37. Place the gearbox on its side with the clutch handle pointing down.
38. Reinstall the driveshaft. See **Figure 5**.
39. Install the replacement clutch spring (**item 8**). See **Figure 5**.
40. Reinstall the drum and tie bar onto the gearbox.
41. Reinstall the motor end assembly using the hardware removed in **Step 5**.

Figure 6



# WARNINGS

**Failure to follow these instructions could lead to death, personal injury, and / or property damage.**

**FASTENERS:**

**All SUPERWINCH supplied fasteners must be utilized and installed in accordance with the installation instructions and apply torque to the specifications as defined. DOUBLE CHECK ALL FASTENERS BEFORE INITIAL USE, AND PERIODICALLY IN THE FUTURE TO ENSURE PROPER FUNCTION AND SAFETY.**

**EYE PROTECTION:**

**ALWAYS WEAR SAFETY GLASSES OR GOGGLES DURING THE INSTALLATION PROCESS TO AVOID PERSONAL INJURY.**

**FOR CALIFORNIA RESIDENTS ONLY-PROP 65 WARNING:**

**Some products may contain chemicals such as DEHP, which can cause cancer, birth defects or other reproductive harm. For more info go to [www.p65warnings.ca.gov](http://www.p65warnings.ca.gov)**





For more information on this and other products,  
or to be put in contact with a Superwinch sales  
rep or distributor, call (800) 323- 2031  
or email [info@superwinch.com](mailto:info@superwinch.com)

**SUPERWINCH**  
**320 W. COVINA BLVD.**  
**SAN DIMAS, CA 91773**

© 2019 SUPERWINCH®, Superwinch®, and S Superwinch® (design) are registered trademarks of Superwinch Inc. in the United States and/or other countries.