

# INSTALLATION INSTRUCTIONS

## OUTLAW BUMPER HITCH ACCESSORY

# WESTIN®

### APPLICATION:

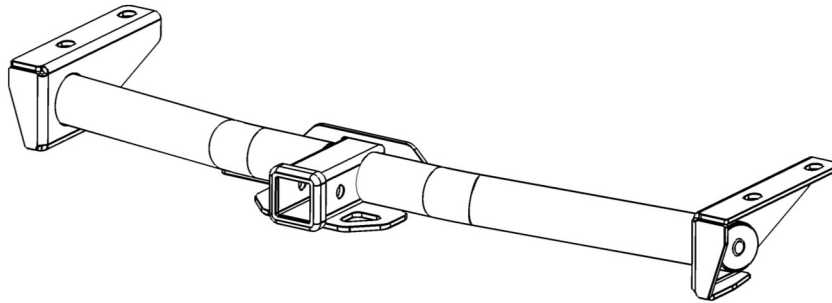
2015-2019 Chevrolet Colorado (Accessory for Outlaw Rear Bumper Only)

### PART NUMBER:

58-81055H

CONTENT			
ITEM	QUANTITY	DESCRIPTION	TOOLS NEEDED
1	1	RECEIVER HITCH	XXMM SOCKET
2	4	M12 HEX HEAD BOLT	RATCHET
3	4	M12 SPLIT LOCK WASHER	TORQUE WRENCH
4	4	M12 FLAT WASHER	

**ANTI-SEIZE LUBRICANT MUST BE USED ON ALL STAINLESS STEEL FASTENERS TO PREVENT THREAD DAMAGE AND GALLING**

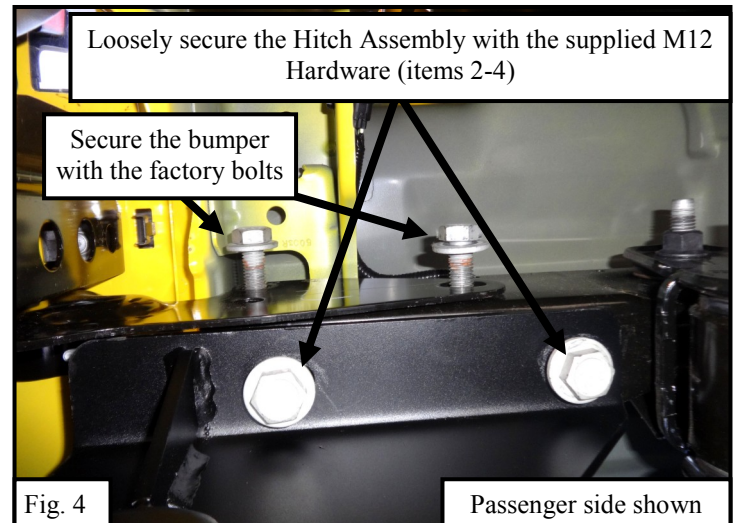
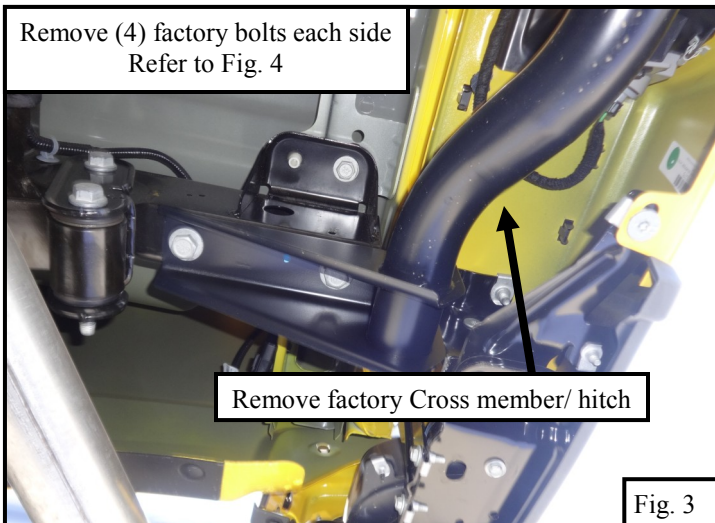
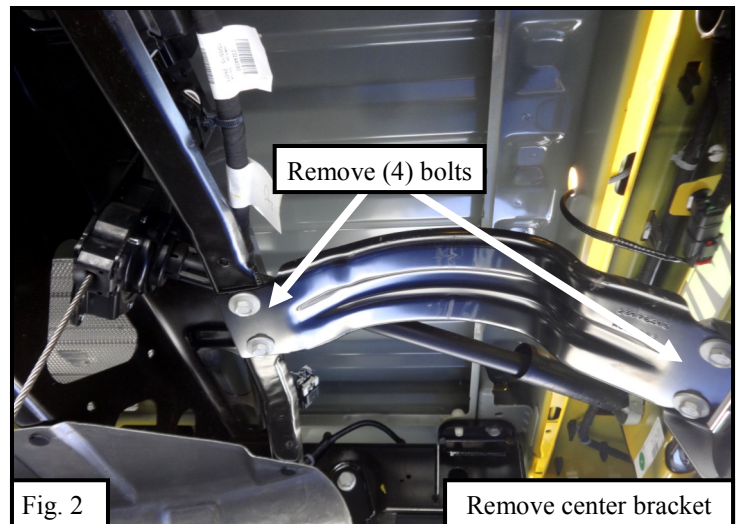


ITEM 1

## PROCEDURE

1. Remove contents from box, verify if all parts listed are present and free from damage.  
Carefully read and understand all instructions before attempting installation.  
**Failure to identify damage before installation could lead to a rejection of any claim.**

2. Lower the spare tire using the vehicle service tools located in the cab of the truck. Remove the center bracket by removing (4) factory bolts with a 13mm socket. Raise spare tire back into position. **See Fig. 1 & 2.**
3. Support the bumper with the two jack stands. Remove (8) factory bolts securing the factory cross member/hitch to the frame rail with a 21mm socket. Set the (8) factory bolts aside for reuse during the hitch assembly installation. (Note: The bumper shares the same mounting points and should be supported from underneath with the two jacks.) **See Fig. 3.**



4. Carefully remove the factory cross member/hitch from vehicle making sure that all wirings clears. **See Fig. 3.**
5. Locate the Hitch Assembly (Item 1) and with assistance align the hitch with the 4 factory threaded holes. Loosely secure the hitch using the supplied M12 Hardware. **See Fig. 4.**
6. Align and adjust the Hitch Assembly as needed, then fully tighten all hardware at this time. Torque all M12 fasteners to 60 ft-lbs.

INSTALLATION COMPLETE



Outlaw Rear Bumper and LED Lights sold separately

#### CARE INSTRUCTIONS

- REGULAR WAXING IS RECOMMENDED. DO NOT USE ANY TYPE OF POLISH OR WAX THAT MAY CONTAIN ABRASIVES.
- STAINLESS STEEL PRODUCTS CAN BE CLEANED WITH MILD SOAP AND WATER. STAINLESS STEEL POLISH SHOULD BE USED TO POLISH SMALL SCRATCHES.
- GLOSS BLACK FINISHES SHOULD BE CLEANED WITH MILD SOAP AND WATER

**WESTIN** Westin Automotive Products, Inc.  
320 W. Covina Blvd  
San Dimas, Ca. 91773

P.N.: 75-5881055H-RevA

ECO #: W18-0112

3

Thank you for choosing Westin products  
for additional installation assistance please call  
Customer Service (800) 793-7846

[www.westinautomotive.com](http://www.westinautomotive.com)

DATE: 04/11/19



SIGNATURE OF QUALITY

AUTOMOTIVE PRODUCTS, INC.

## WARNINGS & NOTICES FOR THE INSTALLATION OF WESTIN TOWING PRODUCTS - CLASS III RECEIVER HITCH

### NOTICE

Westin Receiver Hitches are designed to accommodate a 2"- square receiver draw bar rated for class III/IV towing. Closely follow all Westin Installation Instructions for the proper installation of product. Improper installation can result in death, serious injury, and/or product and vehicle damage. In the operation of these products, it is imperative to observe precautions for your personal safety and the safety of others.



## WARNING



Failure to follow these instructions could lead to death, personal injury, and / or property damage.

### FASTENERS:

All Westin supplied fasteners must be utilized and installed in accordance with the installation instructions and apply torque to the specifications as defined. **DOUBLE CHECK ALL FASTENERS BEFORE INITIAL USE, AND PERIODICALLY IN THE FUTURE TO ENSURE PROPER FUNCTION AND SAFETY.**

### DRILLING:

Most Westin products do not require drilling for installation. If drilling is defined as required, use caution when drilling a vehicle. **FAILURE TO REVIEW AN AREA TO BE DRILLED MAY RESULT IN PERSONAL INJURY AND/OR INJURY TO OTHERS AS WELL AS VEHICLE DAMAGE.**

### EYE PROTECTION:

**ALWAYS WEAR SAFETY GLASSES OR GOGGLES DURING THE INSTALLATION PROCESS TO AVOID PERSONAL INJURY.**

### MAXIMUM TOWING/CARRYING CAPACITY:

The Westin Receiver Hitches will have a visible tow rating label affixed directly on the product. User should never exceed the vehicle manufacturers maximum tow and weight rating regardless of the capacity of the hitch. **FAILURE TO FOLLOW THESE GUIDELINES WILL VOID THE WESTIN WARRANTY AND MAY RESULT IN PERSONAL INJURY AND/OR INJURY TO OTHERS AS WELL AS VEHICLE DAMAGE.**

**WESTIN**

Westin Automotive Products, Inc.  
320 W. Covina Blvd  
San Dimas, Ca. 91773

Thank you for choosing Westin products  
for additional installation assistance please call  
Customer Service (800) 793-7846

[www.westinautomotive.com](http://www.westinautomotive.com)