

INSTALLATION INSTRUCTIONS

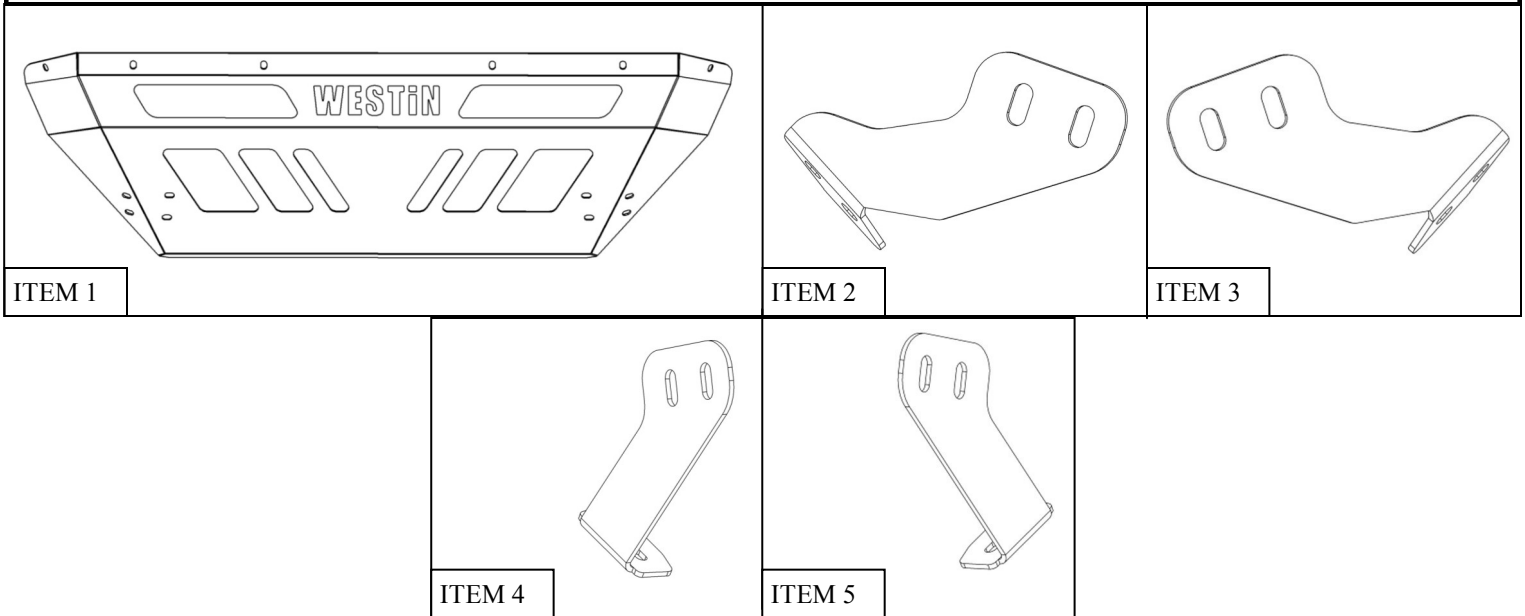
PRO-MOD SKID PLATE



APPLICATION:
2019-2020 Ram 2500/3500
PART NUMBER:
58-71235

CONTENT			
ITEM	QUANTITY	DESCRIPTION	TOOLS NEEDED
1	1	SKID PLATE	13MM SOCKET
2	1	DRIVER OUTER BRACKET	13MM WRENCH
3	1	PASSENGER OUTER BRACKET	16MM SOCKET
4	1	DRIVER INNER BRACKET	16MM WRENCH
5	1	PASSENGER INNER BRACKET	ALLEN KEY
6	4	M8 U-CLIPS	RATCHET
7	8	M8 FLAT WASHER	TORQUE WRENCH
8	6	M8 SPLIT LOCK WASHER	
9	8	M10 BUTTON HEAD BOLT	
10	8	M10 SERRATED FLANGE NUT	
11	16	M10 FLAT WASHER	
12	8	M10 LOCK WASHER	
13	6	M8 BUTTON HEAD BOLTS	
14	2	M8 SERRATED FLANGE NUT	

ANTI-SEIZE LUBRICANT MUST BE USED ON ALL STAINLESS STEEL FASTENERS TO PREVENT THREAD DAMAGE AND GALLING

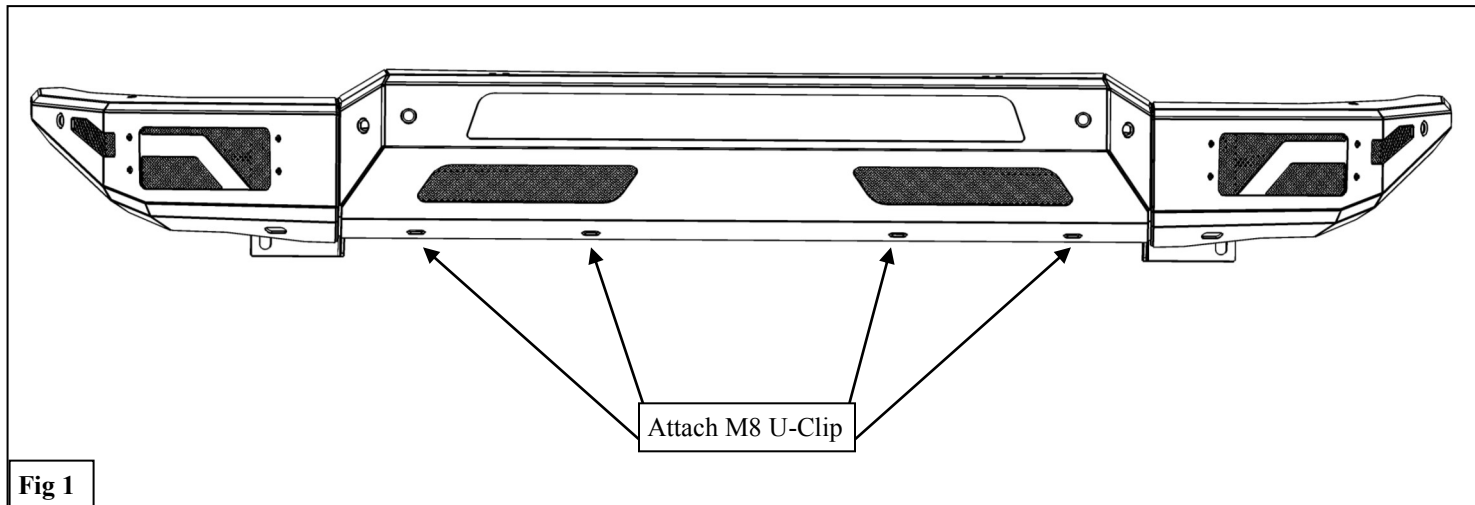


WESTIN Westin Automotive Products, Inc.
320 W. Covina Blvd
San Dimas, Ca. 91773

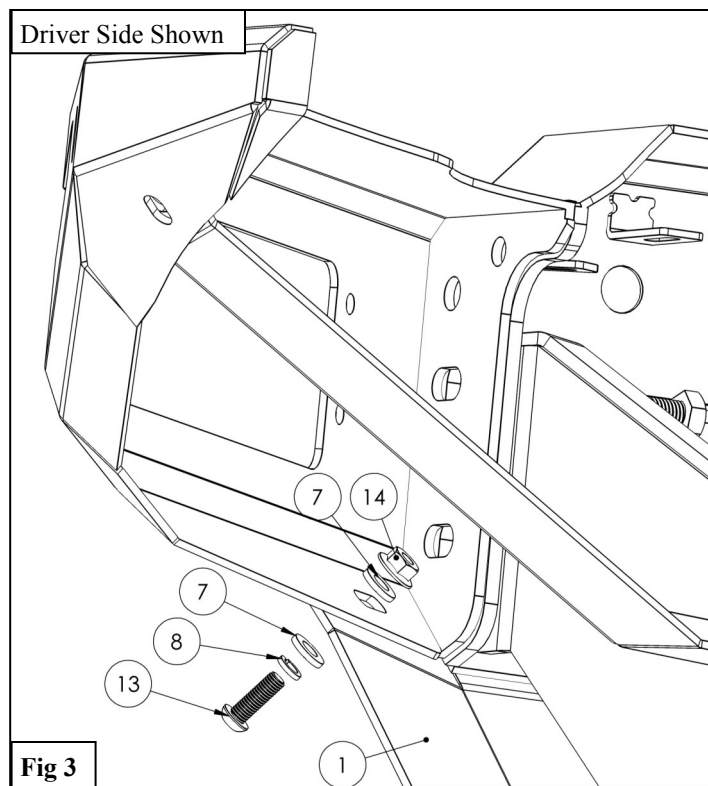
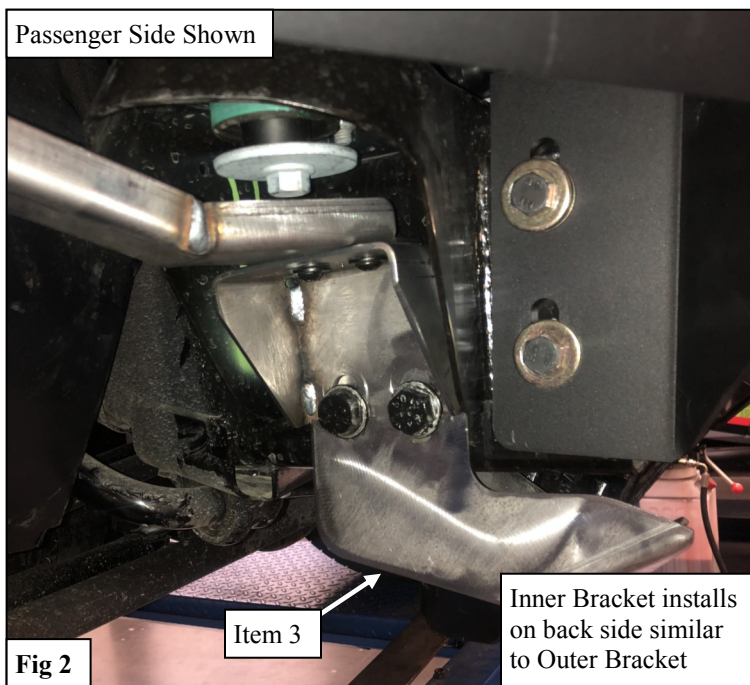
Thank you for choosing Westin products
for additional installation assistance please call
Customer Service (800) 793-7846

PROCEDURE

1. Remove contents from box, verify if all parts listed are present and free from damage.
Carefully read and understand all instructions before attempting installation.
Failure to identify damage before installation could lead to a rejection of any claim.
2. Attach the M8 U-Clips (6) to the pre-installed Pro-Mod Bumper (sold separately) in the locations shown in **Figure 1**.

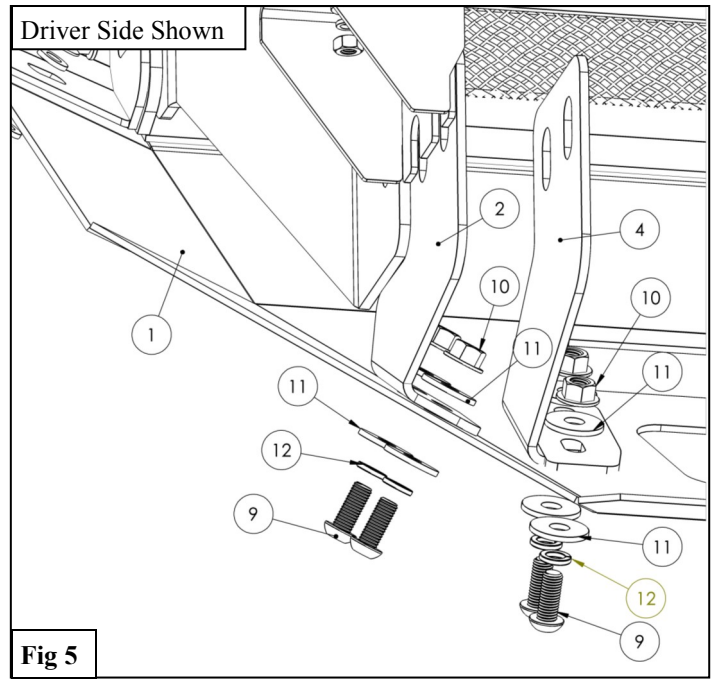
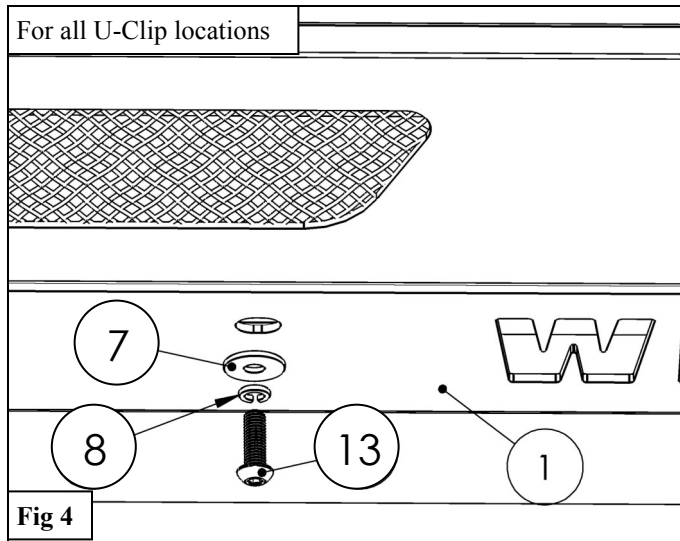


3. Install the Inner and Outer Brackets (2-5) to the frame of the vehicle using the OEM Hardware in the same location of the Base Support of the Pro-Mod Bumper (sold separately). See **Figure 2**.
4. Lift the Skid Plate (1) into place and secure it using the supplied M8 and M10 Hardware. See **Figures 3-5**.



WESTIN

Westin Automotive Products, Inc.
320 W. Covina Blvd
San Dimas, Ca. 91773



5. Align and tighten all hardware as specified: M8 to 18 ft-lbs, M10 to 38 ft-lbs.

INSTALLATION COMPLETE



Lights and Bumper Sold Separately

CARE INSTRUCTIONS

- REGULAR WAXING IS RECOMMENDED. DO NOT USE ANY TYPE OF POLISH OR WAX THAT MAY CONTAIN ABRASIVES.
- STAINLESS STEEL PRODUCTS CAN BE CLEANED WITH MILD SOAP AND WATER. STAINLESS STEEL POLISH SHOULD BE USED TO POLISH SMALL SCRATCHES.
- GLOSS BLACK FINISHES SHOULD BE CLEANED WITH MILD SOAP AND WATER



WARNING



Failure to follow these instructions could lead to death, personal injury, and / or property damage.

Failure to follow these instructions could lead to death, personal injury, and / or property damage.

FASTENERS:

All Westin supplied fasteners must be utilized and installed in accordance with the installation instructions and apply torque to the specifications as defined. **DOUBLE CHECK ALL FASTENERS BEFORE INITIAL USE, AND PERIODICALLY IN THE FUTURE TO ENSURE PROPER FUNCTION AND SAFETY.**

DRILLING:

Most Westin products do not require drilling for installation. If drilling is defined as required, use caution when drilling a vehicle. **FAILURE TO REVIEW AN AREA TO BE DRILLED MAY RESULT IN PERSONAL INJURY AND/OR INJURY TO OTHERS AS WELL AS VEHICLE DAMAGE.**

EYE PROTECTION:

ALWAYS WEAR SAFETY GLASSES OR GOGGLES DURING THE INSTALLATION PROCESS TO AVOID PERSONAL INJURY.

MAXIMUM TOWING/CARRYING CAPACITY: (if applicable)

The Westin Receiver Hitches will have a visible tow rating label affixed directly on the product. User should never exceed the vehicle manufacturers maximum tow and weight rating regardless of the capacity of the hitch. **FAILURE TO FOLLOW THESE GUIDELINES WILL VOID THE WESTIN WARRANTY AND MAY RESULT IN PERSONAL INJURY AND/OR INJURY TO OTHERS AS WELL AS VEHICLE DAMAGE.**

FOR CALIFORNIA RESIDENTS ONLY-PROP 65 WARNING:

Some products may contain chemicals such as DEHP, which can cause cancer, birth defects or other reproductive harm. For more info go to www.p65warnings.ca.gov



Westin Automotive Products, Inc.
320 W. Covina Blvd
San Dimas, Ca. 91773