

INSTALLATION INSTRUCTIONS

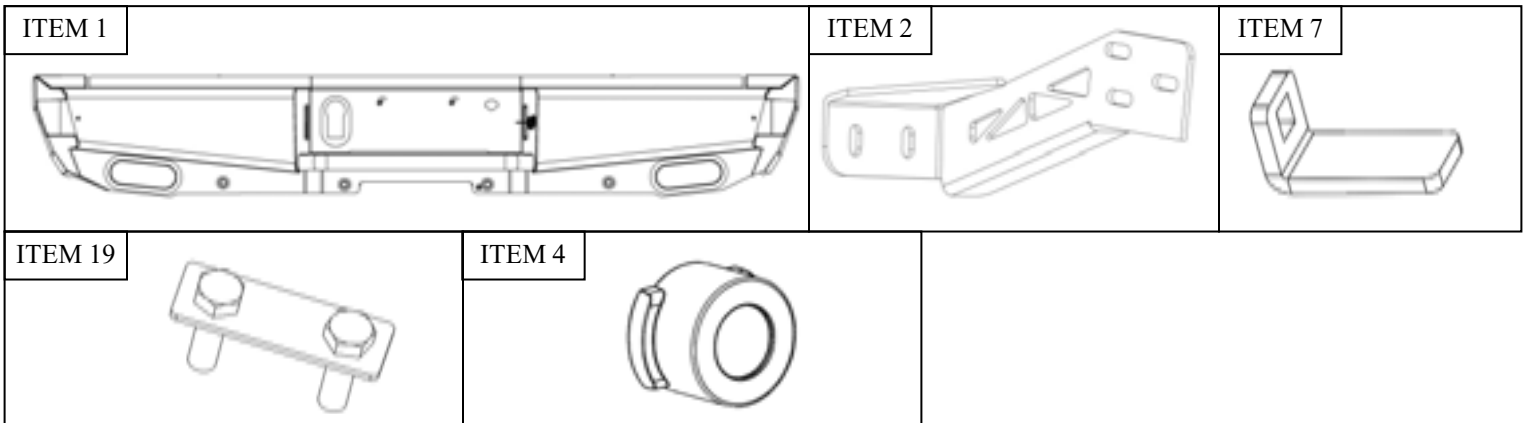
HDX BANDIT REAR BUMPER



APPLICATION:
2011-2016 Ford F-250/350
PART NUMBER:
58-341115

CONTENT			
ITEM	QUANTITY	DESCRIPTION	TOOLS NEEDED
1	1	REAR BANDIT BUMPER	19MM SOCKET
2	1	DRIVER MOUNTING BRACKET	19MM WRENCH
3	1	PASSENGER MOUNTING BRACKET	10MM SOCKET
4	4	SENSOR PLUG	10MM WRENCH
5	2	LICENSE PLATE LIGHT	18MM WRENCH
6	2	BACK UP LIGHT	ZIP TIES
7	4	SENSOR L-TAB	RATCHET
8	6	M12 SPLIT LOCK WASHER	TORQUE WRENCH
9	2	M12 HEX HEAD BOLT	
10	8	M12 FLAT WASHER	
11	6	M12 HEX NUT	
12	2	M6 SOCKET DRIVE BUTON HEAD BOLT	
13	2	M6 SERRATED FLANGE NUT	
14	6	M6 FLAT WASHER	
15	4	M6 CARRIAGE BOLT	
16	4	M6 SPLIT LOCK WASHER	
17	4	M6 HEX NUT	
18	6	T-TAP CONNECTORS	
19	2	M12 DOUBLE BOLT PLATE	

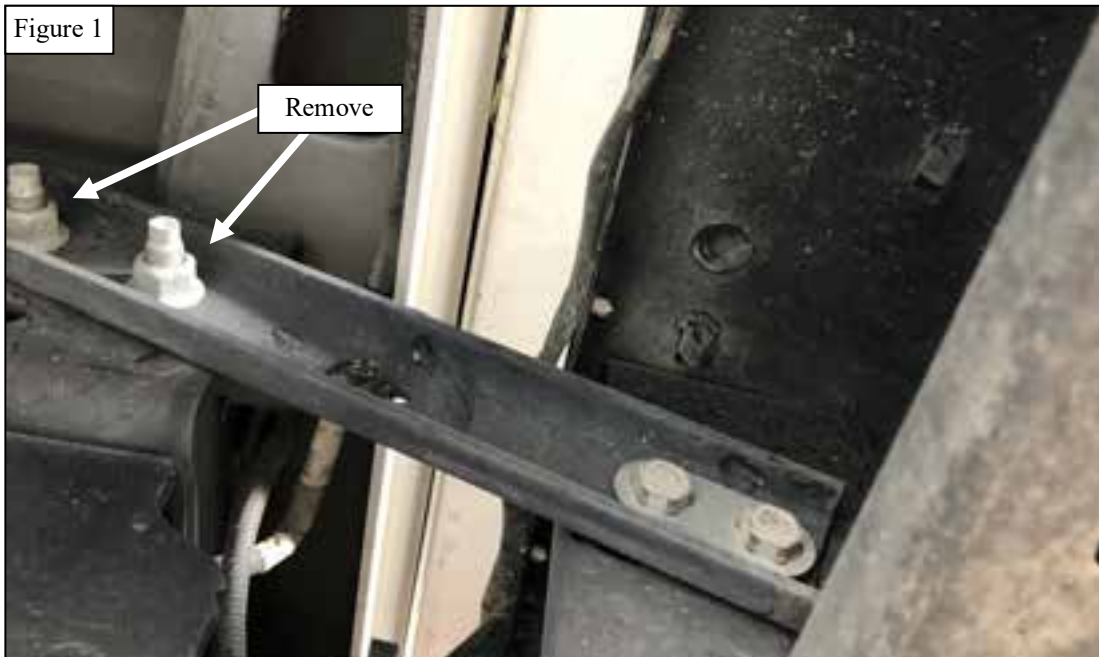
ANTI-SEIZE LUBRICANT MUST BE USED ON ALL STAINLESS STEEL FASTENERS TO PREVENT THREAD DAMAGE AND GALLING



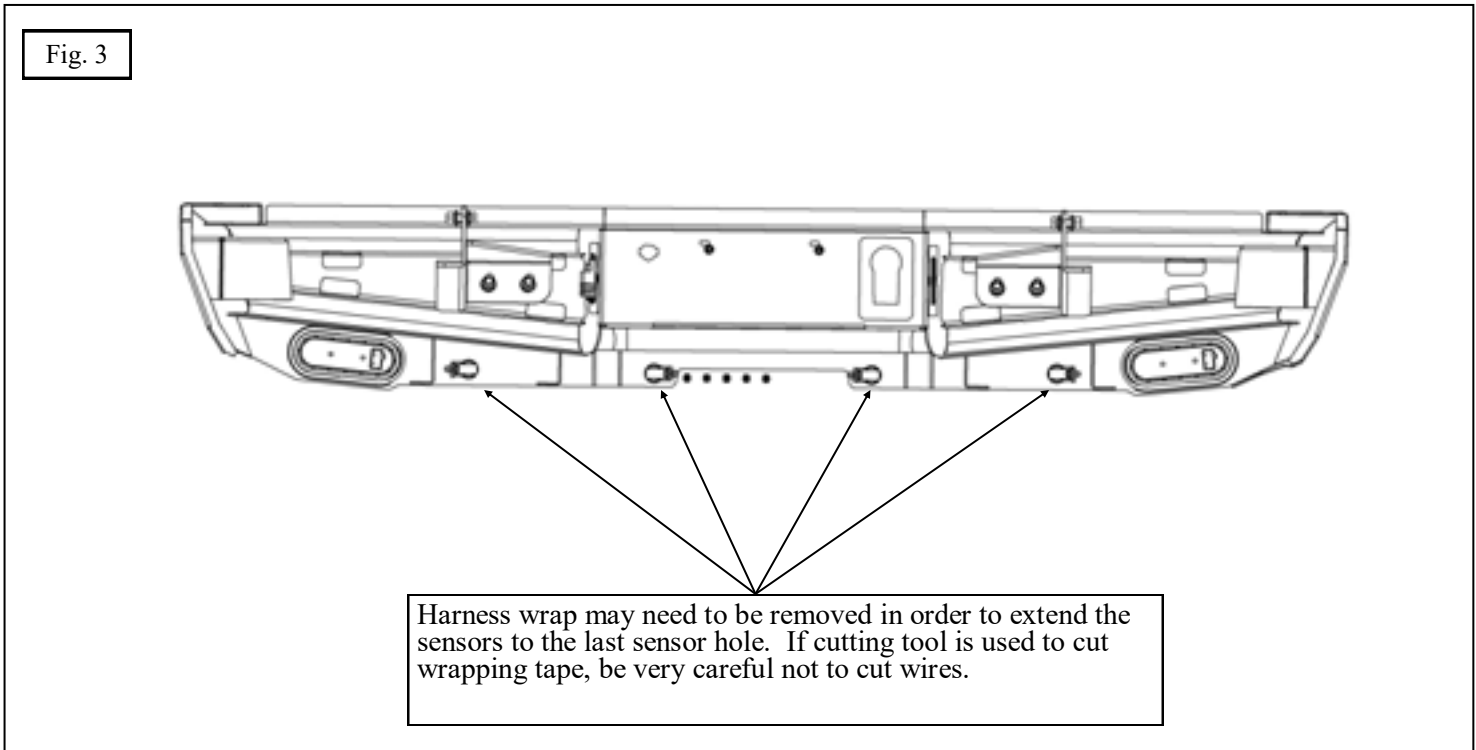
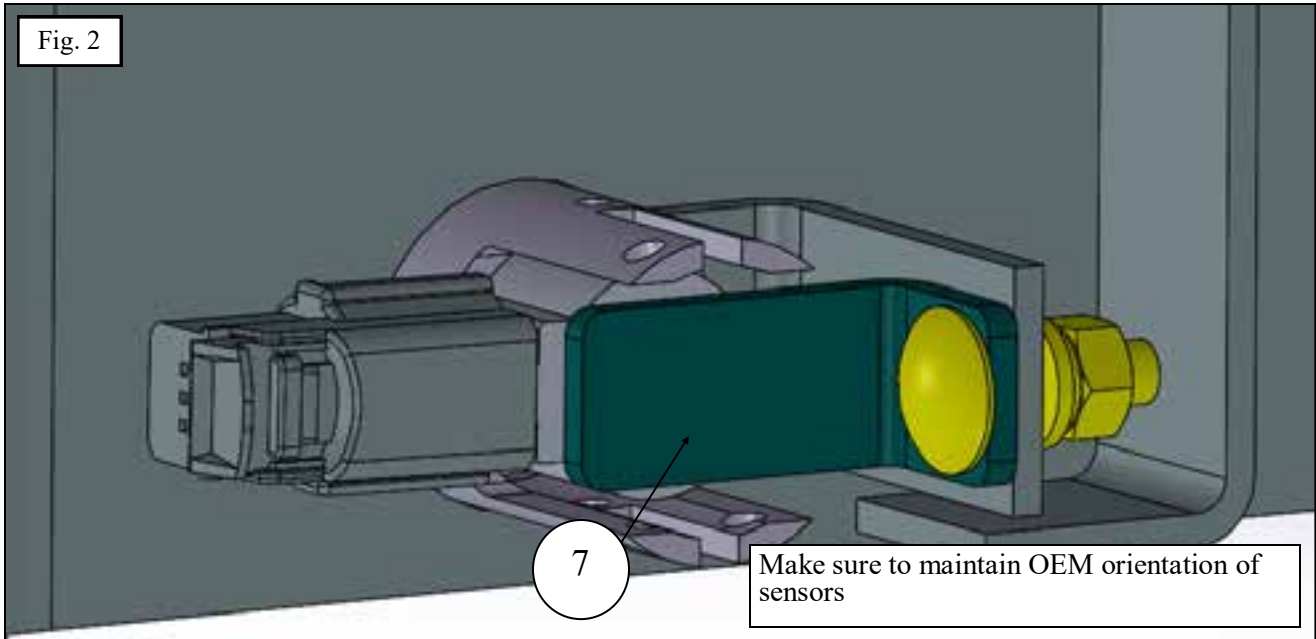
PROCEDURE

1. Remove contents from box, verify if all parts listed are present and free from damage.
Carefully read and understand all instructions before attempting installation.
Failure to identify damage before installation could lead to a rejection of any claim.

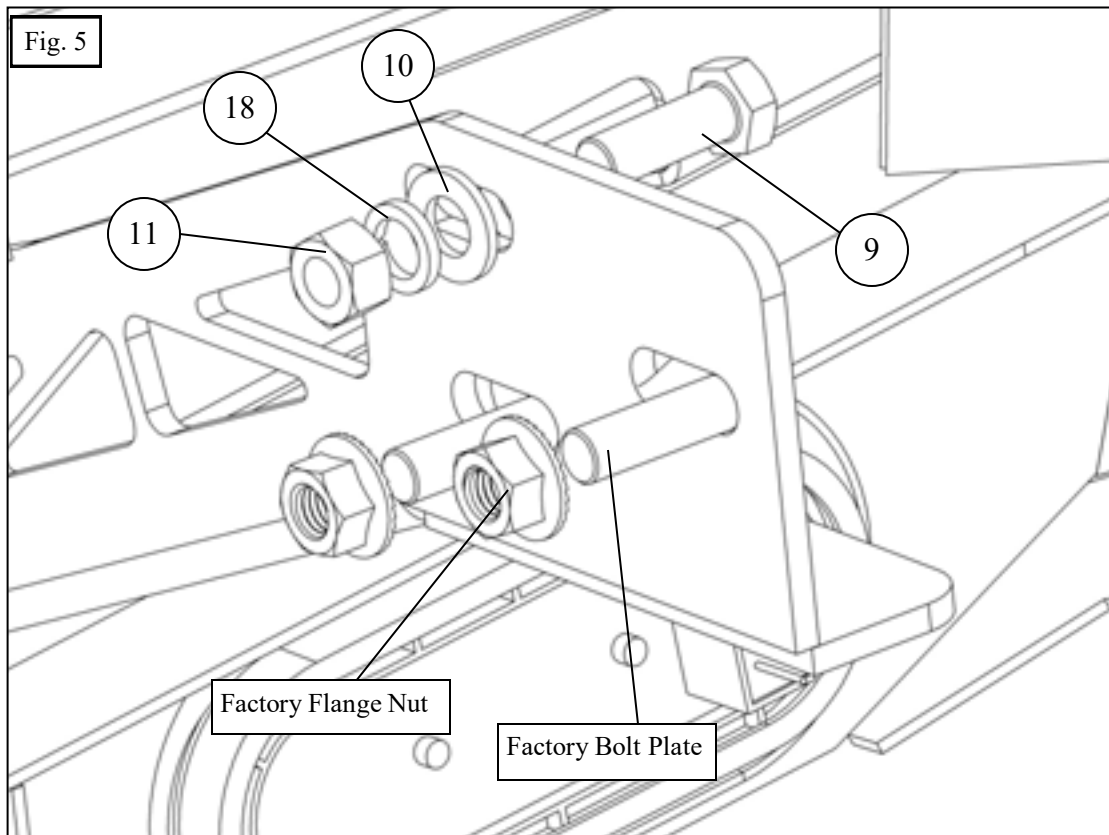
1. Remove all electrical connections.
2. Remove the two upper bolts at the frame on each side. **See Figure 1**
3. Remove the rear bumper.



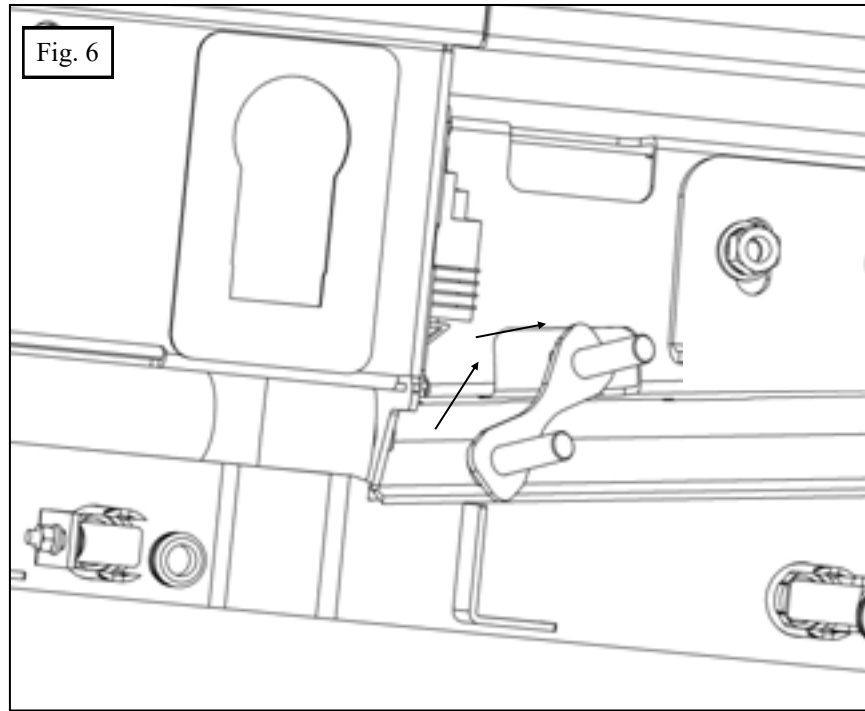
5. **If sensors are equipped:** Install parking sensors by inserting into the holes on bumper and pressing with sensor L-tabs against bumper plate. Fasten L-tabs with the supplied M6 hardware (14-17) . **See Figure 2-3.** Use supplied double sided tape between sensor and L-Tab to keep the sensor from rotating.
If sensors are not equipped: Place the supplied plugs in the sensor holes.
6. Use zip ties to secure sensor in place.
Note: Be sure to maintain the orientation of the sensor so that it remains consistent with its original orientation.
7. Tighten M6 hardware to 5-7 ft-lbs.



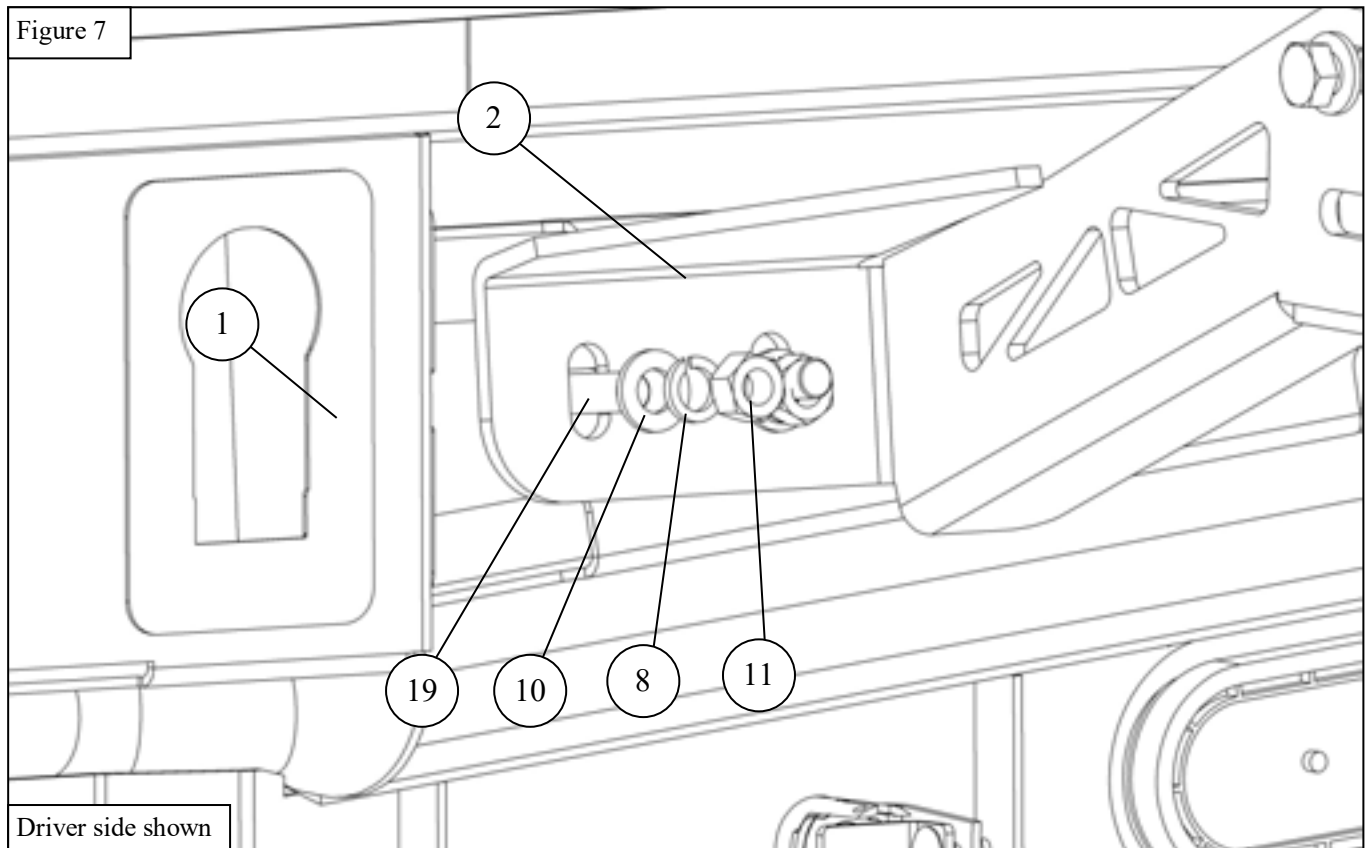
8. Using the supplied M12 hardware and factory hardware, loosely assemble the mounting brackets to the frame. See Figure 5-6



9. Insert the supplied M12 bolt plates into the bumper. See Figure 6.



10. With help, loosely assemble the bumper to the mounting brackets. See Figure 7.



11. Install the Trailer plug and license plate at this time.

WARNING .

After you have mounted bumper on main brackets. CAREFULLY open tailgate. While tailgate is open, adjust the height of the bumper so that it has at least 3/8" of clearance with respect to the tailgate. Torque to 50-55 ft-lbs.

LIGHT INSTALLATION

1. Disconnect the battery from your vehicle.
2. Locate the license plate lights (pre-installed) in the bumper. Pop out the lights by squeezing the clips in on the backside. See Figure 8.
3. Locate the factory wiring for the license plate lights. Strip back the wiring on the factory harness and supplied light. Using connectors, crimp the red wire on the positive factory wire and the black wire to the factory ground wire. See Figure 9

Figure 8

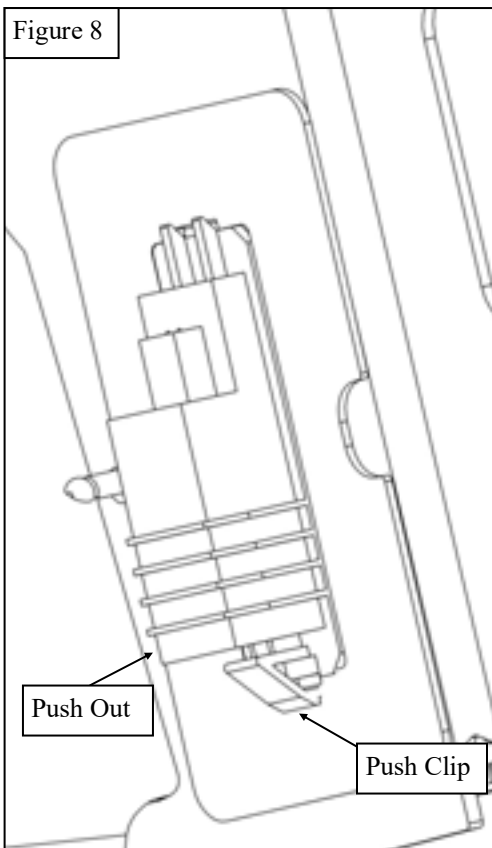
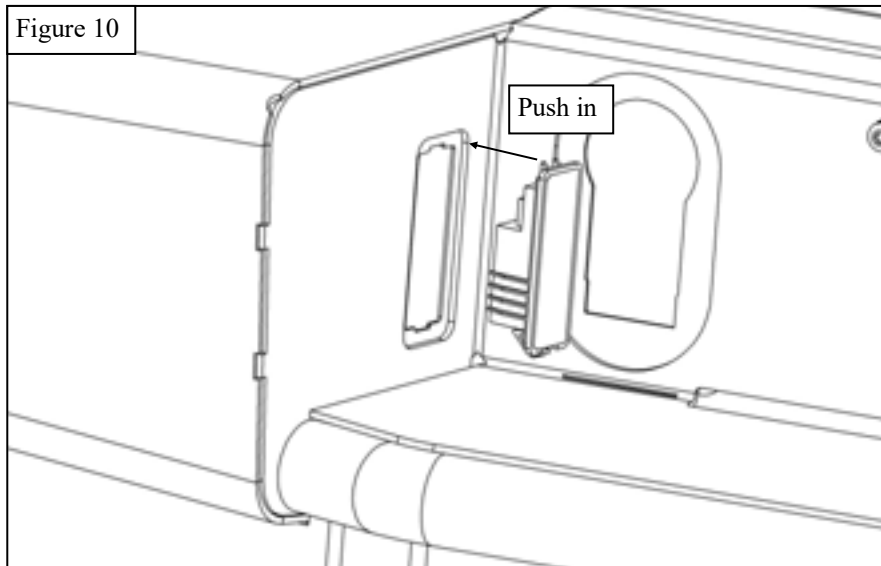


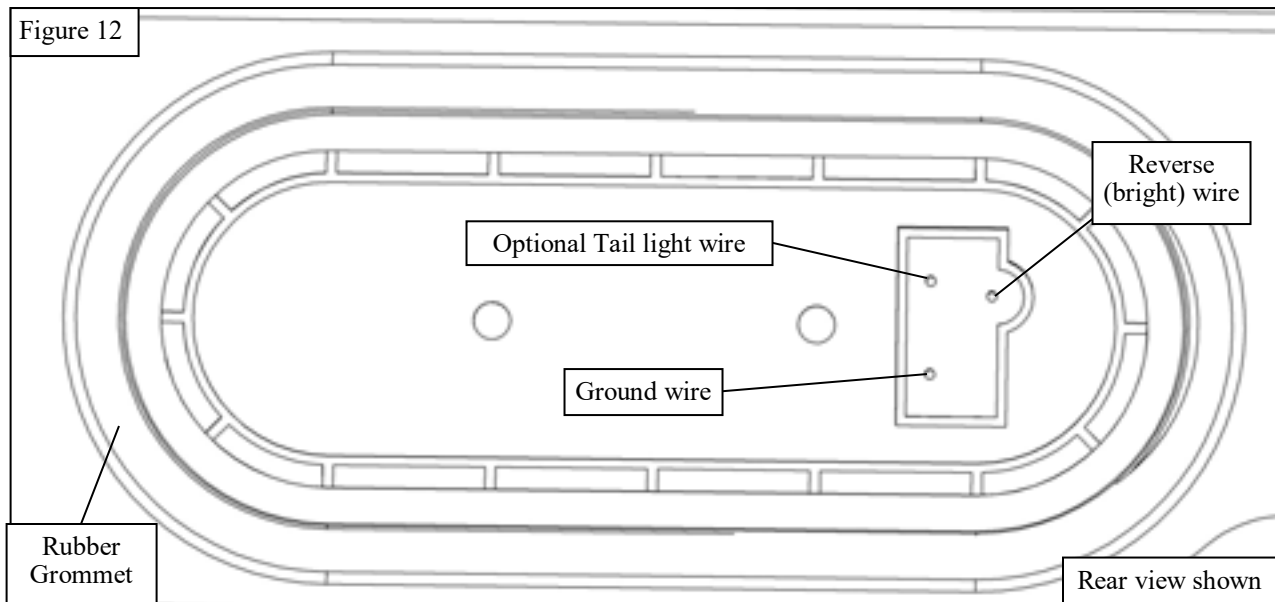
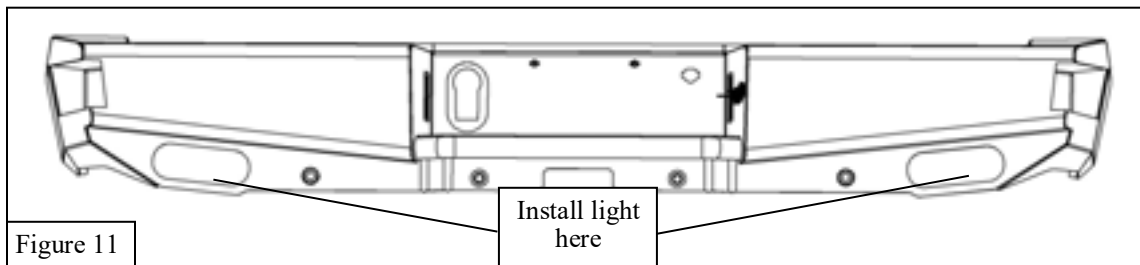
Figure 9



4. Push the light back in until it clips into place. Repeat on the opposite side. **See Figure 10**



5. Remove the light from the rubber grommet. Install the rubber grommet into the back up light location on the bumper. Then, reinstall the light into the rubber grommet. **See Figure 11-12**
6. Looking at the backside of the lower reverse lights, there are three wires: a ground wire, optional (off road only) tail light wire, and a reverse light (bright) wire. Using the figure below, connect the reverse light wire to the factory reverse light harness, and ground wire to a factory ground wire. If using the optional tail light wire, connect the Tail light wire to a switch. **See Figure 12**
7. Reconnect your battery.



INSTALLATION COMPLETED



CARE INSTRUCTIONS

- REGULAR WAXING IS RECOMMENDED. DO NOT USE ANY TYPE OF POLISH OR WAX THAT MAY CONTAIN ABRASIVES.
- STAINLESS STEEL PRODUCTS CAN BE CLEANED WITH MILD SOAP AND WATER. STAINLESS STEEL POLISH SHOULD BE USED TO POLISH SMALL SCRATCHES.
- GLOSS BLACK FINISHES SHOULD BE CLEANED WITH MILD SOAP AND WATER.

WESTIN

Westin Automotive Products, Inc.
320 W. Covina Blvd
San Dimas, Ca. 91773

Thank you for choosing Westin products
for additional installation assistance please call
Customer Service (800) 793-7846
www.westinautomotive.com



WARNING



Failure to follow these instructions could lead to death, personal injury, and / or property damage.

Failure to follow these instructions could lead to death, personal injury, and / or property damage.

FASTENERS:

All Westin supplied fasteners must be utilized and installed in accordance with the installation instructions and apply torque to the specifications as defined. **DOUBLE CHECK ALL FASTENERS BEFORE INITIAL USE, AND PERIODICALLY IN THE FUTURE TO ENSURE PROPER FUNCTION AND SAFETY.**

DRILLING:

Most Westin products do not require drilling for installation. If drilling is defined as required, use caution when drilling a vehicle. **FAILURE TO REVIEW AN AREA TO BE DRILLED MAY RESULT IN PERSONAL INJURY AND/OR INJURY TO OTHERS AS WELL AS VEHICLE DAMAGE.**

EYE PROTECTION:

ALWAYS WEAR SAFETY GLASSES OR GOGGLES DURING THE INSTALLATION PROCESS TO AVOID PERSONAL INJURY.

MAXIMUM TOWING/CARRYING CAPACITY: (if applicable)

The Westin Receiver Hitches will have a visible tow rating label affixed directly on the product. User should never exceed the vehicle manufacturers maximum tow and weight rating regardless of the capacity of the hitch. **FAILURE TO FOLLOW THESE GUIDELINES WILL VOID THE WESTIN WARRANTY AND MAY RESULT IN PERSONAL INJURY AND/OR INJURY TO OTHERS AS WELL AS VEHICLE DAMAGE.**

FOR CALIFORNIA RESIDENTS ONLY-PROP 65 WARNING:

Some products may contain chemicals such as DEHP, which can cause cancer, birth defects or other reproductive harm. For more info go to www.p65warnings.ca.gov



Westin Automotive Products, Inc.
320 W. Covina Blvd
San Dimas, Ca. 91773