

INSTALLATION INSTRUCTIONS

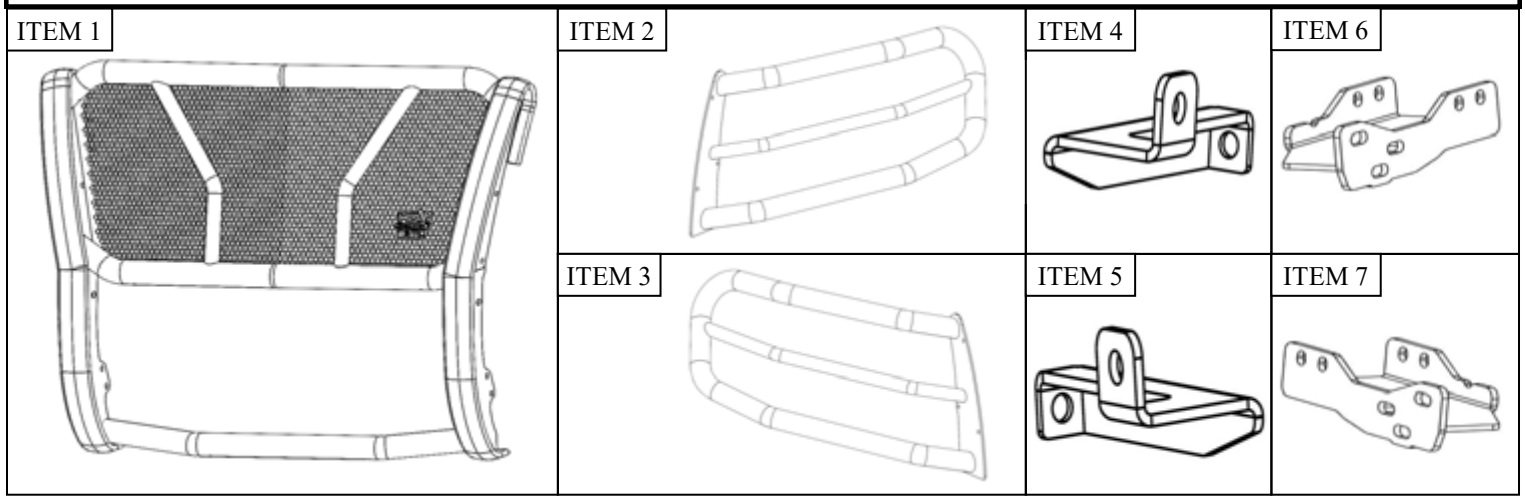
HDX MODULAR GRILLE GUARD



APPLICATION:
2015-2020 Chevrolet Tahoe/Suburban (Excl. Suburban
2500HD/3500HD)
PART NUMBER:
57-23805

CONTENT			
ITEM	QUANTITY	DESCRIPTION	TOOLS NEEDED
1	1	HDX GRILLE GUARD BASE	13MM SOCKET
2	1	HDX DRIVER WING	13MM WRENCH
3	1	HDX PASSENGER WING	15MM SOCKET
4	1	UPPER MOUNTING BRACKET DRIVER SIDE	15MM WRENCH
5	1	UPPER MOUNTING BRACKET PASSENGER SIDE	16MM SOCKET
6	1	LOWER MOUNTING BRACKET DRIVER SIDE	16MM WRENCH
7	1	LOWER MOUNTING BRACKET PASSENGER SIDE	18MM SOCKET
8	6	M12 HEX HEAD FLANGE BOLT (<i>YELLOW ZINC</i>)	18MM WRENCH
9	6	M12 SERRATED FLANGE NUT (<i>YELLOW ZINC</i>)	ALLEN WRENCH
10	2	M10 SOCKET HEAD BOLT	RATCHET
11	2	M10 BELLVILLE WASHER	TORQUE WRENCH
12	2	M12 HEX SOCKET BUTTON HEAD BOLT (<i>BLACK ZINC</i>)	CUTTING TOOL
13	6	M12 BELLVILLE WASHER (<i>BLACK ZINC</i>)	TAPE MEASURE
14	6	M12 SERRATED FLANGE NUT (<i>BLACK ZINC</i>)	
15	4	M12 HEX SOCKET BUTTON HEAD BOLT (<i>BLACK ZINC</i>)	
16	8	M8 HEX SOCKET BUTTON HEAD BOLT	
17	8	M8 BELLVILLE WASHER	
18	8	M8 SERRATED FLANGE HEX NUT	

ANTI-SEIZE LUBRICANT MUST BE USED ON ALL STAINLESS STEEL FASTENERS TO PREVENT THREAD DAMAGE AND GALLING



WESTIN Westin Automotive Products, Inc.
320 W. Covina Blvd
San Dimas, Ca. 91773

Thank you for choosing Westin products
for additional installation assistance please call
Customer Service (800) 793-7846

PROCEDURE

1. Remove contents from box, verify if all parts listed are present and free from damage. Carefully read and understand all instructions before attempting installation.
Failure to identify damage before installation could lead to a rejection of any claim.
2. Locate the two rectangular covers on the bumper insert. These rectangular covers will need to be removed. Trimming may be required. See **Figure 1** for reference. *Note: Some models may have factory tow hooks installed, if so, the tow hooks will have to be removed and trimming is required.*
3. Locate the Cutting Template and place it on the bumper between the bumper insert and below the grille. Trim the circle on the template by using a drill motor and the 2" hole saw. See **Figures 2 & 3** for reference.

Figure 1

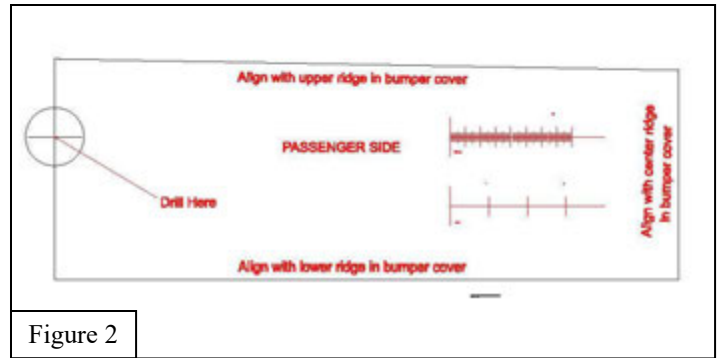
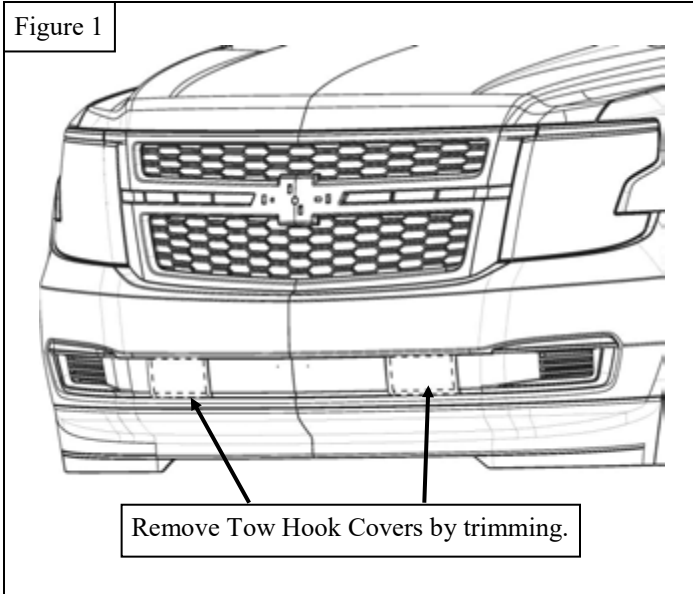
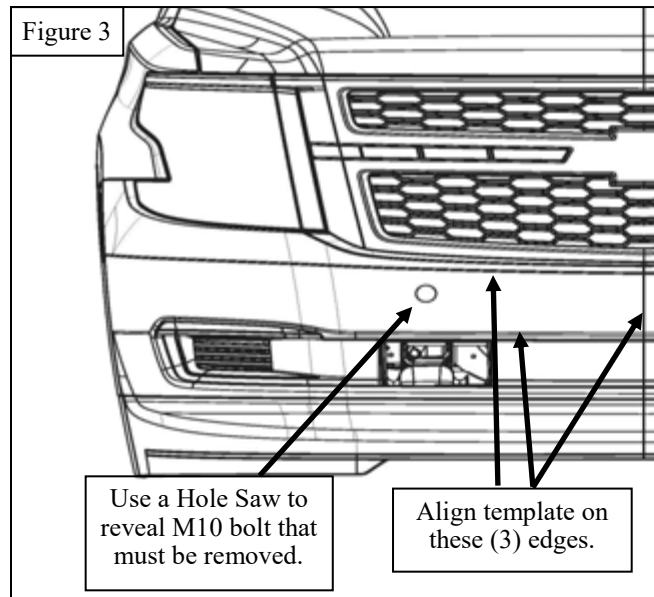
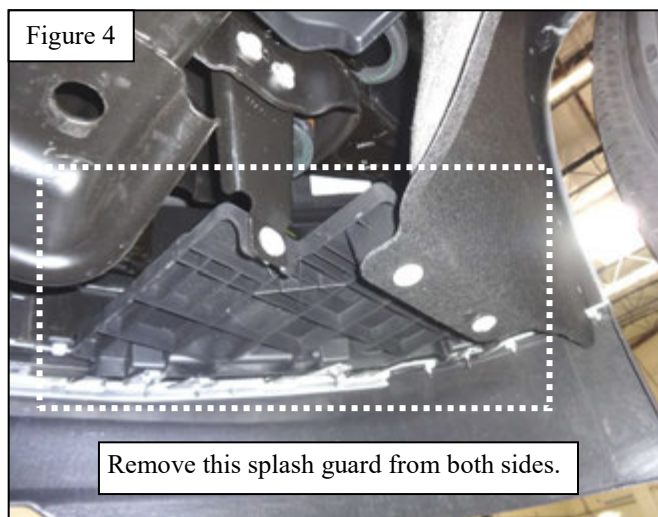


Figure 2

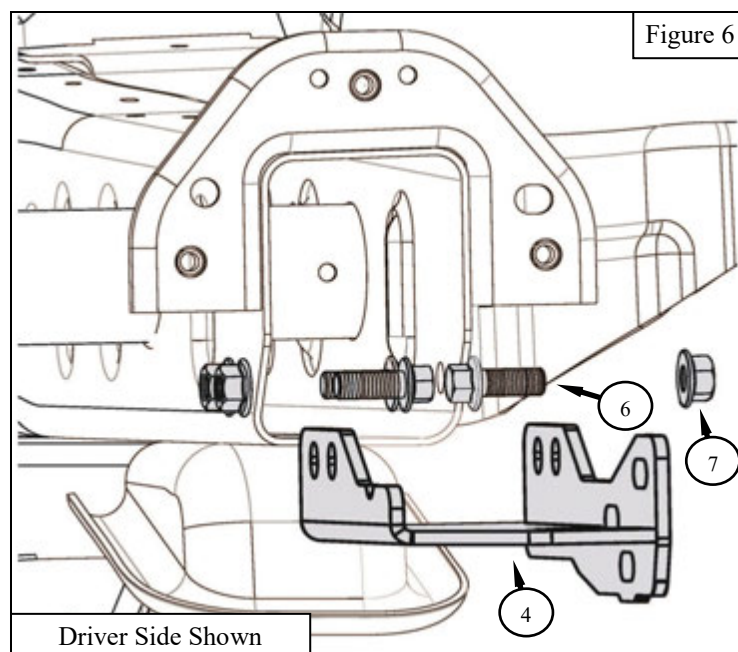
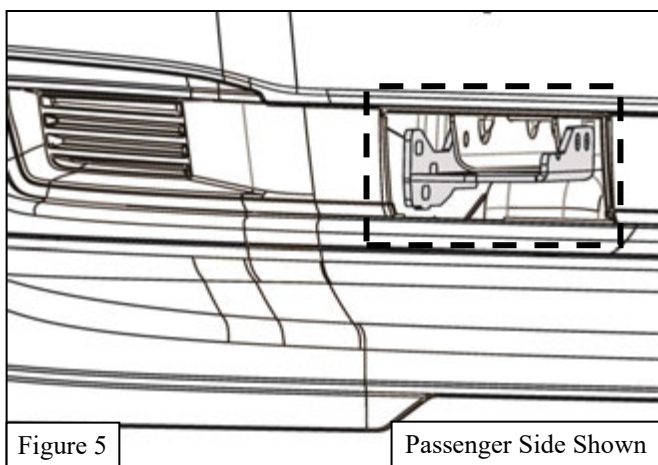
Figure 3



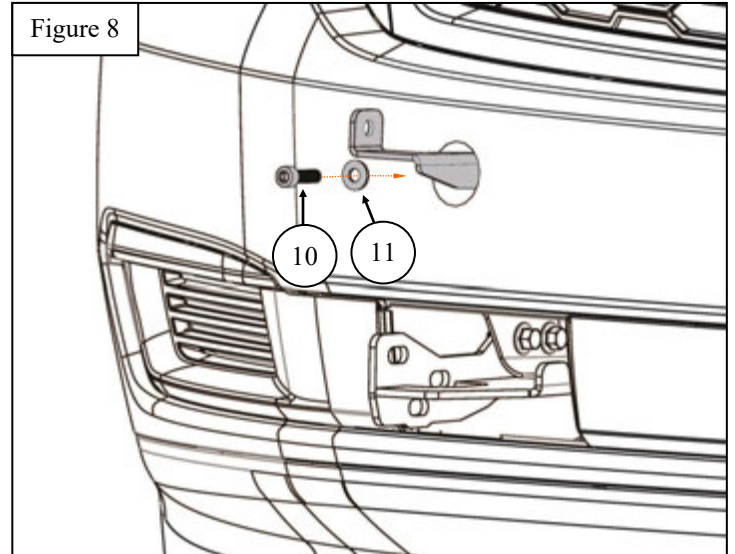
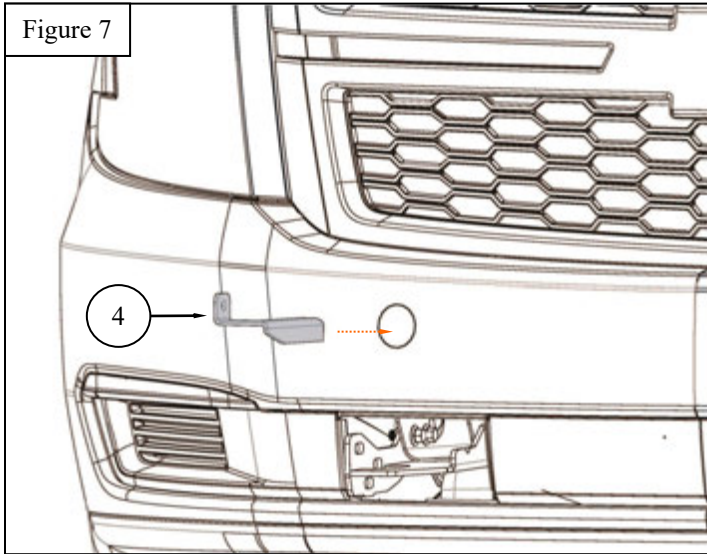
4. After drilling, locate the M10 bolt that must be removed through the hole created. See **Figure 3** for reference.
5. Locate the passenger and the driver sides splash shields on the underside of the vehicle and remove them. See **Figure 4** for reference. **Note:** Some models may have an underbody shield that covers the engine that will have to be removed.



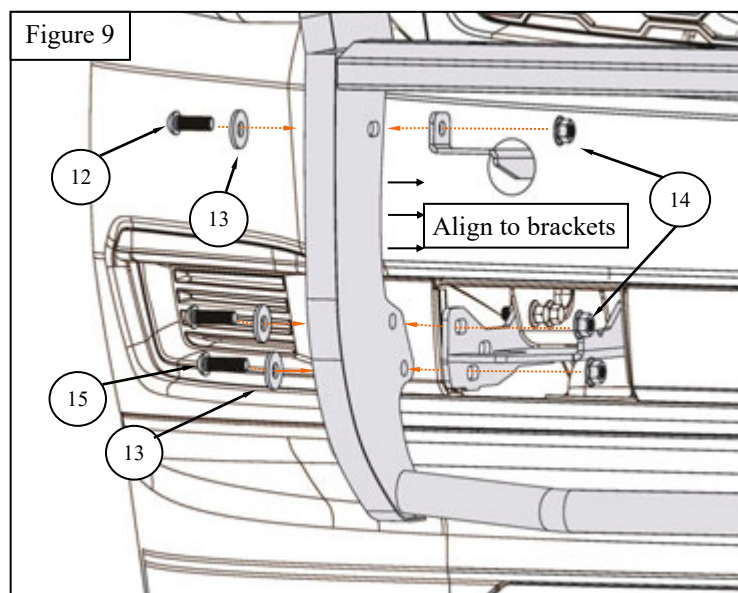
6. Locate the Passenger and Driver Side Lower Brackets (Items 6-7), and position each one where the rectangular piece is trimmed. See **Figure 5** for reference.
7. Loosely attach the Lower Bracket by using (3) M12 Hex Head Flange Bolts (Item 8) and (3) M12 Serrated Flange Nuts (Item 9). See **Figure 6** for reference.



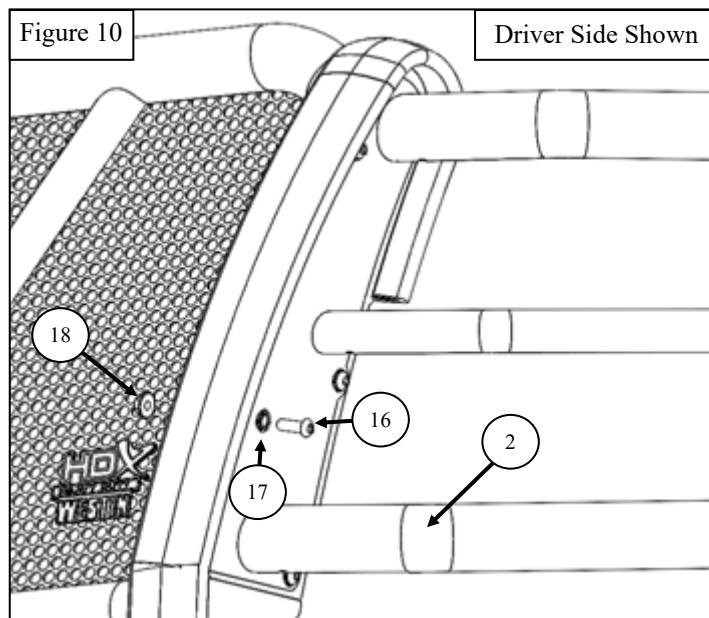
8. Locate the Upper Mounting Brackets (Items 4-5) and attach them to the frame where the circular 2" hole was created using the template. See **Figure 7** for reference.
9. Loosely attach the Upper Mounting Brackets by using (2) M10 Socket Head Bolts (Item 10) and (2) M10 Bellville Washers (Item 11). See **Figure 8** for reference.



10. Locate the Grille Guard Base (Item 1) and align it with the previously installed mounting brackets.
11. Attach the Grille Guard to the Bottom Brackets using (4) M12 Hex Socket Button Head Bolts (Item 15), (4) M12 Bellville Washers (Item 13) and (4) M12 Serrated Flange Nuts (Item 14). See **Figure 9** for reference.
12. Attach the Grille Guard to Upper Brackets using (2) M12 Hex Socket Button Head Bolts (Item 12), (2) M12 Bellville Washers (Item 13) and (2) M12 Serrated Flange Nuts (Item 14). See **Figure 9** for reference.



13. Locate and mount the HDX Driver and Passenger Wings (Items 2 & 3) to the HDX Grille Guard Base using the supplied M8 hardware (Items 16-18). See **Figure 10** for reference.
14. Align and adjust the HDX Grille Guard Base, HDX Wings, and mounting brackets as necessary. Tighten and torque all hardware as specified: M8 to 15-18 ft-lbs., M10 to 25-30 ft-lbs., and M12 to 50-55 ft-lbs.



INSTALLATION COMPLETE



CARE INSTRUCTIONS

- REGULAR WAXING IS RECOMMENDED. DO NOT USE ANY TYPE OF POLISH OR WAX THAT MAY CONTAIN ABRASIVES.
- STAINLESS STEEL PRODUCTS CAN BE CLEANED WITH MILD SOAP AND WATER. STAINLESS STEEL POLISH SHOULD BE USED TO POLISH SMALL SCRATCHES.
- GLOSS BLACK FINISHES SHOULD BE CLEANED WITH MILD SOAP AND WATER.

WESTIN

Westin Automotive Products, Inc.
320 W. Covina Blvd
San Dimas, Ca. 91773



WARNING



Failure to follow these instructions could lead to death, personal injury, and / or property damage.

Failure to follow these instructions could lead to death, personal injury, and / or property damage.

FASTENERS:

All Westin supplied fasteners must be utilized and installed in accordance with the installation instructions and apply torque to the specifications as defined. **DOUBLE CHECK ALL FASTENERS BEFORE INITIAL USE, AND PERIODICALLY IN THE FUTURE TO ENSURE PROPER FUNCTION AND SAFETY.**

DRILLING:

Most Westin products do not require drilling for installation. If drilling is defined as required, use caution when drilling a vehicle. **FAILURE TO REVIEW AN AREA TO BE DRILLED MAY RESULT IN PERSONAL INJURY AND/OR INJURY TO OTHERS AS WELL AS VEHICLE DAMAGE.**

EYE PROTECTION:

ALWAYS WEAR SAFETY GLASSES OR GOGGLES DURING THE INSTALLATION PROCESS TO AVOID PERSONAL INJURY.

MAXIMUM TOWING/CARRYING CAPACITY: (if applicable)

The Westin Receiver Hitches will have a visible tow rating label affixed directly on the product. User should never exceed the vehicle manufacturers maximum tow and weight rating regardless of the capacity of the hitch. **FAILURE TO FOLLOW THESE GUIDELINES WILL VOID THE WESTIN WARRANTY AND MAY RESULT IN PERSONAL INJURY AND/OR INJURY TO OTHERS AS WELL AS VEHICLE DAMAGE.**

FOR CALIFORNIA RESIDENTS ONLY-PROP 65 WARNING:

Some products may contain chemicals such as DEHP, which can cause cancer, birth defects or other reproductive harm. For more info go to www.p65warnings.ca.gov



Westin Automotive Products, Inc.
320 W. Covina Blvd
San Dimas, Ca. 91773