

INSTALLATION INSTRUCTIONS

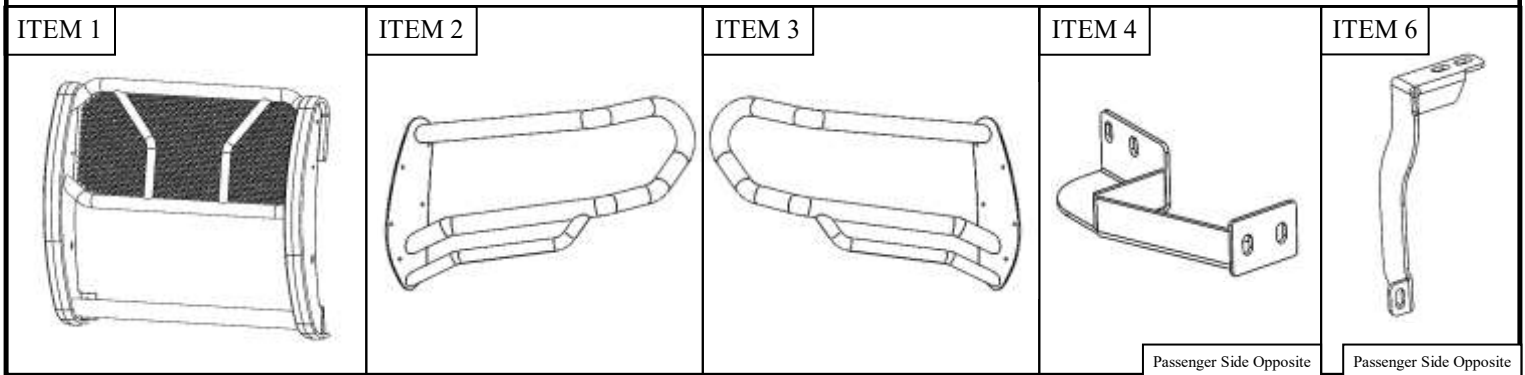


HDX MODULAR GRILLE GUARD

APPLICATION:
2014-2021 Toyota Tundra (Excl. w/ Sensors)
PART NUMBER:
57-23700, 57-23705

CONTENT			
ITEM	QUANTITY	DESCRIPTION	TOOLS NEEDED
1	1	HDX GRILLE GUARD BASE	13MM SOCKET
2	1	HDX DRIVER WING	14MM SOCKET
3	1	HDX PASSENGER WING	RATCHET
4	1	DRIVER LOWER MOUNTING BRACKET	TORQUE WRENCH
5	1	PASSENGER LOWER MOUNTING BRACKET	SCREWDRIVER
6	1	DRIVER UPPER SUPPORT BRACKET	ALLEN WRENCH
7	1	PASSENGER UPPER SUPPORT BRACKET	17MM SOCKET
8	6	M12 FLANGE NUTS	18MM SOCKET
9	4	M12 FLANGE BOLTS	18MM WRENCH
10	2	M12 BUTTON HEAD BOLTS	UTILITY KNIFE
11	2	M12 CUPPED WASHER	
12	10	M8 BUTTON HEAD HEX SOCKET BOLT	
13	10	M8 BELLVILLE WASHER	
14	10	M8 SERRATED FLANGE NUT	

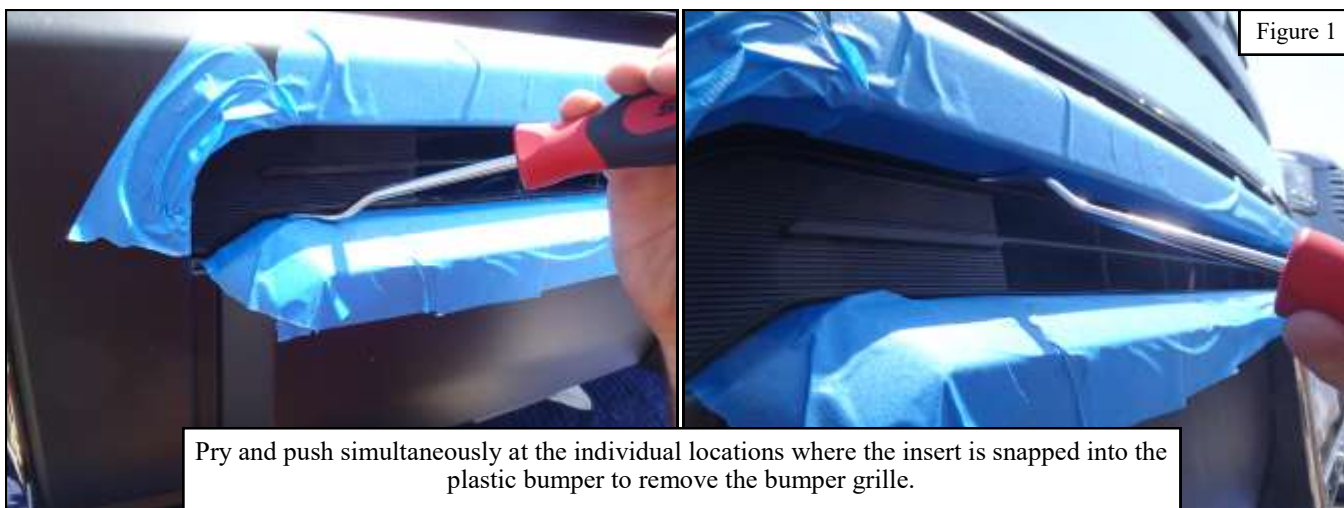
ANTI-SEIZE LUBRICANT MUST BE USED ON ALL STAINLESS STEEL FASTENERS TO PREVENT THREAD DAMAGE AND GALLING



PROCEDURE

1. Remove contents from box, verify if all parts listed are present and free from damage. Carefully read and understand all instructions before attempting installation.
Failure to identify damage before installation could lead to a rejection of any claim.

2. Remove the factory tow hooks and/or transport tie down loops from the front of the vehicle. Save the OEM factory M12 bolts since they will be re-used.
3. Remove the plastic bumper grille by pushing in and simultaneously prying up at each individual location where there is a plastic snap. See **Figure 1** for reference *Note: It is recommended to place masking tape on the plastic bumper first to avoid scratching it.*



Pry and push simultaneously at the individual locations where the insert is snapped into the plastic bumper to remove the bumper grille.

4. Remove the two upper factory M10 flange nuts from each side of the frame where the bumper brackets are mounted to the frame. See **Figure 2** for reference. *Note: Although a 14mm wrench can be used for this step, it is much easier with a 3/8" drive mid-length socket.*
5. Slip each Upper Support Bracket (Items 6 & 7) through the bumper grille opening and loosely attach them to the frame studs using the factory M10 flange nuts. See **Figure 3** for reference. *Note: It is recommended to slip the brackets in from the backside opening of the bumper as this makes it less likely to scratch the plastic bumper.*

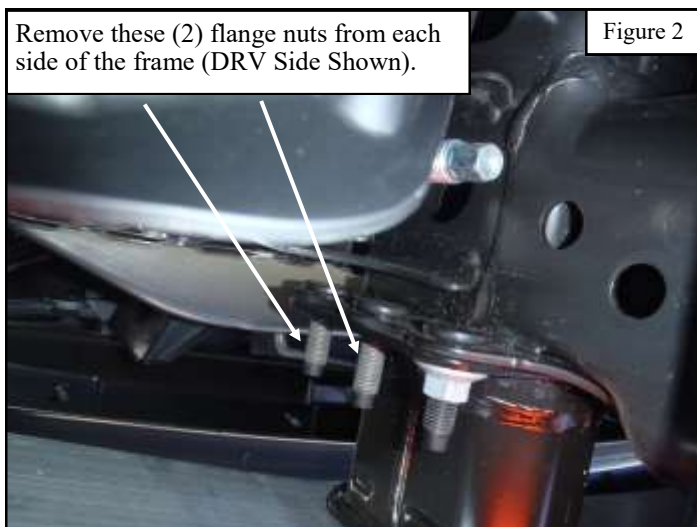


Figure 2

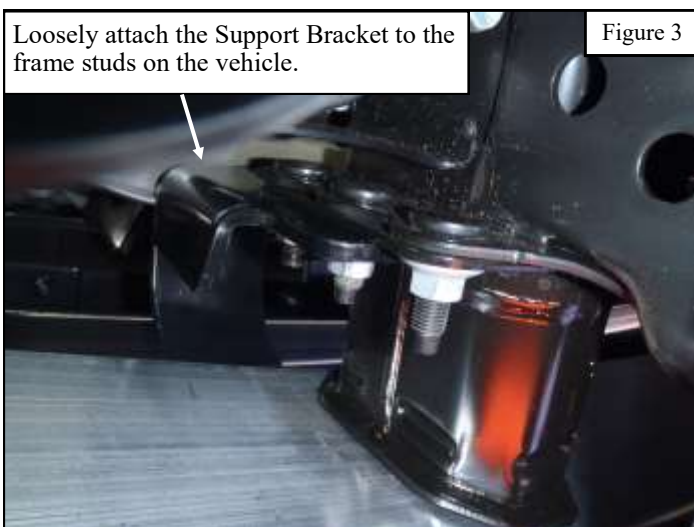
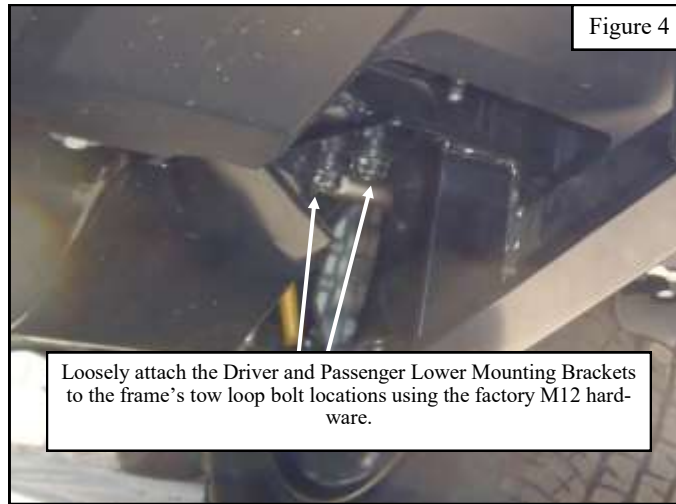
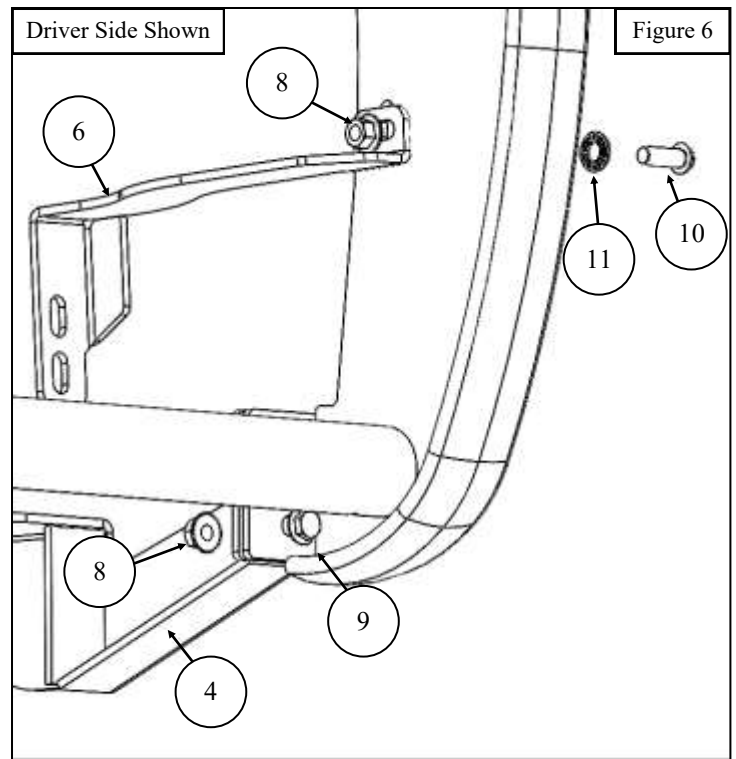


Figure 3

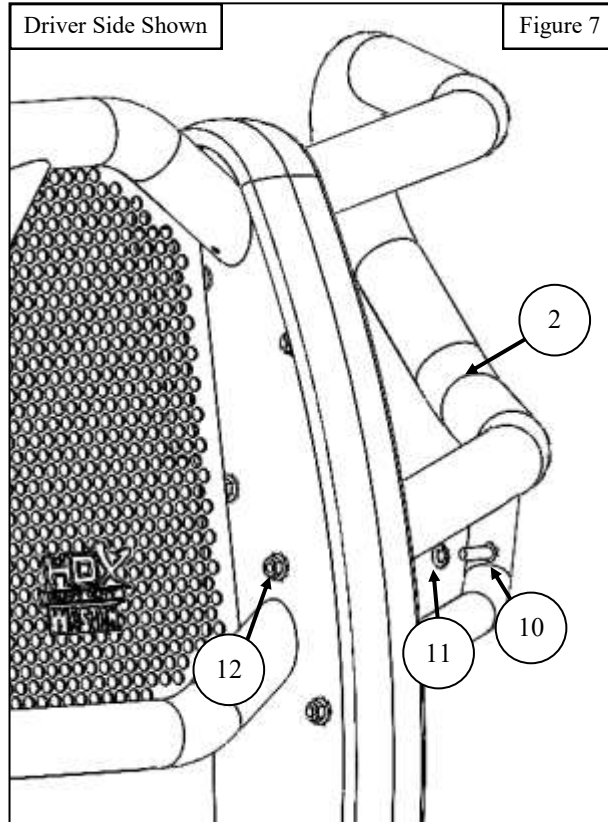
6. Trim the bumper grille insert as necessary then re-install it into the bumper opening.
7. Loosely install the Lower Mounting Brackets (Items 4 & 5) to the bottom of the frame at the tow hook locations using the factory hardware. See **Figure 4** for reference. **Note:** *The factory tow hooks/loops cannot be re-used.*



8. With assistance, loosely attach the HDX Grille Guard Base (Item 1) to the Upper and Lower Mounting Brackets using the supplied M12 hardware (Items 8-11). See **Figures 5 & 6** for reference.



9. Locate and install the HDX Driver and Passenger Wings (Items 2 & 3) using the supplied M8 hardware (Items 12-15). See **Figure 7** for reference.
10. Align and adjust the Modular Grille Guard assembly as necessary. Tighten and torque all hardware as specified: M8 to 15-18 ft-lbs., M10 to 25-30 ft-lbs., M12 to 45-50 ft-lbs.



Westin Automotive Products, Inc.
320 W. Covina Blvd
San Dimas, Ca. 91773

INSTALLATION COMPLETE



HDX Grille Guard Shown with Black Finish

CARE INSTRUCTIONS

- REGULAR WAXING IS RECOMMENDED. DO NOT USE ANY TYPE OF POLISH OR WAX THAT MAY CONTAIN ABRASIVES.
- STAINLESS STEEL PRODUCTS CAN BE CLEANED WITH MILD SOAP AND WATER. STAINLESS STEEL POLISH SHOULD BE USED TO POLISH SMALL SCRATCHES.
- GLOSS BLACK FINISHES SHOULD BE CLEANED WITH MILD SOAP AND WATER.

WESTIN

Westin Automotive Products, Inc.
320 W. Covina Blvd
San Dimas, Ca. 91773



WARNING



Failure to follow these instructions could lead to death, personal injury, and / or property damage.

Failure to follow these instructions could lead to death, personal injury, and / or property damage.

FASTENERS:

All Westin supplied fasteners must be utilized and installed in accordance with the installation instructions and apply torque to the specifications as defined. **DOUBLE CHECK ALL FASTENERS BEFORE INITIAL USE, AND PERIODICALLY IN THE FUTURE TO ENSURE PROPER FUNCTION AND SAFETY.**

DRILLING:

Most Westin products do not require drilling for installation. If drilling is defined as required, use caution when drilling a vehicle. **FAILURE TO REVIEW AN AREA TO BE DRILLED MAY RESULT IN PERSONAL INJURY AND/OR INJURY TO OTHERS AS WELL AS VEHICLE DAMAGE.**

EYE PROTECTION:

ALWAYS WEAR SAFETY GLASSES OR GOGGLES DURING THE INSTALLATION PROCESS TO AVOID PERSONAL INJURY.

MAXIMUM TOWING/CARRYING CAPACITY: (if applicable)

The Westin Receiver Hitches will have a visible tow rating label affixed directly on the product. User should never exceed the vehicle manufacturers maximum tow and weight rating regardless of the capacity of the hitch. **FAILURE TO FOLLOW THESE GUIDELINES WILL VOID THE WESTIN WARRANTY AND MAY RESULT IN PERSONAL INJURY AND/OR INJURY TO OTHERS AS WELL AS VEHICLE DAMAGE.**

FOR CALIFORNIA RESIDENTS ONLY-PROP 65 WARNING:

Some products may contain chemicals such as DEHP, which can cause cancer, birth defects or other reproductive harm. For more info go to www.p65warnings.ca.gov



Westin Automotive Products, Inc.
320 W. Covina Blvd
San Dimas, Ca. 91773