



INSTALLATION INSTRUCTIONS

HDX MODULAR GRILLE GUARD

APPLICATION:

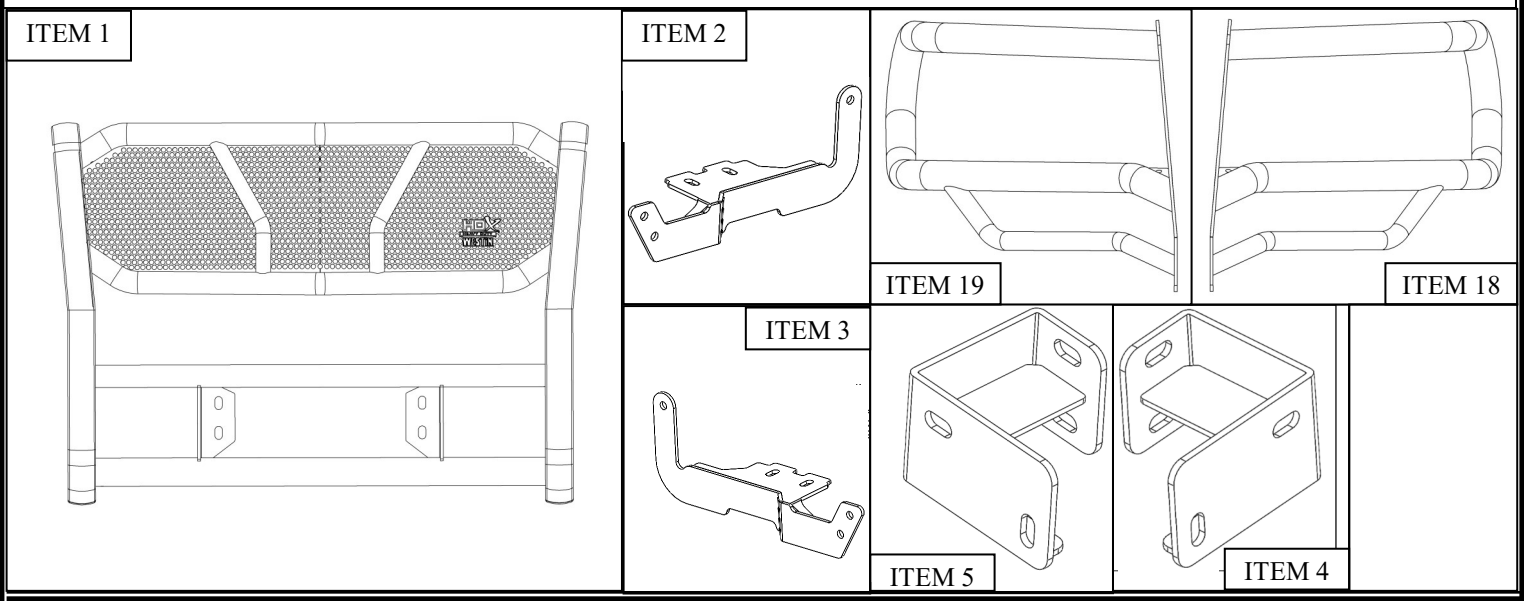
2009-2014 Ford F-150 (Excl. w/Sensors)

PART NUMBER:

57-22505

ITEM	QUANTITY	DESCRIPTION	TOOLS NEEDED
1	1	GRILLE GUARD	13MM SOCKET
2,3	2	LOWER MOUNTING BRACKETS (2) DRIVERS SIDE, (3) PASSENGER SIDE	18MM SOCKET
4,5	2	UPPER MOUNTING BRACKETS (4) DRIVERS SIDE, (5) PASSENGER SIDE	RATCHET
6	6	M12 HEX HEAD BOLTS	TORQUE WRENCH
7	4	M12 HEX NUTS	ALLEN
8	10	M12 FLAT WASHERS	
9	8	M12 LOCK WASHERS	
10	2	M12 STUD PLATES	
11	2	M12 DOUBLE NUT PLATES	
12	8	M12 HEX HEAD BOLTS (BLACK ZINC)	
13	8	M12 SMALL FLAT WASHERS (BLACK ZINC)	
14	8	M12 LARGE FLAT WASHERS (BLACK ZINC)	
15	8	M12 LOCK WASHERS (BLACK ZINC)	
16	8	M12 HEX NUTS (BLACK ZINC)	
17	2	PLASTIC RETAINERS	
18,19	2	WING, (18) DRIVER SIDE, (19) PASSENGER SIDE	
20	12	M8 BUTTON HEAD BOLT	
21	12	M8 BELLVILLE WASHER	
22	12	M8 SERRATED FLANGE NUT	

ANTI-SEIZE LUBRICANT MUST BE USED ON ALL STAINLESS STEEL FASTENERS TO PREVENT THREAD DAMAGE AND GALLING



WESTIN Westin Automotive Products, Inc.
320 W. Covina Blvd
San Dimas, Ca. 91773

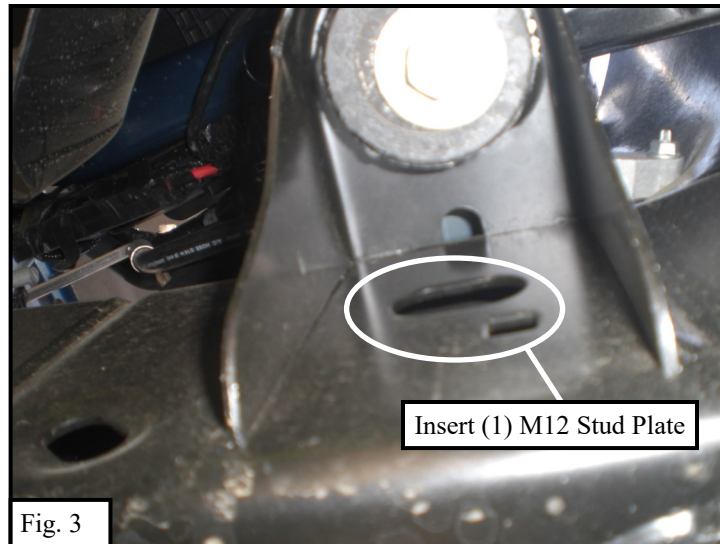
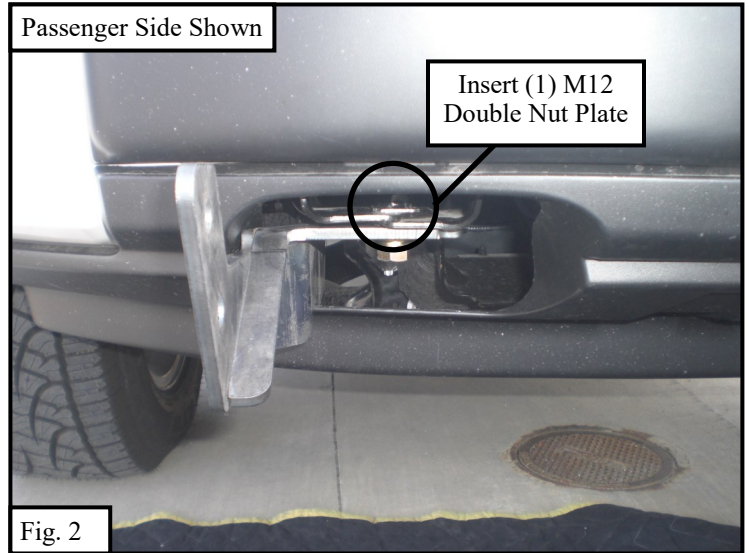
Thank you for choosing Westin products
for additional installation assistance please call
Customer Service (800) 793-7846

www.westinautomotive.com

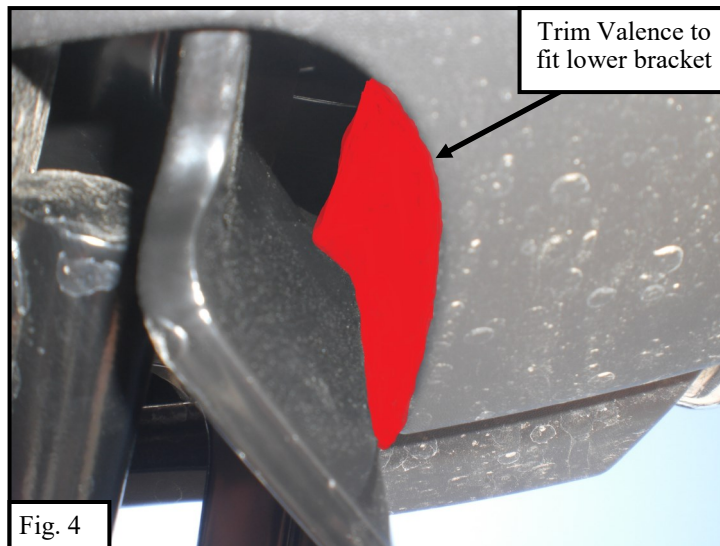
DATE: 11/10/2021

PROCEDURE

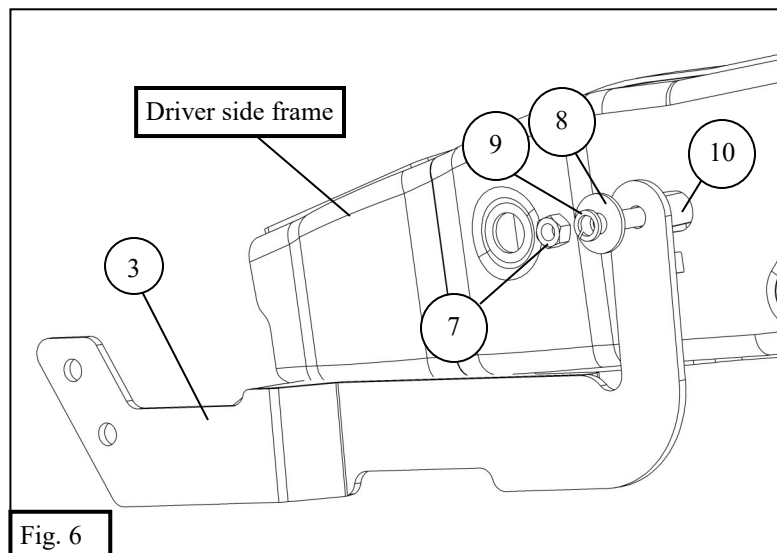
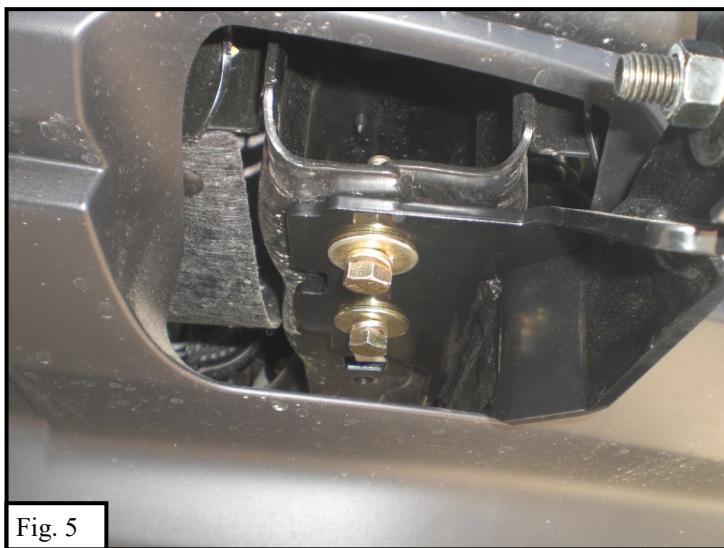
1. Remove contents from box, verify if all parts listed are present and free from damage.
Carefully read and understand all instructions before attempting installation.
Failure to identify damage before installation could lead to a rejection of any claim.
2. Starting from underneath the front of the vehicle, remove the factory air dam (**FIG 1**) and place it aside. Remove the factory tow hooks if so equipped.
3. Place (1) M12 double nut plate, where the factory nut plate to mount the tow hooks is located (**FIG 2**), next take (1) M12 stud plate and insert it into the frame slot shown in **FIG 3** thread a plastic retainer on the stud to prevent it from falling into the frame.



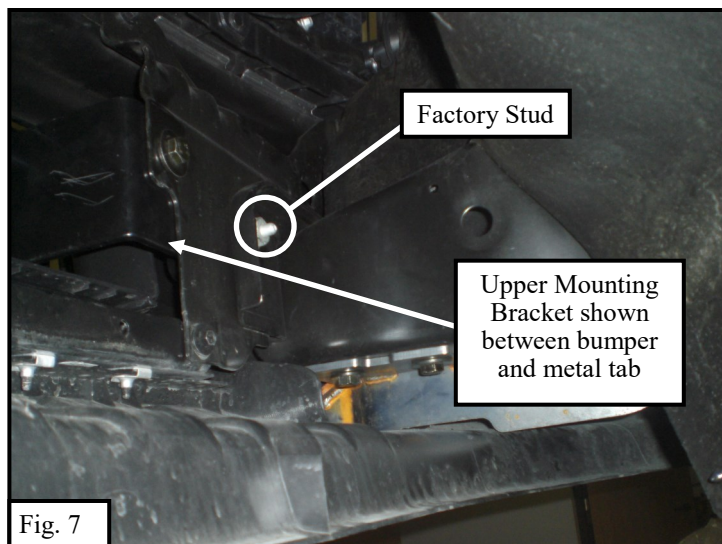
4. Take the drivers side lower mounting bracket and place it through the rear of the bumper through the tow hook pocket NOTE: the tow hook pocket must be trimmed in order to allow proper clearance (**FIG 4**).



5. Align the drivers side mounting bracket with the previously installed double nut plate and stud plate, attach the lower mounting bracket to the double nut plate using (2) M12 hex head bolts (2) M12 lock washers, and (2) M12 flat washers (**FIG 5**). NOTE : if the truck is equipped with tow hooks they may be reinstalled, place the tow hooks over the lower mounting bracket and install as they were removed.
6. Attach the lower mounting bracket to the stud plate using (1) M12 flat washer, (1) M12 lock washer, and (1) M12 Hex nut. (**FIG 6**) Do not fully tighten at this time. Repeat this step for the passenger side.



7. Move to the middle of the bumper and locate the factory bumper stud, remove this stud and take the drivers side upper mounting bracket/ the upper mounting bracket must be placed between the bumper and the metal tab behind the bumper (**FIG 7**). Once placed between the bumper and the metal tab, re install the factory bumper stud. Attach the upper mounting bracket to the existing hole in the bumper using (1) M12 hex head bolt (2) M12 flat washers, (1) M12 lock washer, and (1) M12 hex nut. Do not fully tighten at this time. Repeat this step for the passenger side. (**FIG 7**)



8. With assistance take the grille guard and align it with the installed mounting brackets, attach the grille guard to the lower mounting brackets using (4) M12 hex head bolts (black zinc), (8) M12 small flat washers (black zinc), (4) M12 lock washers (black zinc), and (4) M12 hex nuts (black zinc) (**FIG 8**). Attach the grille guard to the upper mounting brackets using (4) M12 hex head bolts (black zinc), (8) M12 large flat washers (black zinc), (4) M12 lock washers (black zinc), and (4) M12 hex nuts (black zinc) (**FIG 9**). Do not fully tighten at this time.



INSTALLATION COMPLETE



CARE INSTRUCTIONS

- REGULAR WAXING IS RECOMMENDED. DO NOT USE ANY TYPE OF POLISH OR WAX THAT MAY CONTAIN ABRASIVES.
- STAINLESS STEEL PRODUCTS CAN BE CLEANED WITH MILD SOAP AND WATER. STAINLESS STEEL POLISH SHOULD BE USED TO POLISH SMALL SCRATCHES.
- GLOSS BLACK FINISHES SHOULD BE CLEANED WITH MILD SOAP AND WATER.

WESTIN Westin Automotive Products, Inc.
320 W. Covina Blvd
San Dimas, Ca. 91773

P.N.: 75-5722505-RevA

ECO #: W21-0089

6

Thank you for choosing Westin products
for additional installation assistance please call
Customer Service (800) 793-7846
www.westinautomotive.com

DATE: 11/10/2021



WARNING



Failure to follow these instructions could lead to death, personal injury, and / or property damage.

Failure to follow these instructions could lead to death, personal injury, and / or property damage.

FASTENERS:

All Westin supplied fasteners must be utilized and installed in accordance with the installation instructions and apply torque to the specifications as defined. **DOUBLE CHECK ALL FASTENERS BEFORE INITIAL USE, AND PERIODICALLY IN THE FUTURE TO ENSURE PROPER FUNCTION AND SAFETY.**

DRILLING:

Most Westin products do not require drilling for installation. If drilling is defined as required, use caution when drilling a vehicle. **FAILURE TO REVIEW AN AREA TO BE DRILLED MAY RESULT IN PERSONAL INJURY AND/OR INJURY TO OTHERS AS WELL AS VEHICLE DAMAGE.**

EYE PROTECTION:

ALWAYS WEAR SAFETY GLASSES OR GOGGLES DURING THE INSTALLATION PROCESS TO AVOID PERSONAL INJURY.

MAXIMUM TOWING/CARRYING CAPACITY: (if applicable)

The Westin Receiver Hitches will have a visible tow rating label affixed directly on the product. User should never exceed the vehicle manufacturers maximum tow and weight rating regardless of the capacity of the hitch. **FAILURE TO FOLLOW THESE GUIDELINES WILL VOID THE WESTIN WARRANTY AND MAY RESULT IN PERSONAL INJURY AND/OR INJURY TO OTHERS AS WELL AS VEHICLE DAMAGE.**

FOR CALIFORNIA RESIDENTS ONLY-PROP 65 WARNING:

Some products may contain chemicals such as DEHP, which can cause cancer, birth defects or other reproductive harm. For more info go to www.p65warnings.ca.gov



Westin Automotive Products, Inc.
320 W. Covina Blvd
San Dimas, Ca. 91773