

INSTALLATION INSTRUCTIONS

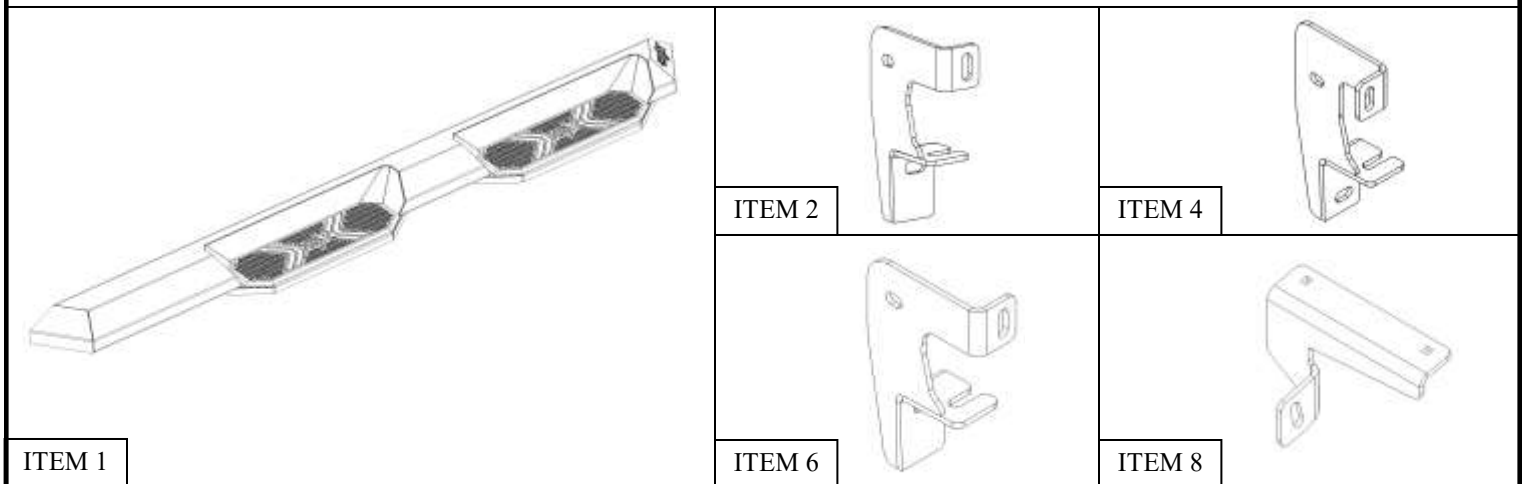


HDX XTREME BOARDS

APPLICATION:
2018-2023 Jeep Wrangler JL Unlimited 4dr
PART NUMBER:
56-24075

CONTENT			
ITEM	QUANTITY	DESCRIPTION	TOOLS NEEDED
1	2	STEP BAR ASSEMBLY (1 DRIVER, 1 PASSENGER)	RATCHET
2, 3	2	FRONT MOUNTING BRACKET (1 DRIVER, 1 PASSENGER)	TORQUE WRENCH
4, 5	2	CENTER MOUNTING BRACKET (1 DRIVER, 1 PASSENGER)	10MM SOCKET
6, 7	2	REAR MOUNTING BRACKET (1 DRIVER, 1 PASSENGER)	13MM SOCKET
8	3	SUPPORT BRACKET A	13MM WRENCH
9	3	SUPPORT BRACKET B	SOCKET EXT.
10	6	M8 U-NUT (YELLOW ZINC)	ALLEN WRENCH
11	24	M8 HEX HEAD CAP SCREW (YELLOW ZINC)	
12	24	M8 SPLIT LOCK WASHER (YELLOW ZINC)	
13	6	M8 HEX NUT (YELLOW ZINC)	
14	30	M8 FLAT WASHER (YELLOW ZINC)	
15	12	M6 HEX NUT (YELLOW ZINC)	
16	12	M6 SPLIT LOCK WASHER (YELLOW ZINC)	
17	12	M6 FLAT WASHER (YELLOW ZINC)	
18	12	M6 CARRIAGE BOLT (BLACK ZINC)	

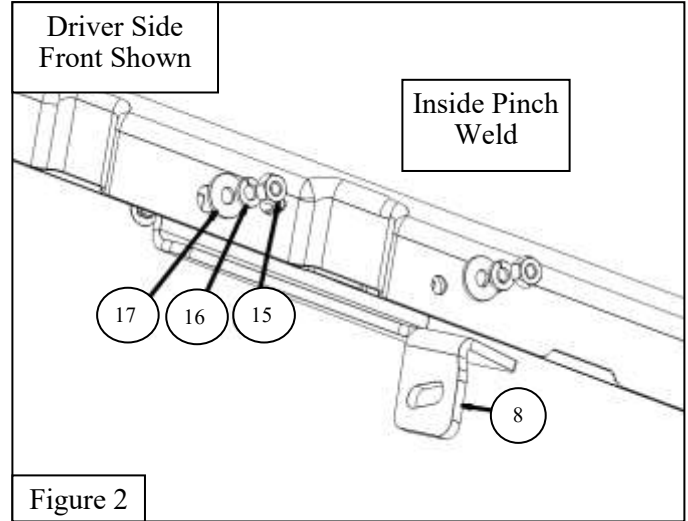
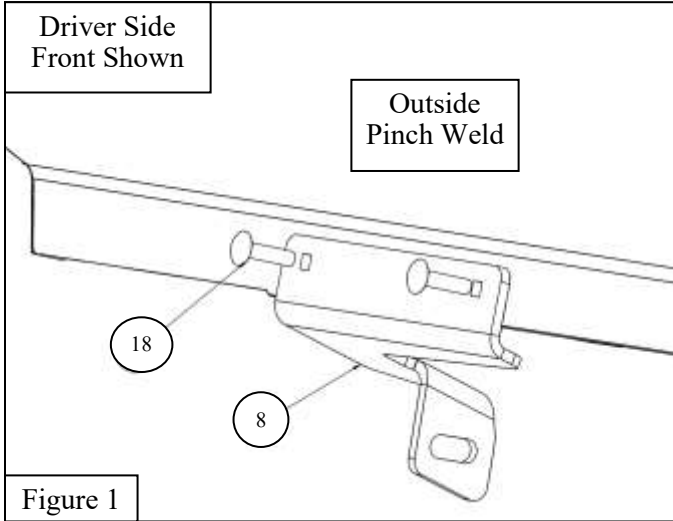
ANTI-SEIZE LUBRICANT MUST BE USED ON ALL STAINLESS STEEL FASTENERS TO PREVENT THREAD DAMAGE AND GALLING



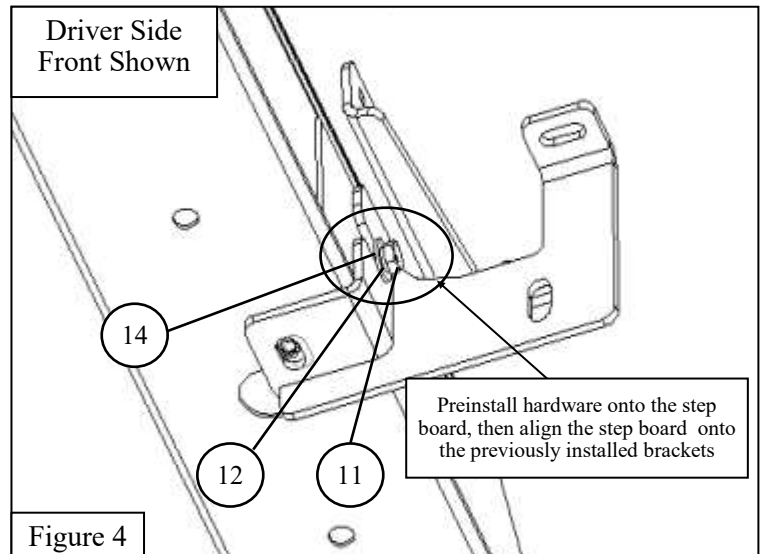
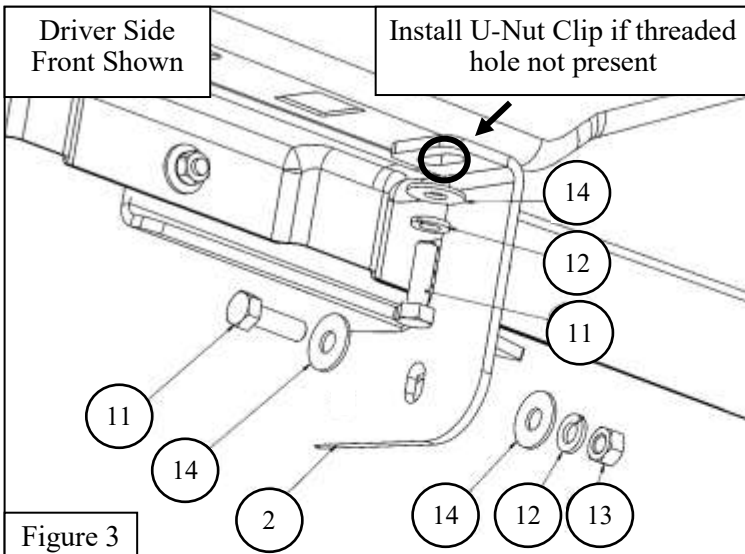
DRIVER SIDE ITEMS SHOWN, PASSENGER SIDE OPPOSITE

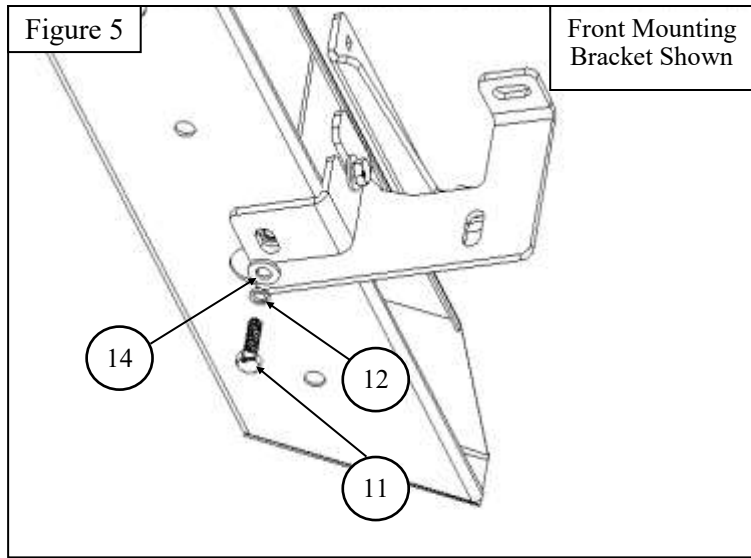
PROCEDURE

1. Remove contents from box, verify if all parts listed are present and free from damage. Carefully read and understand all instructions before attempting installation.
Failure to identify damage before installation could lead to a rejection of any claim.
2. Starting at the front mounting location, locate (2) Support Bracket A (Item 8) and (1) Support Bracket B (Item 9). Loosely secure the brackets using the supplied M6 hardware as shown in Figure 1 & Figure 2. **Note:** See Figure 6 & 7 for bracket orientation.



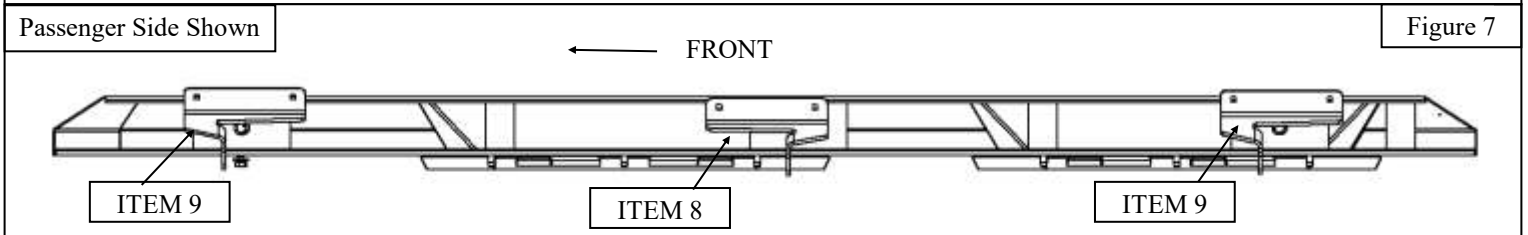
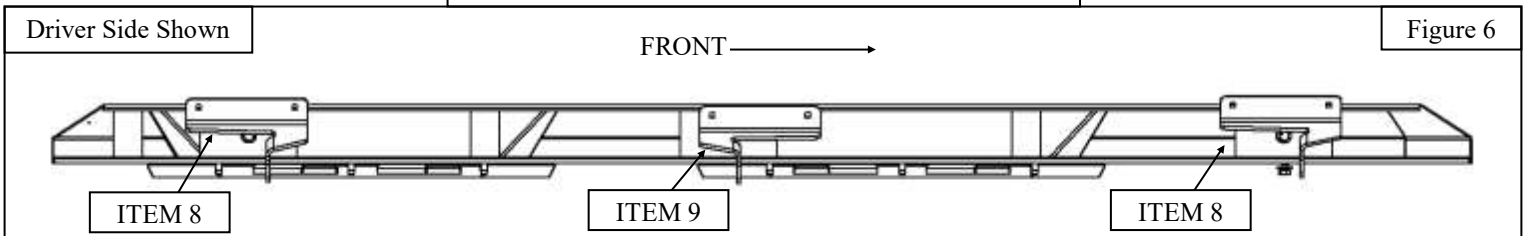
3. On the driver's side of the vehicle, loosely install the front, center and rear mounting brackets (Items 2, 4 & 6) onto the previously installed support brackets as shown in Figure 3. **Note:** See Figures 8 & 9 for bracket orientation and locations.
4. Locate (1) HDX Running Board (Item 1) and loosely secure it onto the previously installed mounting brackets using the provided M8 hardware. **Note:** Partially insert the M8 hardware into the step bar and slide the step bar with the hardware onto the slotted mounting brackets. See Figure 4 & 5 for reference.
5. Tighten the hardware as much as possible while still having room for adjustment of the step board.



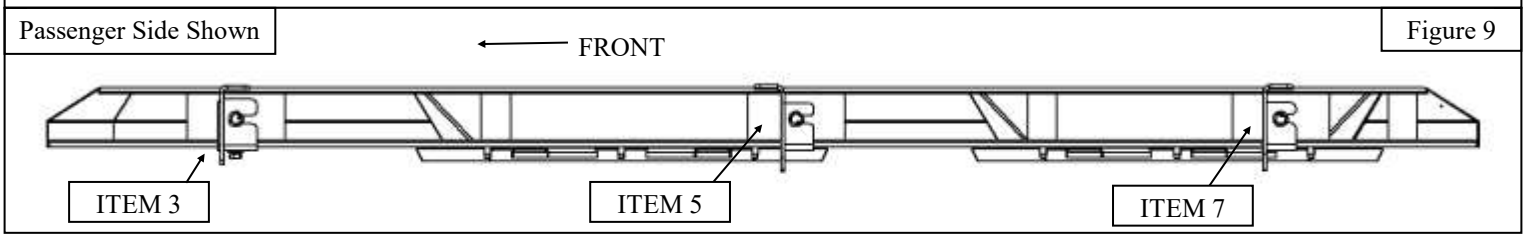
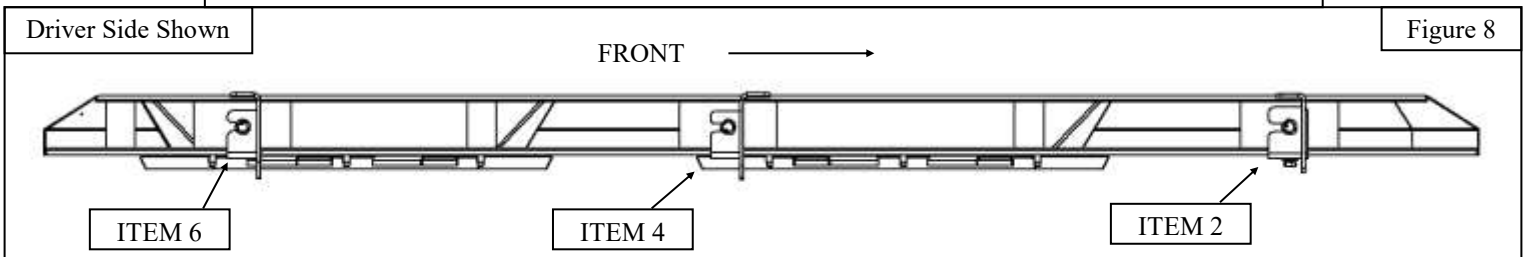


6. Repeat **steps 2 through 5** for the passenger side.
7. Align and adjust the step boards and brackets to the desired positioning. Tighten and torque all hardware as specified: M6 hardware to 7-10 ft-lbs., M8 hardware to 15-20 ft-lbs.

Support Bracket Orientations



Note: Support Brackets not shown for better view of Mounting Brackets. See Figures 6 & 7 for Support Bracket Orientation.



INSTALLATION COMPLETE



CARE INSTRUCTIONS

- REGULAR WAXING IS RECOMMENDED. DO NOT USE ANY TYPE OF POLISH OR WAX THAT MAY CONTAIN ABRASIVES
- STAINLESS STEEL PRODUCTS CAN BE CLEANED WITH MILD SOAP AND WATER. STAINLESS STEEL POLISH SHOULD BE USED TO POLISH SMALL SCRATCHES.
- GLOSS BLACK FINISHES SHOULD BE CLEANED WITH MILD SOAP AND WATER

WESTIN Westin Automotive Products, Inc.
320 W. Covina Blvd
San Dimas, Ca. 91773

P.N.: 75-562407-RevB

ECO #: W22-0077

Thank you for choosing Westin products
for additional installation assistance please call
Customer Service (800) 793-7846
www.westinautomotive.com
DATE: 09/21/2022



WARNING



Failure to follow these instructions could lead to death, personal injury, and / or property damage.

FASTENERS:

All Westin supplied fasteners must be utilized and installed in accordance with the installation instructions and apply torque to the specifications as defined. **DOUBLE CHECK ALL FASTENERS BEFORE INITIAL USE, AND PERIODICALLY IN THE FUTURE TO ENSURE PROPER FUNCTION AND SAFETY.**

DRILLING:

Most Westin products do not require drilling for installation. If drilling is defined as required, use caution when drilling a vehicle. **FAILURE TO REVIEW AN AREA TO BE DRILLED MAY RESULT IN PERSONAL INJURY AND/OR INJURY TO OTHERS AS WELL AS VEHICLE DAMAGE.**

EYE PROTECTION:

ALWAYS WEAR SAFETY GLASSES OR GOGGLES DURING THE INSTALLATION PROCESS TO AVOID PERSONAL INJURY.

MAXIMUM TOWING/CARRYING CAPACITY:

The Westin Receiver Hitches will have a visible tow rating label affixed directly on the product. User should never exceed the vehicle manufacturers maximum tow and weight rating regardless of the capacity of the hitch. **FAILURE TO FOLLOW THESE GUIDELINES WILL VOID THE WESTIN WARRANTY AND MAY RESULT IN PERSONAL INJURY AND/OR INJURY TO OTHERS AS WELL AS VEHICLE DAMAGE.**



Westin Automotive Products, Inc.
320 W. Covina Blvd
San Dimas, Ca. 91773