

INSTALLATION INSTRUCTIONS

HDX RUNNING BOARDS

**APPLICATION:**

2019-2024 CHEVROLET/GMC SILVERADO/SIERRA 1500 DOUBLE CAB
(Excl. 2019 SILVERADO LD/SIERRA 1500 LIMITED)

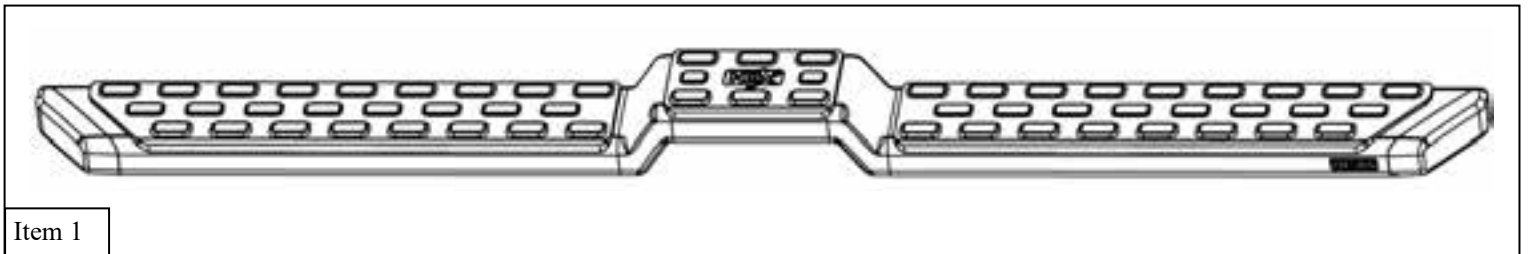
2020-2024 CHEVROLET/GMC SILVERADO/SIERRA 2500/3500 DOUBLE CAB

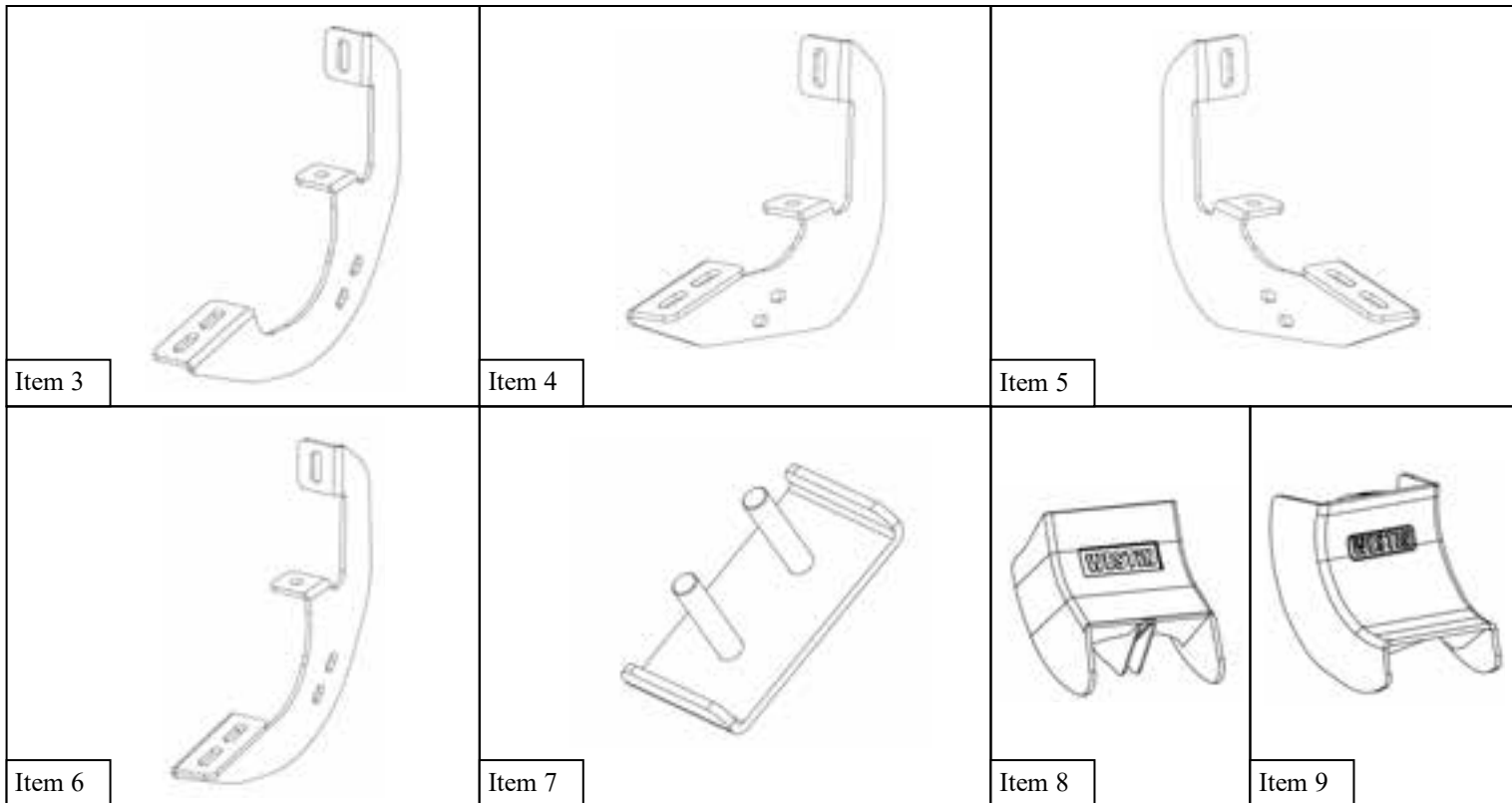
PART NUMBER:

55-34125

CONTENT			
ITEM	QUANTITY	DESCRIPTION	TOOLS NEEDED
1	1	DRIVER STEP BAR	13MM SOCKET
2	1	PASSENGER STEP BAR	13MM WRENCH
3	3	MOUNTING BRACKET A	15MM SOCKET
4	1	MOUNTING BRACKET B	15MM WRENCH
5	1	MOUNTING BRACKET C	RATCHET
6	1	MOUNTING BRACKET D	TORQUE WRENCH
7	6	ADAPTER PLATE	
8	2	SMALL BRACKET COVER	
9	4	LARGE BRACKET COVER	
10	12	M6 HEX HEAD CAP SCREW (YELLOW ZINC)	
11	24	M6 FLAT WASHER (YELLOW ZINC)	
12	12	M6 NYLON LOCK NUT (YELLOW ZINC)	
13	12	M8 SEMS HARDWARE (BLACK ZINC)	
14	12	M8 HEX NUT (BLACK ZINC)	
15	12	M8 SPLIT LOCK WASHER (BLACK ZINC)	
16	12	M8 FLAT WASHER (BLACK ZINC)	

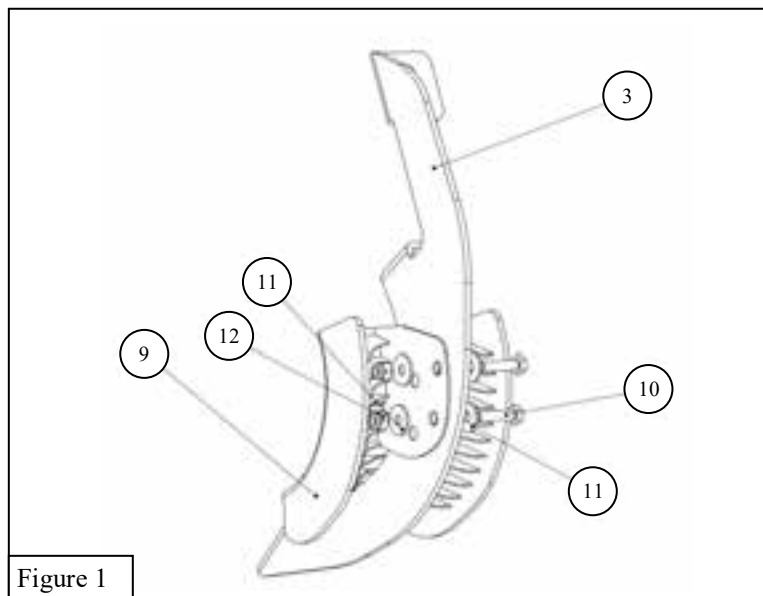
ANTI-SEIZE LUBRICANT MUST BE USED ON ALL STAINLESS STEEL FASTENERS TO PREVENT THREAD DAMAGE AND GALLING





PROCEDURE

1. Remove contents from box, verify that all parts listed are present and free from damage. Carefully read and understand all instructions before attempting installation.
Failure to identify damage before installation could lead to a rejection of any claim.
2. Loosely install Small Bracket Covers (**item 8**) onto Mounting Bracket B (**item 4**) and Mounting Bracket C (**item 5**) using the M6 hardware (**items 10-12**). See **Figure 1**.
3. Loosely install Large Bracket Covers (**item 9**) onto the Mounting Brackets A (**item 3**) and Mounting Bracket D (**item 6**) using the M6 hardware (**items 10-12**). See **Figure 1**.



4. Locate the mounting locations on the rocker panel and remove the rubber plugs covering the threaded holes.
Note: If threaded holes are not on the truck's rocker panel, remove the rubber plugs located on the rocker panel at each mounting location and insert nut clips.
5. Loosely install the Mounting Brackets (**items 3-6**) onto the rocker panel using the M8 SEMS Hardware (**item 13**). See **Figures 2-4**.

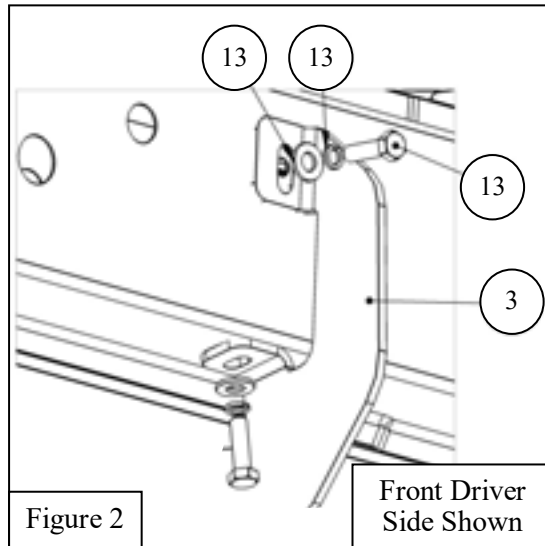


Figure 2

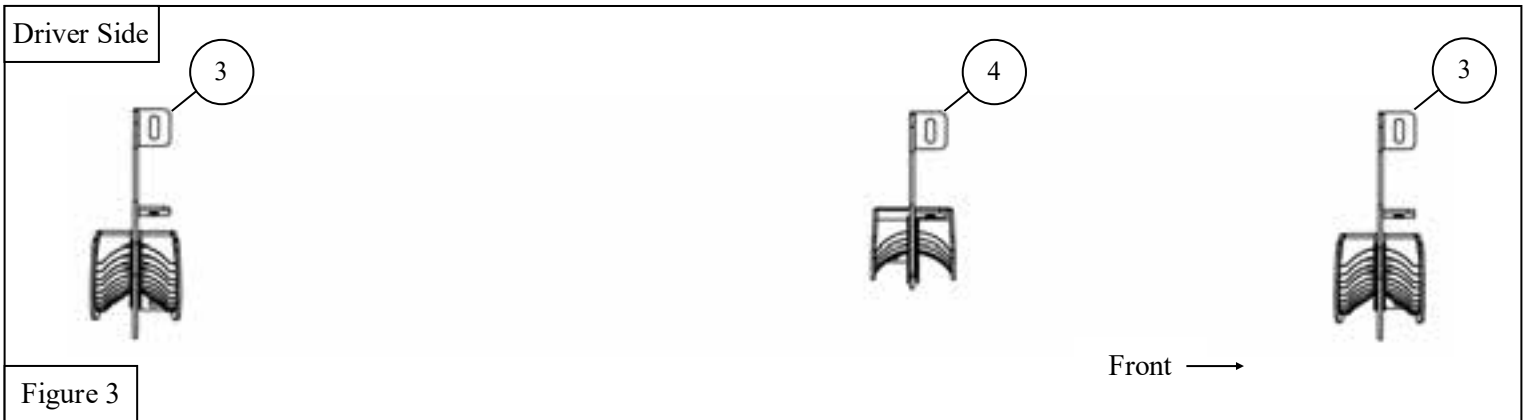


Figure 3

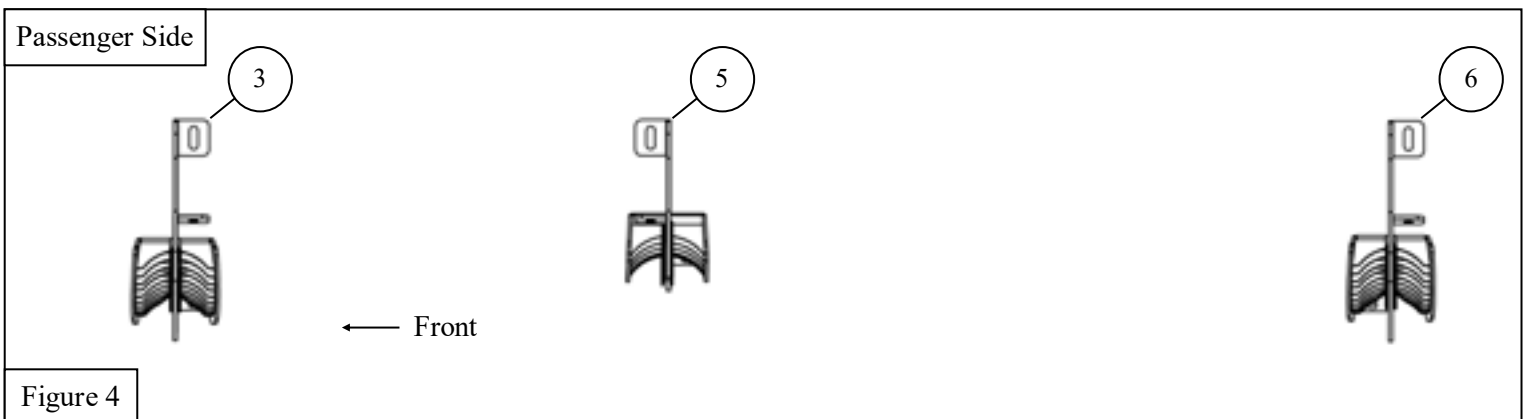


Figure 4

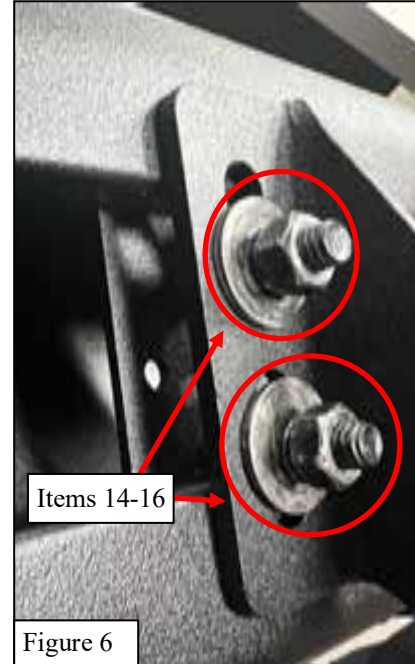
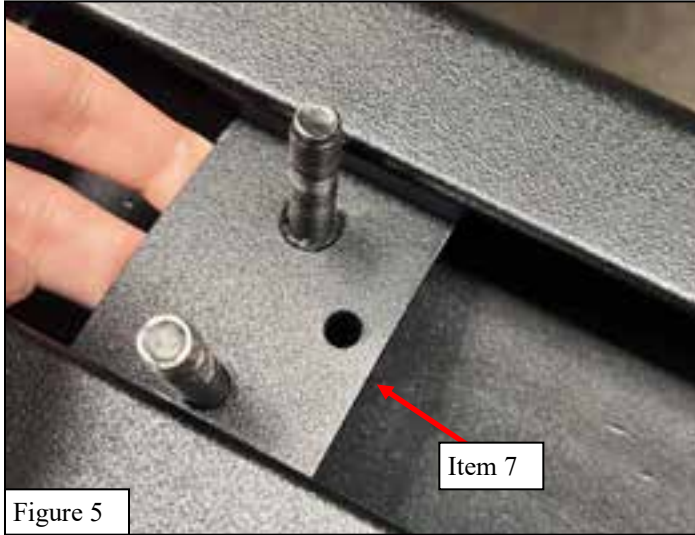
6. Insert the Adapter Plates (**item 7**) into Step Bars (**items 1 and 2**) by first putting them in parallel to the board, then turning them 90 degrees to be perpendicular to the board. Make sure the plate hooks onto the bottom of the bracket, and the screws are facing outwards. See **Figure 5**.

Note: Put 2 adapter plates in the front side and 1 in the back.

7. Install the running boards onto the previously installed brackets using the supplied M8 hardware (**items 14-16**). See **Figure 6**.

Note: Make sure the plate adapters align with the brackets to attach the board to the mounting brackets.

8. Align the step bars and brackets to desired positioning and tighten hardware to the following specifications: M8 hardware to 20ft-lbs and M6 hardware to 7.4 ft-lbs.



CARE INSTRUCTIONS

- REGULAR WAXING IS RECOMMENDED. DO NOT USE ANY TYPE OF POLISH OR WAX THAT MAY CONTAIN ABRASIVES.
- STAINLESS STEEL PRODUCTS CAN BE CLEANED WITH MILD SOAP AND WATER. STAINLESS STEEL POLISH SHOULD BE USED TO POLISH SMALL SCRATCHES.
- GLOSS BLACK FINISHES SHOULD BE CLEANED WITH MILD SOAP AND WATER.



WARNING



Failure to follow these instructions could lead to death, personal injury, and / or property damage.

Failure to follow these instructions could lead to death, personal injury, and / or property damage.

FASTENERS:

All Westin supplied fasteners must be utilized and installed in accordance with the installation instructions and apply torque to the specifications as defined. **DOUBLE CHECK ALL FASTENERS BEFORE INITIAL USE, AND PERIODICALLY IN THE FUTURE TO ENSURE PROPER FUNCTION AND SAFETY.**

DRILLING:

Most Westin products do not require drilling for installation. If drilling is defined as required, use caution when drilling a vehicle. **FAILURE TO REVIEW AN AREA TO BE DRILLED MAY RESULT IN PERSONAL INJURY AND/OR INJURY TO OTHERS AS WELL AS VEHICLE DAMAGE.**

EYE PROTECTION:

ALWAYS WEAR SAFETY GLASSES OR GOGGLES DURING THE INSTALLATION PROCESS TO AVOID PERSONAL INJURY.

MAXIMUM TOWING/CARRYING CAPACITY: (if applicable)

The Westin Receiver Hitches will have a visible tow rating label affixed directly on the product. User should never exceed the vehicle manufacturers maximum tow and weight rating regardless of the capacity of the hitch. **FAILURE TO FOLLOW THESE GUIDELINES WILL VOID THE WESTIN WARRANTY AND MAY RESULT IN PERSONAL INJURY AND/OR INJURY TO OTHERS AS WELL AS VEHICLE DAMAGE.**

FOR CALIFORNIA RESIDENTS ONLY-PROP 65 WARNING:

Some products may contain chemicals such as DEHP, which can cause cancer, birth defects or other reproductive harm. For more info go to www.p65warnings.ca.gov



Westin Automotive Products, Inc.
320 W. Covina Blvd
San Dimas, Ca. 91773

Thank you for choosing Westin products
for additional installation assistance please call
Customer Service (800) 793-7846
www.westinautomotive.com