

INSTALLATION INSTRUCTIONS

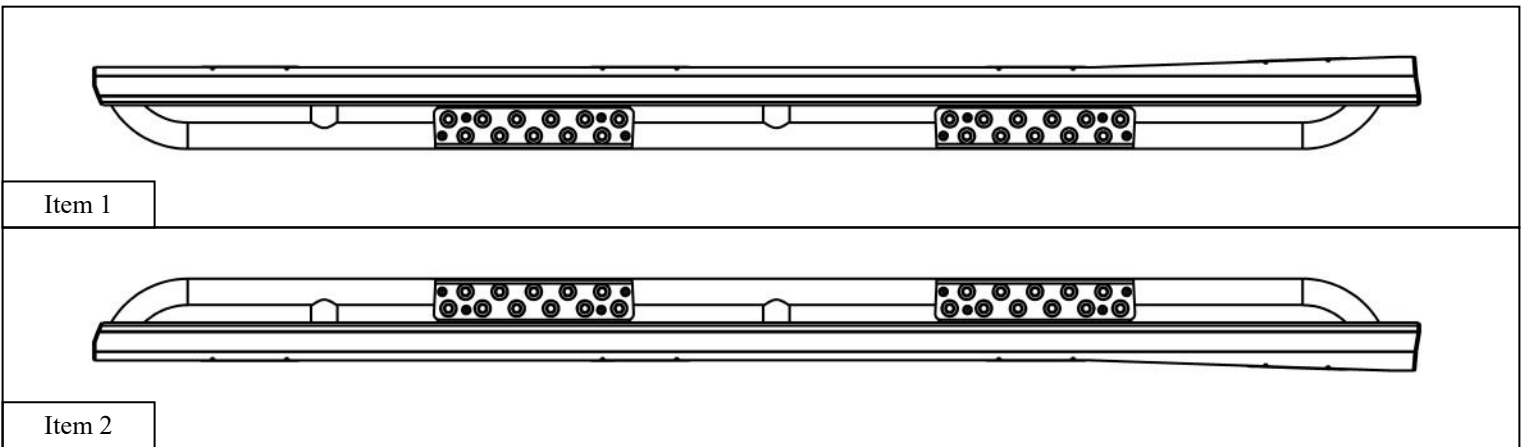
XTS ROCK SLIDER

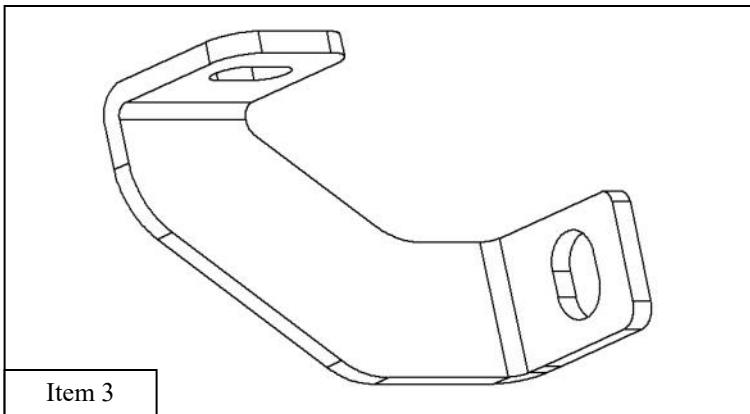


APPLICATION:
2020-2022 Jeep Gladiator
PART NUMBER:
42-14165

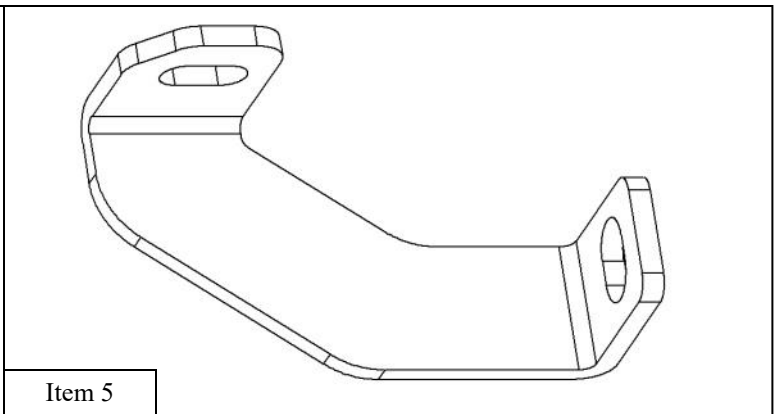
CONTENT			
ITEM	QUANTITY	DESCRIPTION	TOOLS NEEDED
1	1	XTS ROCK SLIDER DRIVER SIDE	10MM SOCKET
2	1	XTS ROCK SLIDER PASSENGER SIDE	13MM SOCKET
3	1	DRIVER MOUNT BRACKET "A"	13MM WRENCH
4	1	PASSENGER MOUNT BRACKET "A"	15MM SOCKET
5	1	DRIVER MOUNT BRACKET "B"	15MM WRENCH
6	1	PASSENGER MOUNT BRACKET "B"	TORQUE WRENCH
7	1	DRIVER MOUNT BRACKET "C"	RATCHET
8	1	PASSENGER MOUNT BRACKET "C"	
9	1	DRIVER MOUNT BRACKET "D"	
10	1	PASSENGER MOUNT BRACKET "D"	
11	8	M10 HEX HEAD CAP SCREW	
12	8	M10 SPLIT LOCK WASHER	
13	8	M10 FLAT WASHER	
14	8	M8 U-NUT CLIP	
15	8	M8 HEX HEAD CAP SCREW	
16	8	M8 SPLIT LOCK WASHER	
17	8	M8 FLAT WASHER	
18	16	M6 HEX NUT	
19	16	M6 FLAT WASHER	
20	16	M6 SPLIT LOCK WASHER	
21	16	M6 BOLT PLATE	

ANTI-SEIZE LUBRICANT MUST BE USED ON ALL STAINLESS STEEL FASTENERS TO PREVENT THREAD DAMAGE AND GALLING

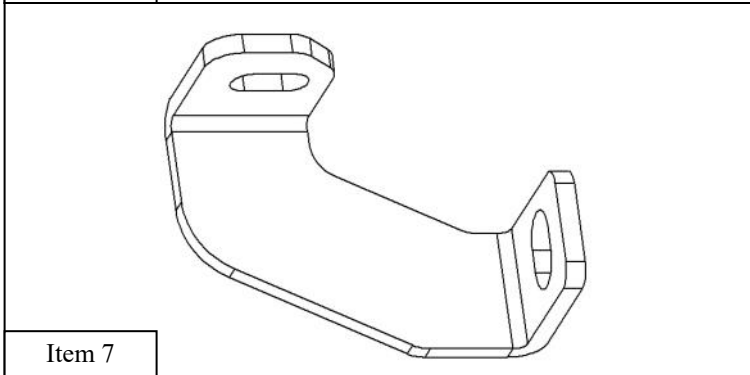




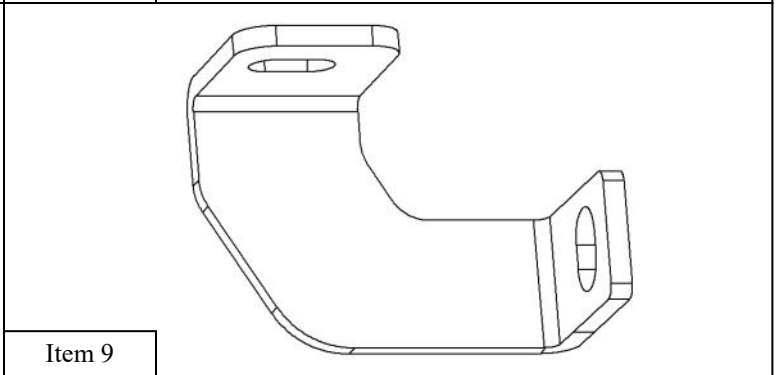
Item 3



Item 5



Item 7



Item 9

Note: All items shown are driver side. Passenger side are opposite.

PROCEDURE

1. Remove contents from box, verify if all parts listed are present and free from damage. Carefully read and understand all instructions before attempting installation.
Failure to identify damage before installation could lead to a rejection of any claim.
2. Starting at the front mounting location on the driver's side, locate Driver Mount Bracket "A" (item 3), and loosely secure the bracket using the supplied M8 hardware (items 15-17). See **Figures 1-2** for reference. **Note:** *If a threaded hole is not present use the M8 U-Nut Clip (item 14) for the mounting location.*
3. Locate the Driver Mount Bracket "B" (item 5), Driver Mount Bracket "C" (item 7), and Driver Mount Bracket "D" (item 9) and loosely secure them to the remaining driver side mounting locations. See **Figures 3-4** for reference. **Note:** *If a threaded hole is not present use the M8 U-Nut Clip (item 12) for the mounting location.*

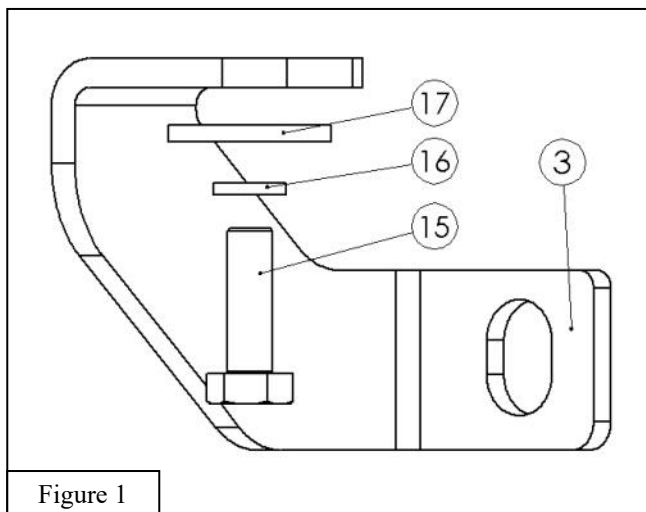


Figure 1

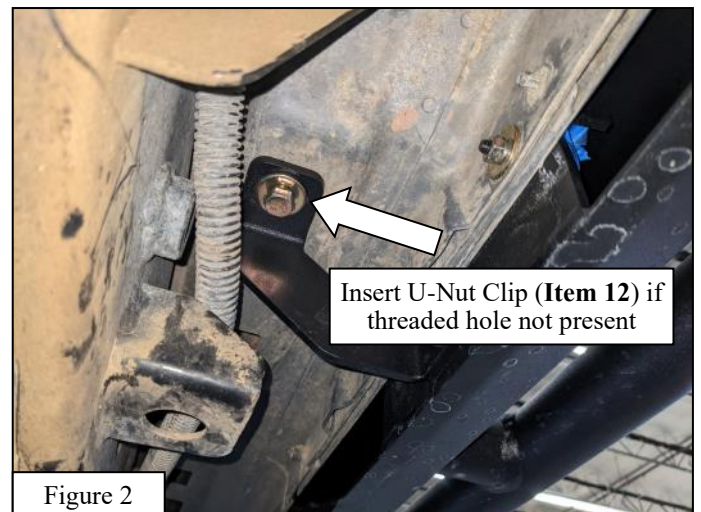


Figure 2

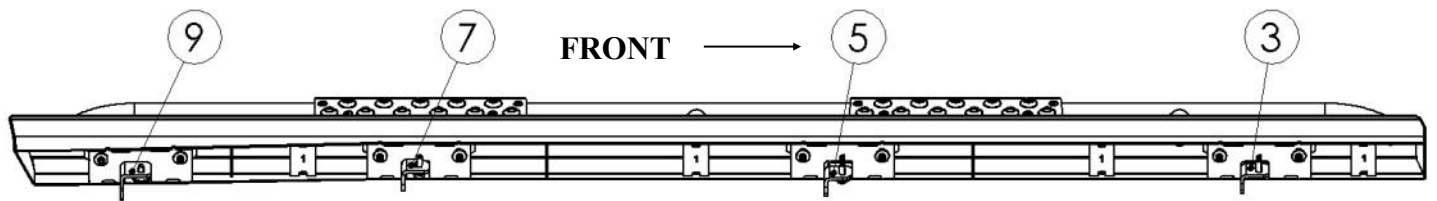


Figure 3

XTS ROCK SLIDER Driver Side

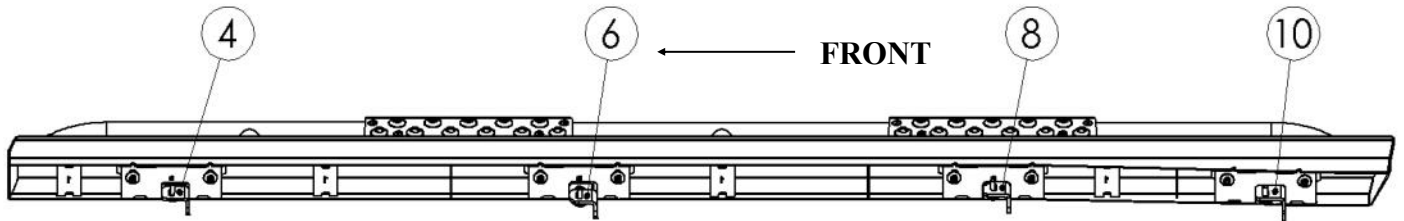


Figure 4

XTS ROCK SLIDER Passenger Side

4. Insert (6) M6 bolt plates (item 21) into the XTS rock slider driver side and tape them in place.
5. Use the M6 hardware (items 18-20) to loosely attach the rock slider to the pinch weld. See **Figure 5**.
6. Use the M10 hardware (items 11-13) to loosely secure the rock slider to the brackets. See **Figures 6-7**.

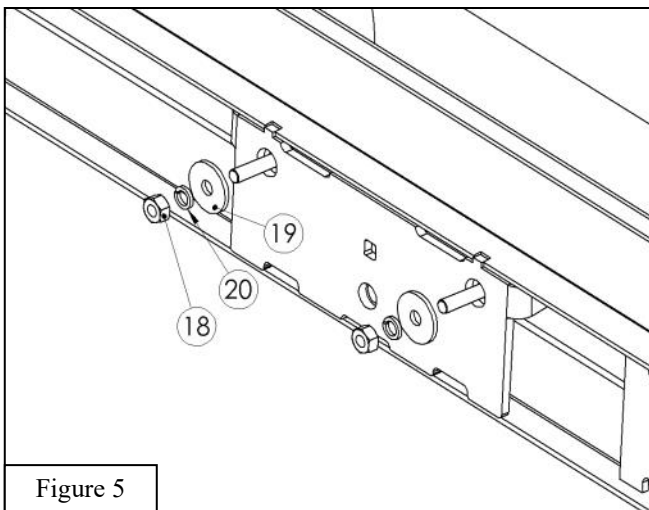


Figure 5

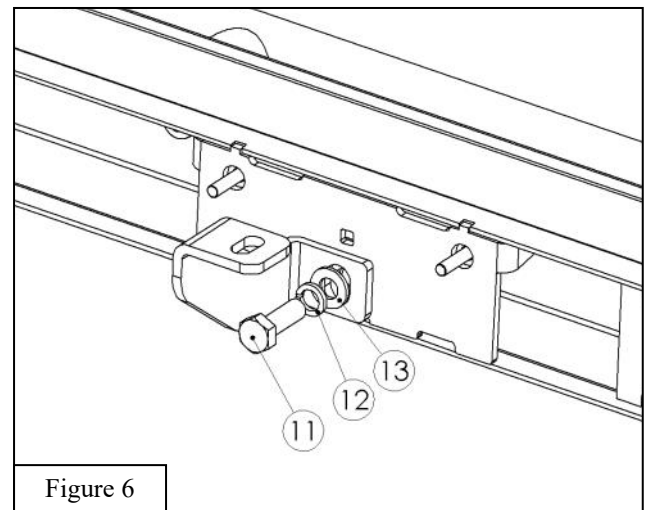


Figure 6



Figure 7

7. Repeat **Steps 2-5** for the passenger side.
8. Align and adjust the step bar assembly and mounting brackets as necessary. Tighten and torque all hardware as specified: M6 hardware to 7-8 ft-lbs., M8 to 15-18 ft-lbs., and M10 hardware to 35-38 ft-lbs.

INSTALLATION COMPLETE



CARE INSTRUCTIONS

- REGULAR WAXING IS RECOMMENDED. DO NOT USE ANY TYPE OF POLISH OR WAX THAT MAY CONTAIN ABRASIVES.
- STAINLESS STEEL PRODUCTS CAN BE CLEANED WITH MILD SOAP AND WATER. STAINLESS STEEL POLISH SHOULD BE USED TO POLISH SMALL SCRATCHES.
- GLOSS BLACK FINISHES SHOULD BE CLEANED WITH MILD SOAP AND WATER.

WESTIN Westin Automotive Products, Inc.
320 W. Covina Blvd
San Dimas, Ca. 91773

Thank you for choosing Westin products
for additional installation assistance please call
Customer Service (800) 793-7846

www.westinautomotive.com

DATE: 8/10/2022



WARNING



Failure to follow these instructions could lead to death, personal injury, and / or property damage.

Failure to follow these instructions could lead to death, personal injury, and / or property damage.

FASTENERS:

All Westin supplied fasteners must be utilized and installed in accordance with the installation instructions and apply torque to the specifications as defined. **DOUBLE CHECK ALL FASTENERS BEFORE INITIAL USE, AND PERIODICALLY IN THE FUTURE TO ENSURE PROPER FUNCTION AND SAFETY.**

DRILLING:

Most Westin products do not require drilling for installation. If drilling is defined as required, use caution when drilling a vehicle. **FAILURE TO REVIEW AN AREA TO BE DRILLED MAY RESULT IN PERSONAL INJURY AND/OR INJURY TO OTHERS AS WELL AS VEHICLE DAMAGE.**

EYE PROTECTION:

ALWAYS WEAR SAFETY GLASSES OR GOGGLES DURING THE INSTALLATION PROCESS TO AVOID PERSONAL INJURY.

MAXIMUM TOWING/CARRYING CAPACITY: (if applicable)

The Westin Receiver Hitches will have a visible tow rating label affixed directly on the product. User should never exceed the vehicle manufacturers maximum tow and weight rating regardless of the capacity of the hitch. **FAILURE TO FOLLOW THESE GUIDELINES WILL VOID THE WESTIN WARRANTY AND MAY RESULT IN PERSONAL INJURY AND/OR INJURY TO OTHERS AS WELL AS VEHICLE DAMAGE.**

FOR CALIFORNIA RESIDENTS ONLY-PROP 65 WARNING:

Some products may contain chemicals such as DEHP, which can cause cancer, birth defects or other reproductive harm. For more info go to www.p65warnings.ca.gov



Westin Automotive Products, Inc.
320 W. Covina Blvd
San Dimas, Ca. 91773