

# INSTALLATION INSTRUCTIONS

## SPORTSMAN X SENSOR KIT

# WESTIN®

### APPLICATION:

Silverado 1500 2019 / Ram 1500 2019

Silverado 1500 2016-2018; Silverado LD 2019

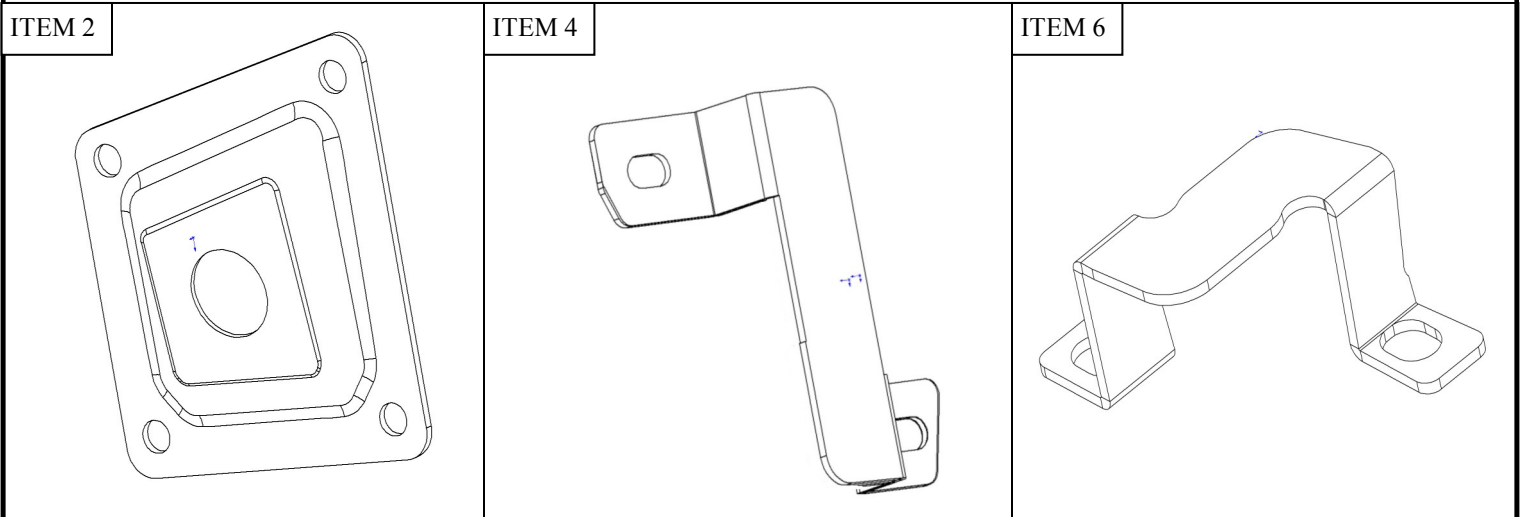
Ram 1500 2009-2018; Ram 1500 Classic 2019 (Excl. Rebel)

### PART NUMBER:

40-21005, 40-21015, 40-21025

CONTENT			
ITEM	QUANTITY	DESCRIPTION	TOOLS NEEDED
1	1	DRIVER SENSOR POD	3MM ALLEN
2	1	PASSENGER SENSOR POD	RATCHET
3	1	CENTER DRIVER SENSOR BRACKET	TORQUE WRENCH
4	1	CENTER PASSENGER SENSOR BRACKET	8MM SOCKET
5	1	DRIVER WING SENSOR BRACKET	
6	1	PASSENGER WING SENSOR BRACKET	
7	12	M5 BUTTON HEAD BOLT	
8	12	M5 FLAT WASHER	
9	12	M5 NYLOCK NUT	
10	1	DOUBLE SIDED TAPE STRIP	
11	4	CAP	
12	4	HARNESS EXTENSION	

**ANTI-SEIZE LUBRICANT MUST BE USED ON ALL STAINLESS STEEL FASTENERS TO PREVENT THREAD DAMAGE AND GALLING**



### PROCEDURE

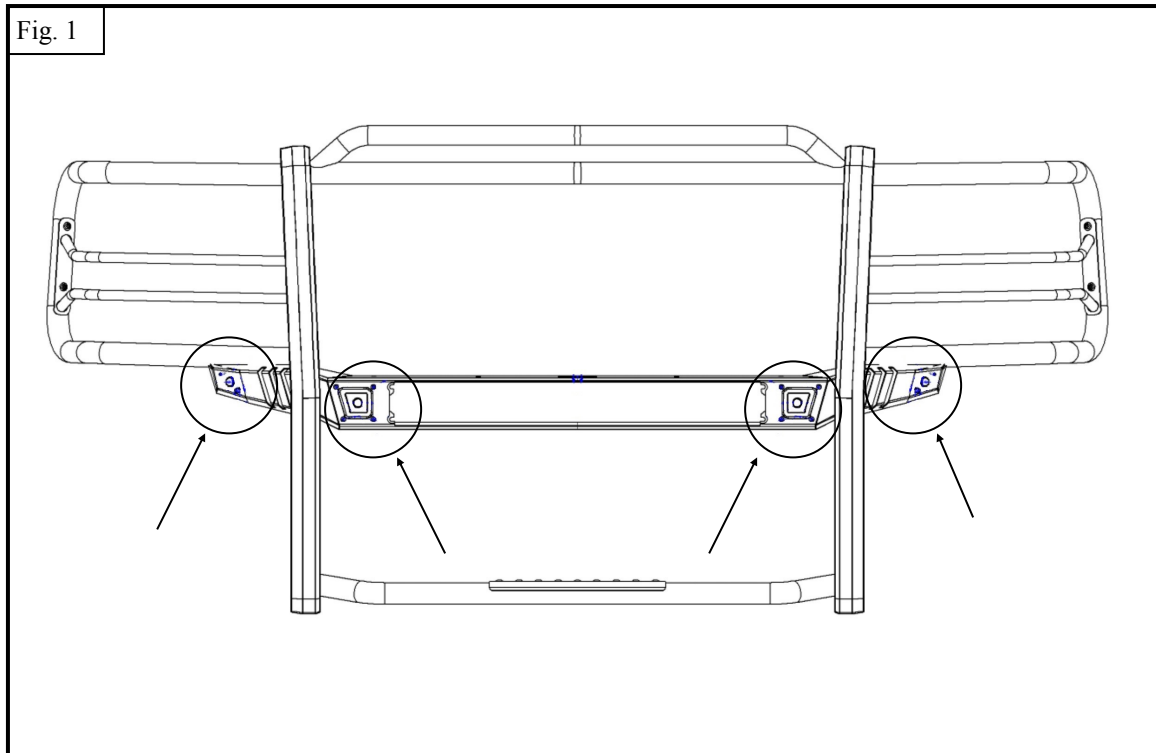
1. Remove contents from box, verify if all parts listed are present and free from damage.  
Carefully read and understand all instructions before attempting installation.

**Failure to identify damage before installation could lead to a rejection of any claim.**

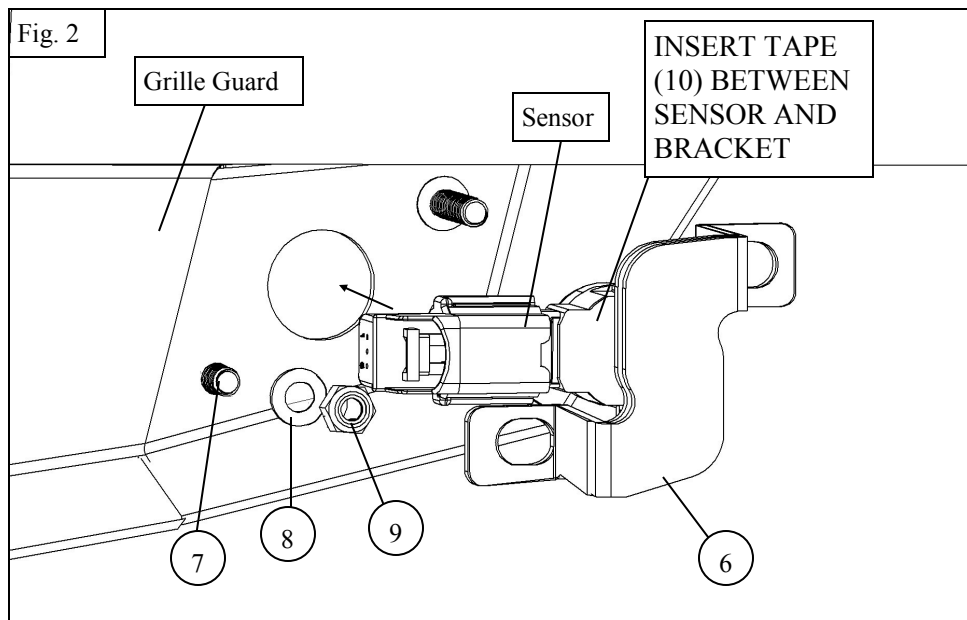
**WESTIN** Westin Automotive Products, Inc.  
320 W. Covina Blvd  
San Dimas, Ca. 91773

Thank you for choosing Westin products  
for additional installation assistance please call  
Customer Service (800) 793-7846

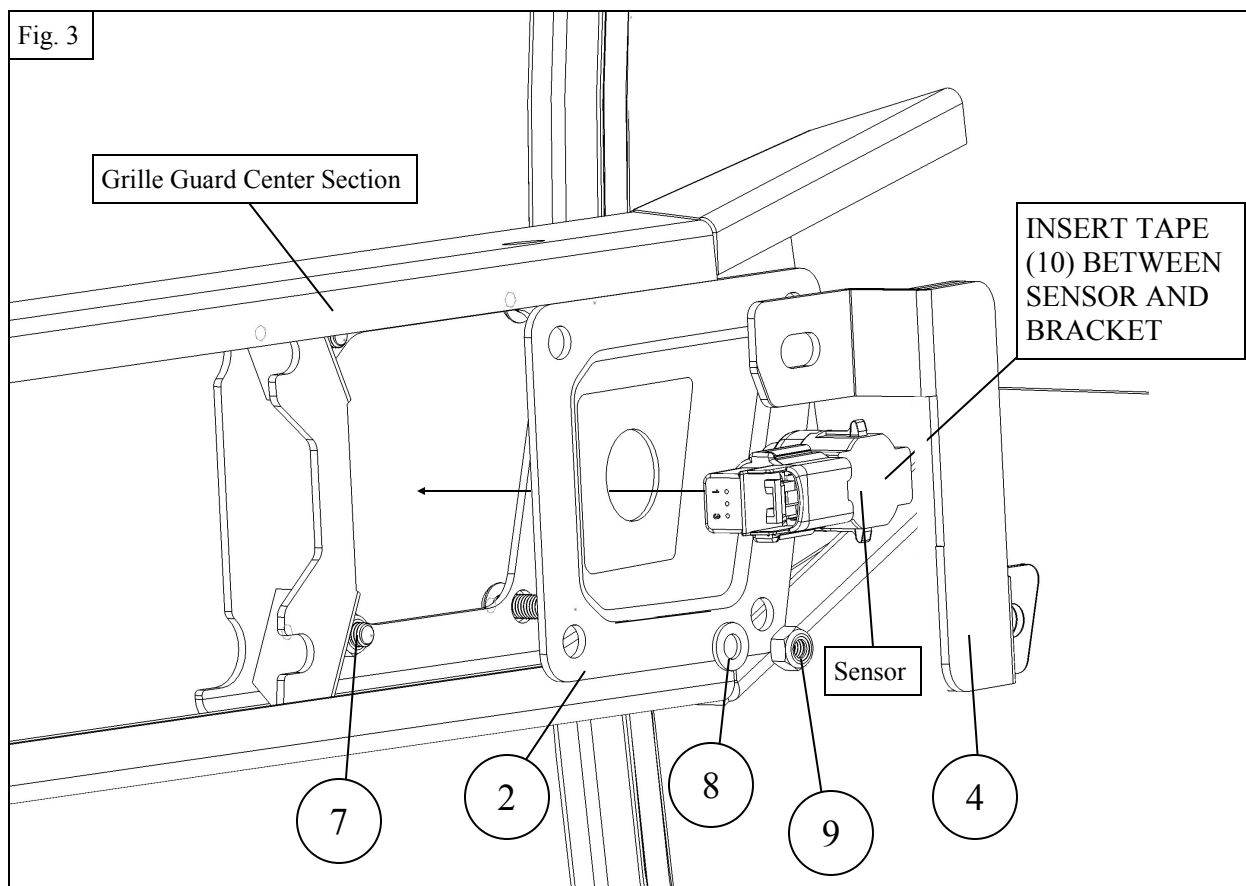
1. Remove the parking sensors from the OEM bumper. Pay attention to the orientation of the sensors. They must be installed in the same orientation. Handle sensors with care, they are very delicate.
2. You will insert the sensors on the back side of the grille guard in four locations as seen in **Figure 1**. *Note: Your vehicle may come equipped with 2 sensors or 4 sensors. Follow instructions accordingly.*



3. Starting on the passenger side, install the farthest right side sensor on to the right wing. Use the passenger wing bracket (6) and supplied M5 hardware. *Note: Be sure to cut a piece of the supplied tape and insert between the bracket and sensor. See Figure 2. DO NOT OVER TORQUE AS IT MAY CAUSE DAMAGE TO THE SENSOR.*



4. Move to the passenger center section. Take the second farthest right side sensor and install using the sensor pod (2), center passenger sensor bracket (4), and the supplied M5 hardware. *Note: Be sure to cut a piece of the supplied tape and insert between the bracket and sensor. See Figure 3. DO NOT OVER TORQUE AS IT MAY CAUSE DAMAGE TO THE SENSOR*



5. Repeat mounting process on driver side.
6. Carefully route the OE wire harness and plug into the supplied harness extension. Route around the grille guard. *Note: Zip ties or double sided tape can be used to route harness and to hold the sensor in position.*
7. Using the supplied wire harness extensions, plug all sensor connections together. **See Figures 4-5 for plug orientation.**

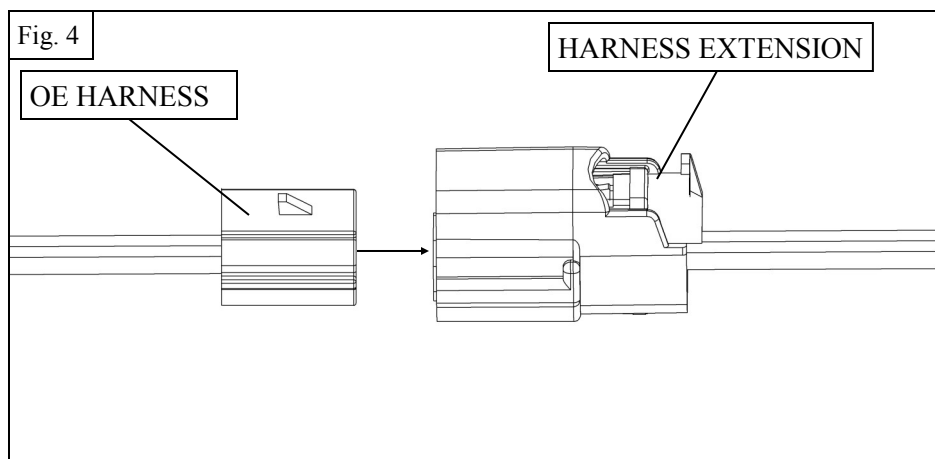
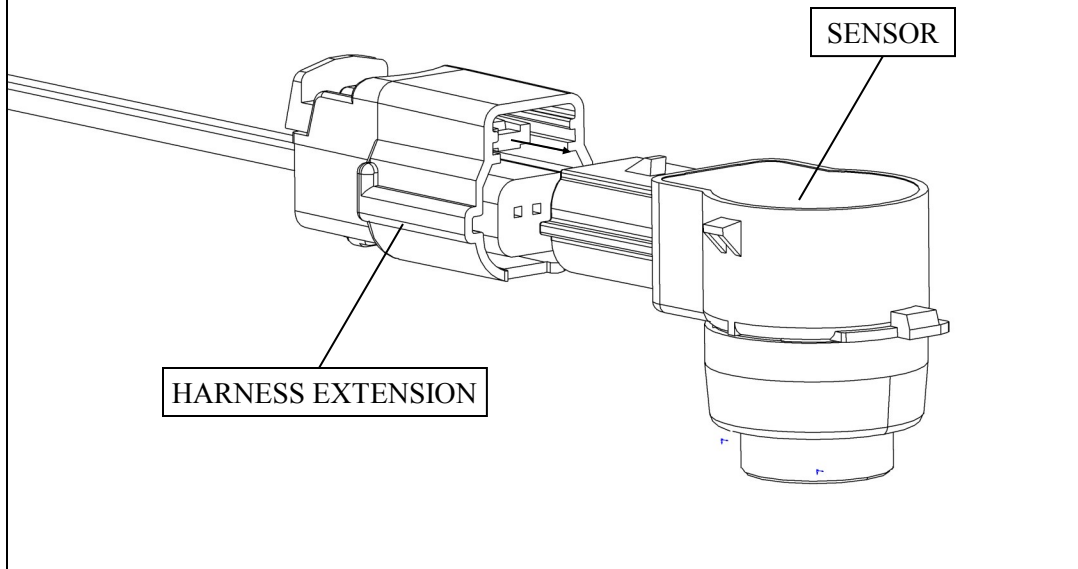


Fig. 5



8. Insert the supplied caps (11) into the old sensor locations on the bumper to cover the exposed holes.

**CARE INSTRUCTIONS**

- REGULAR WAXING IS RECOMMENDED. DO NOT USE ANY TYPE OF POLISH OR WAX THAT MAY CONTAIN ABRASIVES.
- STAINLESS STEEL PRODUCTS CAN BE CLEANED WITH MILD SOAP AND WATER. STAINLESS STEEL POLISH SHOULD BE USED TO POLISH SMALL SCRATCHES.
- GLOSS BLACK FINISHES SHOULD BE CLEANED WITH MILD SOAP AND WATER.



## WARNING



Failure to follow these instructions could lead to death, personal injury, and / or property damage.

Failure to follow these instructions could lead to death, personal injury, and / or property damage.

### FASTENERS:

All Westin supplied fasteners must be utilized and installed in accordance with the installation instructions and apply torque to the specifications as defined. **DOUBLE CHECK ALL FASTENERS BEFORE INITIAL USE, AND PERIODICALLY IN THE FUTURE TO ENSURE PROPER FUNCTION AND SAFETY.**

### DRILLING:

Most Westin products do not require drilling for installation. If drilling is defined as required, use caution when drilling a vehicle. **FAILURE TO REVIEW AN AREA TO BE DRILLED MAY RESULT IN PERSONAL INJURY AND/OR INJURY TO OTHERS AS WELL AS VEHICLE DAMAGE.**

### EYE PROTECTION:

**ALWAYS WEAR SAFETY GLASSES OR GOGGLES DURING THE INSTALLATION PROCESS TO AVOID PERSONAL INJURY.**

### MAXIMUM TOWING/CARRYING CAPACITY: (if applicable)

The Westin Receiver Hitches will have a visible tow rating label affixed directly on the product. User should never exceed the vehicle manufacturers maximum tow and weight rating regardless of the capacity of the hitch. **FAILURE TO FOLLOW THESE GUIDELINES WILL VOID THE WESTIN WARRANTY AND MAY RESULT IN PERSONAL INJURY AND/OR INJURY TO OTHERS AS WELL AS VEHICLE DAMAGE.**

### FOR CALIFORNIA RESIDENTS ONLY-PROP 65 WARNING:

Some products may contain chemicals such as DEHP, which can cause cancer, birth defects or other reproductive harm. For more info go to [www.p65warnings.ca.gov](http://www.p65warnings.ca.gov)



Westin Automotive Products, Inc.  
320 W. Covina Blvd  
San Dimas, Ca. 91773

Thank you for choosing Westin products  
for additional installation assistance please call  
Customer Service (800) 793-7846

[www.westinautomotive.com](http://www.westinautomotive.com)