

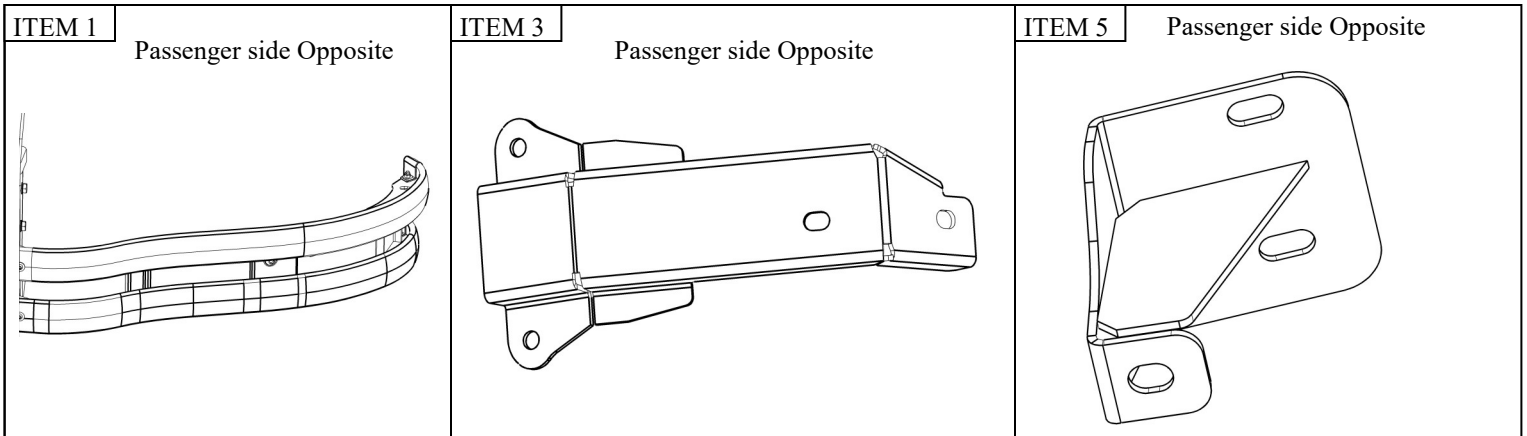
INSTALLATION INSTRUCTIONS



PIT BAR ELITE
APPLICATION:
Ford Police Interceptor Utility 2020
PART NUMBER:
36-2125PB

CONTENT			
ITEM	QUANTITY	DESCRIPTION	TOOLS NEEDED
1	1	DRIVER PIT BAR	RATCHET
2	1	PASSENGER PIT BAR	SCREWDRIVER
3	1	DRIVER MOUNTING BRACKET	14MM WRENCH
4	1	PASSENGER MOUNTING BRACKET	14MM SOCKET
5	1	DRIVER SUPPORT BRACKET	ALLEN WRENCH
6	1	PASSENGER SUPPORT BRACKET	15MM SOCKET
7	2	LONG M12 BOLT PLATE	13MM SOCKET
8	2	SHORT SPACER	10MM SOCKET
9	2	LONG SPACER	8MM SOCKET
10	2	M12 DOUBLE BOLT PLATE	6MM SOCKET
11	2	SHORT M12 BOLT PLATE	RATCHET EXT.
12	1	DRIVER TEMPLATE	TORQUE WRENCH
13	1	PASSENGER TEMPLATE	HAMMER
14	10	M12 BUTTON HEAD BOLT	UTILITY KNIFE
15	10	M12 SERRATED FLANGE HEX NUT	
16	10	M12 BELLVILLE WASHER	

ANTI-SEIZE LUBRICANT MUST BE USED ON ALL STAINLESS STEEL FASTENERS TO PREVENT THREAD DAMAGE AND GALLING



PROCEDURE

1. Remove contents from box, verify if all parts listed are present and free from damage.
Carefully read and understand all instructions before attempting installation.
Failure to identify damage before installation could lead to a rejection of any claim.

2. Starting from Step 10 on Install Sheet PN 75-362125 for the 36-2125 push bumper, locate the mounting and support brackets (3-6). Slide the supplied double bolt plate (10) inside the front of the frame. Mount the driver side brackets using the supplied M12 hardware, while holding the bolt plate in place. **See Figures 1, 2 & 3.**
3. Repeat process on the passenger side.
4. Referring to step 11 on Install Sheet PN 75-362125 for 36-2125 push bumper, test fit the push bumper and pit bar brackets with the fascia off. Tighten all the M12 hardware to 50-55 ft lbs.
5. Make a mark on the stock bumper plate as indicated in **Figure 2** and drill a 9/16" hole on both driver and passenger side.

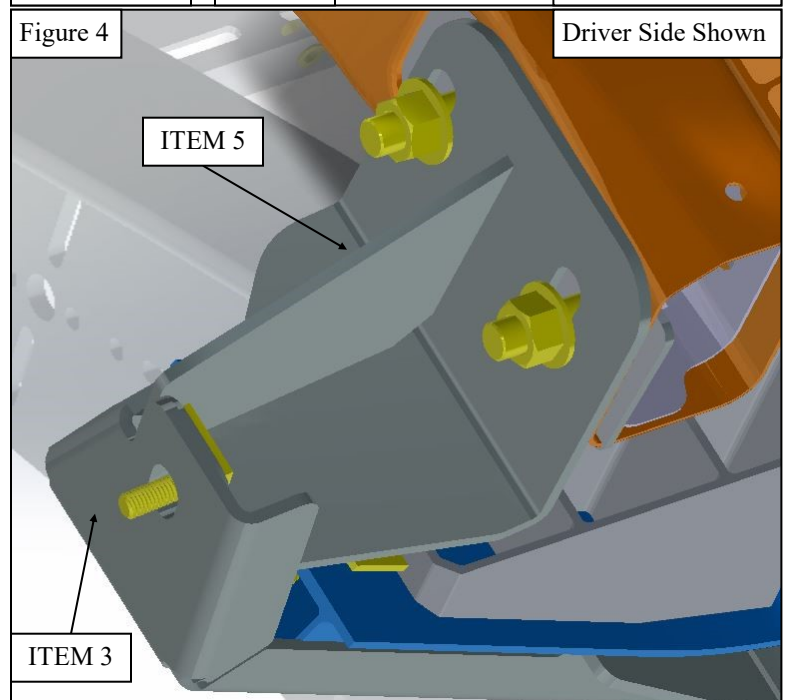
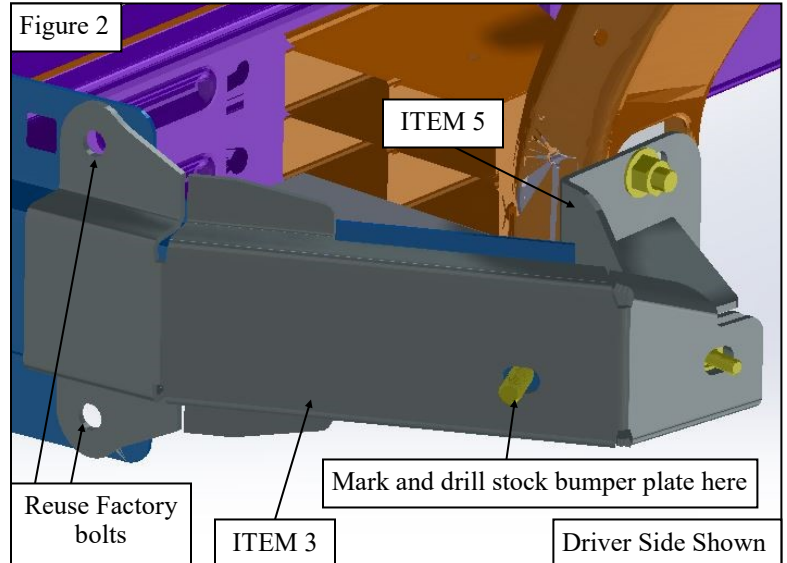
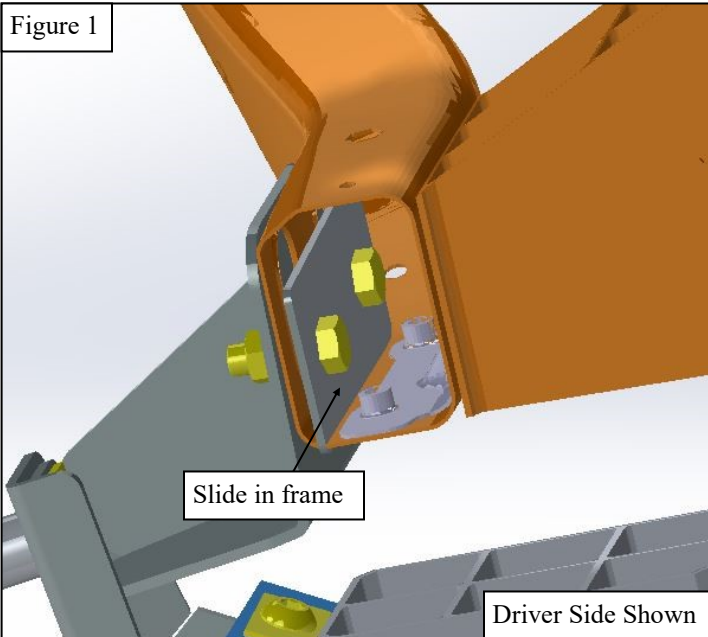


Figure 3

4. Re-install the fascia but leave the fenders area open so you can access the mounting brackets.



TRIMMING IS REQUIRED ON THE FRONT FASCIA TRIMMING INSTRUCTIONS:

5. Measure the reference units on the template to ensure it is the correct size. If it is not, then please call the customer service line (800) 793-7846.
6. Trim and tape the supplied template on to the front fascia per the instructions on the template. **Make sure the template is aligned correctly before trimming fascia. See Figure 6-7**
7. Using a center-punch, mark the center of the two specified holes on the template.
8. Remove the template and using a 1.5” hole saw, cut out the two holes then clean the edges. Figure 8.
9. Repeat on the passenger side

Figure 6

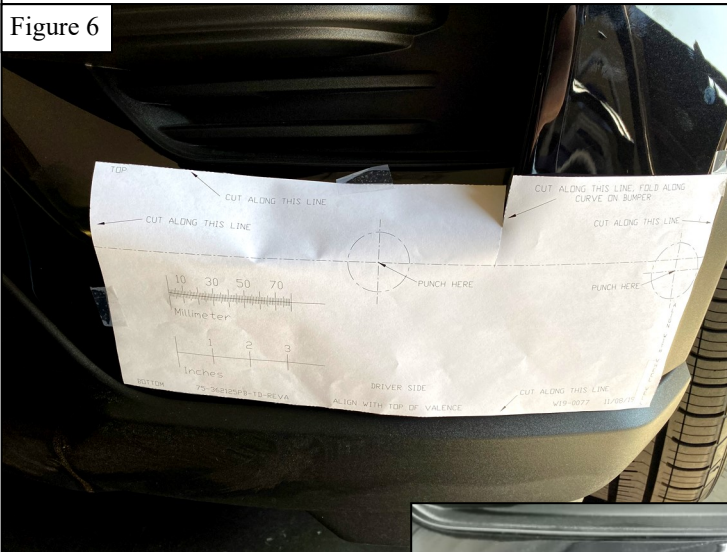


Figure 7

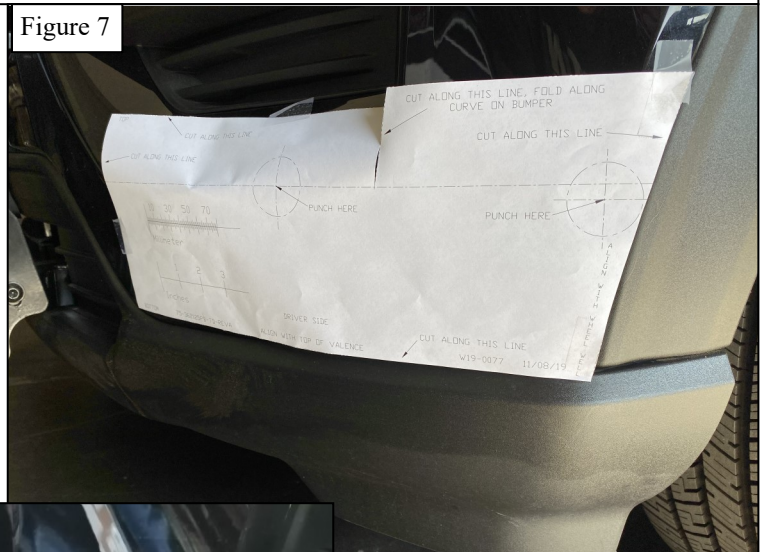
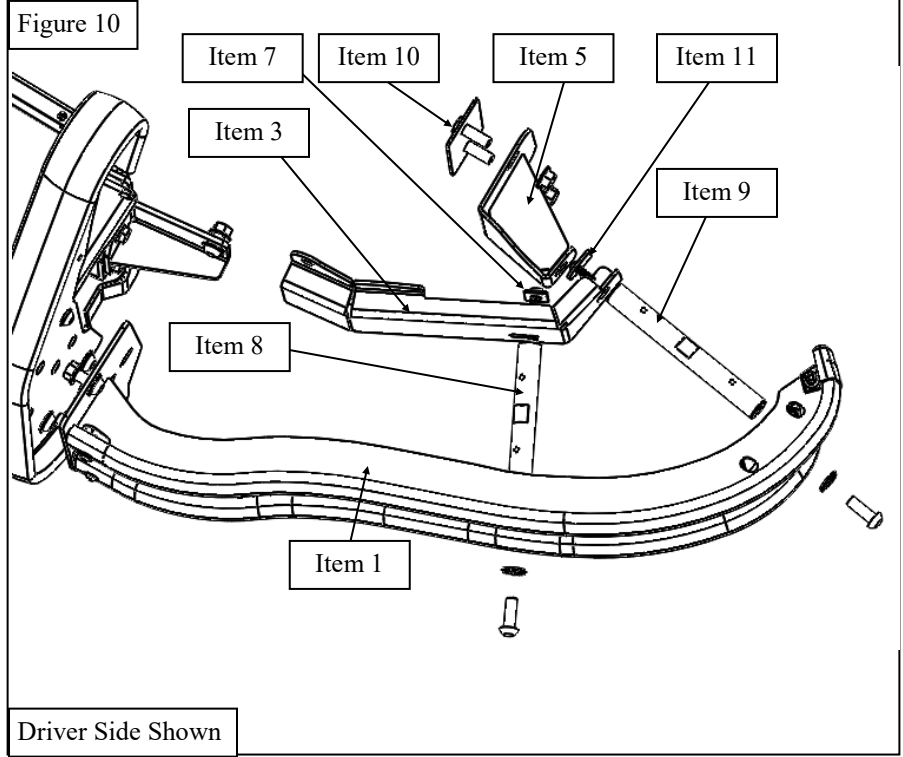
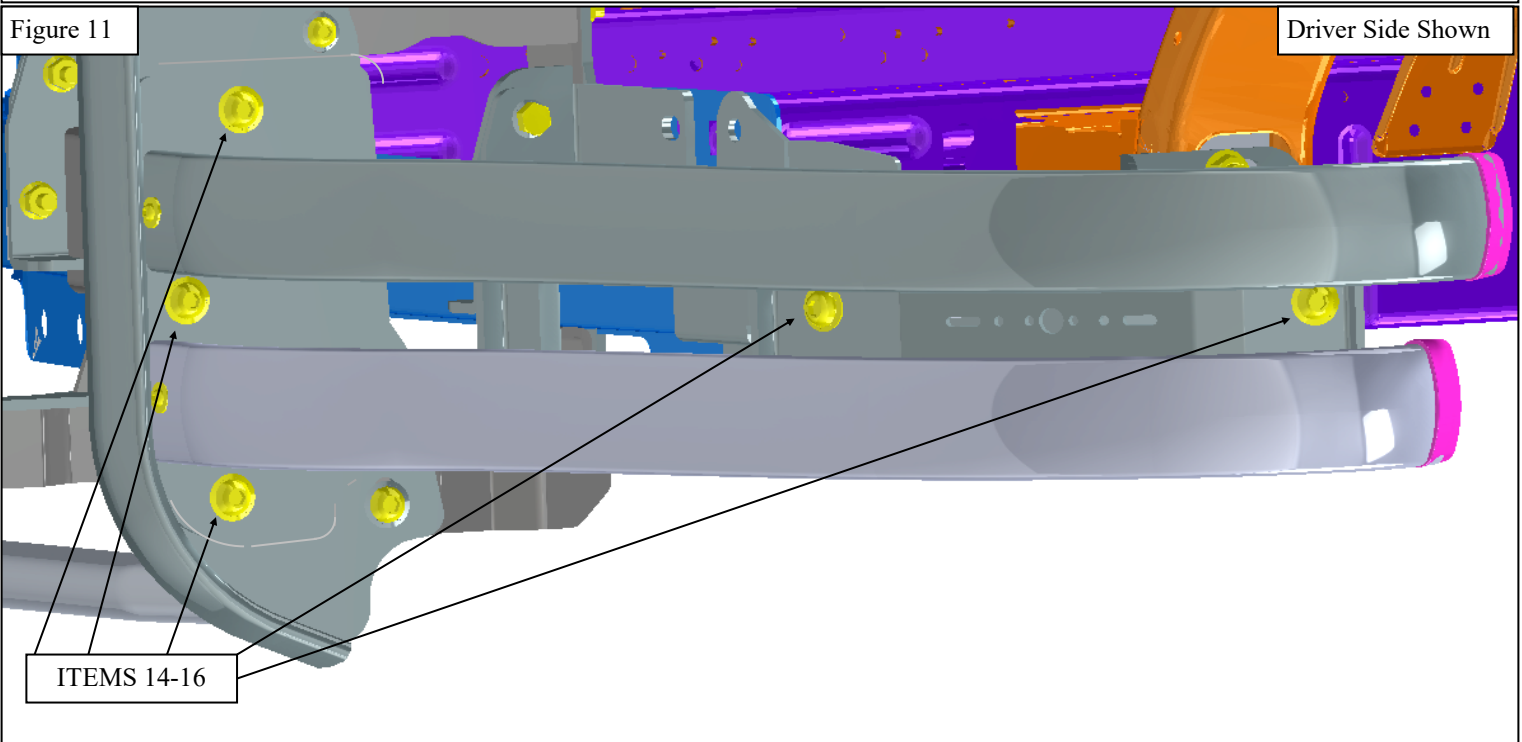


Figure 8

10. Going in between the driver inner fender and fascia, install the short and long M12 bolt plates into the brackets. Install the spacers by placing them into previously cut holes and screw the spacers in to each bolt plate. Repeat on the passenger side.
See Figure 9-10



11. Refer back to Install Sheet PN 75-362125 to install the push bumper.
12. Install the pit bar sides using the supplied M12 hardware. **See Figure 11.**
13. Align and adjust the Pit Bars as necessary. Tighten all remaining fasteners : M12 to 50-55 ft-lbs



INSTALLATION COMPLETE



CARE INSTRUCTIONS

- REGULAR WAXING IS RECOMMENDED. DO NOT USE ANY TYPE OF POLISH OR WAX THAT MAY CONTAIN ABRASIVES.
- STAINLESS STEEL PRODUCTS CAN BE CLEANED WITH MILD SOAP AND WATER. STAINLESS STEEL POLISH SHOULD BE USED TO POLISH SMALL SCRATCHES.
- GLOSS BLACK FINISHES SHOULD BE CLEANED WITH MILD SOAP AND WATER.

WESTIN Westin Automotive Products, Inc.
320 W. Covina Blvd
San Dimas, Ca. 91773

Thank you for choosing Westin products
for additional installation assistance please call
Customer Service (800) 793-7846
www.westinautomotive.com



WARNING



Failure to follow these instructions could lead to death, personal injury, and / or property damage.

Failure to follow these instructions could lead to death, personal injury, and / or property damage.

FASTENERS:

All Westin supplied fasteners must be utilized and installed in accordance with the installation instructions and apply torque to the specifications as defined. **DOUBLE CHECK ALL FASTENERS BEFORE INITIAL USE, AND PERIODICALLY IN THE FUTURE TO ENSURE PROPER FUNCTION AND SAFETY.**

DRILLING:

Most Westin products do not require drilling for installation. If drilling is defined as required, use caution when drilling a vehicle. **FAILURE TO REVIEW AN AREA TO BE DRILLED MAY RESULT IN PERSONAL INJURY AND/OR INJURY TO OTHERS AS WELL AS VEHICLE DAMAGE.**

EYE PROTECTION:

ALWAYS WEAR SAFETY GLASSES OR GOGGLES DURING THE INSTALLATION PROCESS TO AVOID PERSONAL INJURY.

MAXIMUM TOWING/CARRYING CAPACITY: (if applicable)

The Westin Receiver Hitches will have a visible tow rating label affixed directly on the product. User should never exceed the vehicle manufacturers maximum tow and weight rating regardless of the capacity of the hitch. **FAILURE TO FOLLOW THESE GUIDELINES WILL VOID THE WESTIN WARRANTY AND MAY RESULT IN PERSONAL INJURY AND/OR INJURY TO OTHERS AS WELL AS VEHICLE DAMAGE.**

FOR CALIFORNIA RESIDENTS ONLY-PROP 65 WARNING:

Some products may contain chemicals such as DEHP, which can cause cancer, birth defects or other reproductive harm. For more info go to www.p65warnings.ca.gov



Westin Automotive Products, Inc.
320 W. Covina Blvd
San Dimas, Ca. 91773

Thank you for choosing Westin products
for additional installation assistance please call
Customer Service (800) 793-7846
www.westinautomotive.com