



SIGNATURE OF QUALITY

AUTOMOTIVE PRODUCTS, INC.

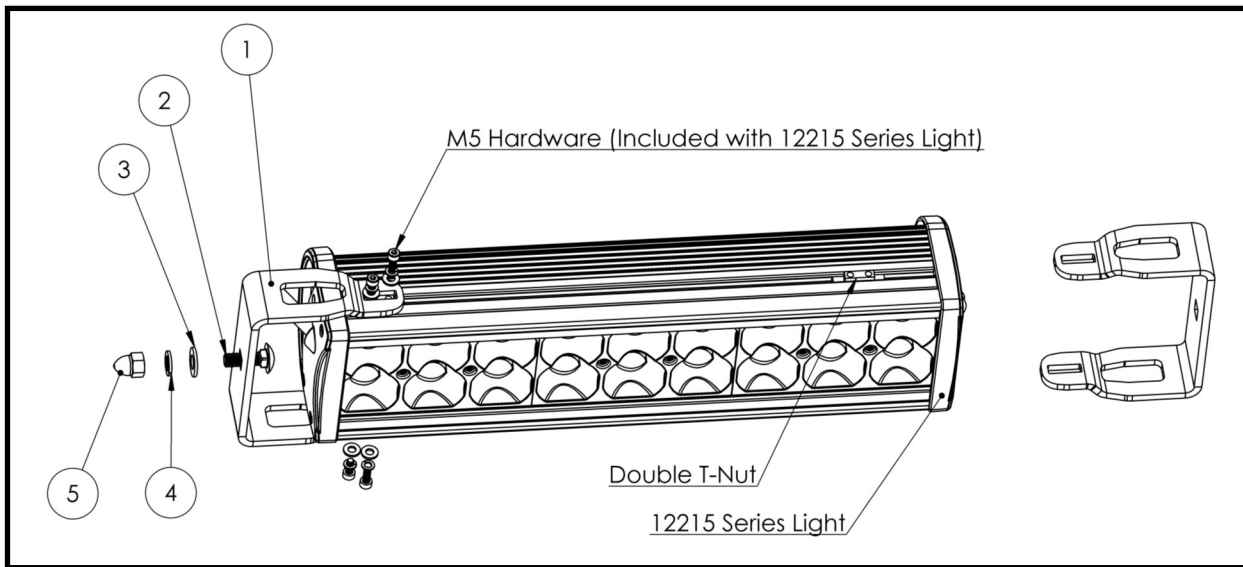
INSTALLATION INSTRUCTIONS

APPLICATION: 09-12215-XXX UNIVERSAL EF DOUBLE ROW LED LIGHT BAR SIDE MOUNTING BRACKET SET
WESTIN PART NUMBER: 09-3003

ITEM	QUANTITY	DESCRIPTION	TOOLS NEEDED
1	2	MOUNTING BRACKET	RATCHET
2	2	M8 CARRIAGE BOLT (STAINLESS)	TORQUE WRENCH
3	2	M8 FLAT WASHER (STAINLESS)	ALLEN WRENCH
4	2	M8 LOCK WASHER (STAINLESS)	13MM SOCKET
5	2	M8 ACORN NUT (STAINLESS)	

ANTI-SEIZE LUBRICANT MUST BE USED ON ALL STAINLESS STEEL FASTENERS TO PREVENT THREAD DAMAGE AND GALLING

1. Remove contents from box, verify if all parts listed are present and free from damage. Carefully read and understand all instructions before attempting installation.
2. Remove the U-Clamp brackets from the LED light using a 4mm Allen Wrench.
3. Slip the M8 carriage bolts into the square holes in the mounting brackets.
4. Loosely install both mounting brackets on the ends of the LED light using the stainless steel M5 Screws, Washers and Lock Washers that are supplied with the LED light. Note: The M5 hardware screws into the threaded holes in the double T-Nuts that are retained with the LED light.
5. Attach the M8 carriage screws to the holes in the vehicle's light mounting brackets (sold separately) using the M8 Flat Washers, M8 Lock Washers and M8 Acorn Nuts.
6. Align and adjust the LED light as desired. Tighten and torque all fasteners: M5 to 40-45 in-lbs. and M8 to 11-13 ft-lbs.



CARE INSTRUCTIONS:

- REGULAR WAXING IS RECOMMENDED. DO NOT USE ANY TYPE OF POLISH OR WAX THAT MAY CONTAIN ABRASIVES.
- STAINLESS STEEL PRODUCTS CAN BE CLEANED WITH MILD SOAP AND WATER. STAINLESS STEEL POLISH SHOULD BE USED TO POLISH SMALL SCRATCHES.
- GLOSS BLACK FINISHES SHOULD BE CLEANED WITH MILD SOAP AND WATER.



Westin Automotive Products, Inc.
320 Covina Blvd
San Dimas, Ca. 91773

Thank You for choosing Westin products
For Additional installation assistance please call
Customer service (800) 793-7846
www.westinautomotive.com