

INSTALLATION INSTRUCTIONS

Control Box Relocation Bracket for SX10/12 Winches

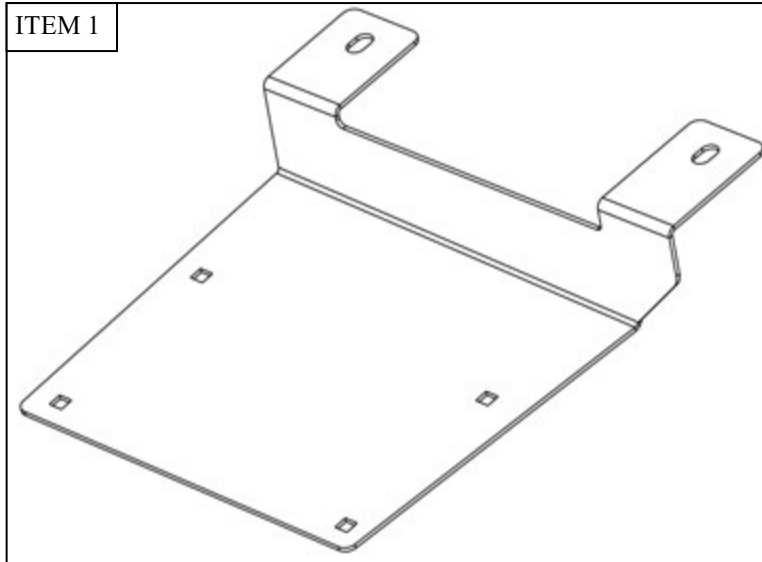


APPLICATION:
2024-2026 TOYOTA TACOMA (EXCL. HYBRID)
2025-2026 4RUNNER (EXCL. HYBRID)

PART NUMBER:
2793

CONTENT			
ITEM	QUANTITY	DESCRIPTION	TOOLS NEEDED
1	1	CONTROL BOX BRACKET	2.5MM HEX DRIVER
2	2	M6 HEX HEAD CAP SCREW	10MM SOCKET
3	2	M6 SPLIT LOCK WASHER	RATCHET
4	2	M6 FLAT WASHER	TORQUE WRENCH
5	2	M6 CLIP NUT	PRY TOOL
6	4	M4 HEX DRIVE BUTTON HEAD SCREW	
7	4	M4 SERRATED FLANGE HEX NUT	

ANTI-SEIZE LUBRICANT MUST BE USED ON ALL STAINLESS STEEL FASTENERS TO PREVENT THREAD DAMAGE AND GALLING

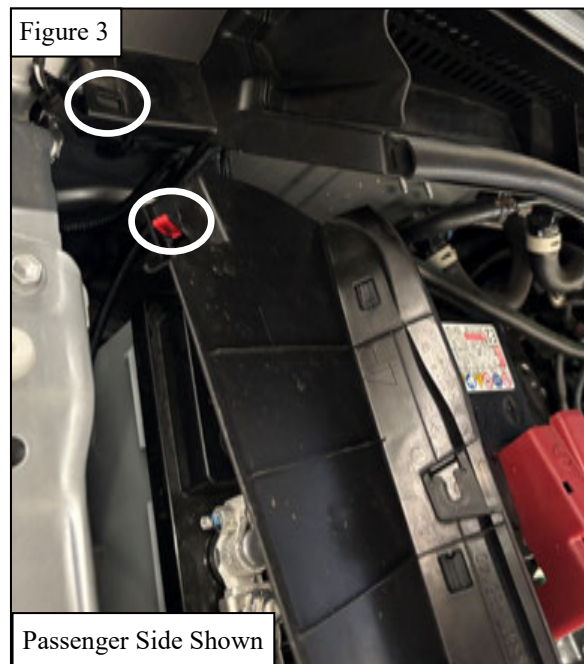
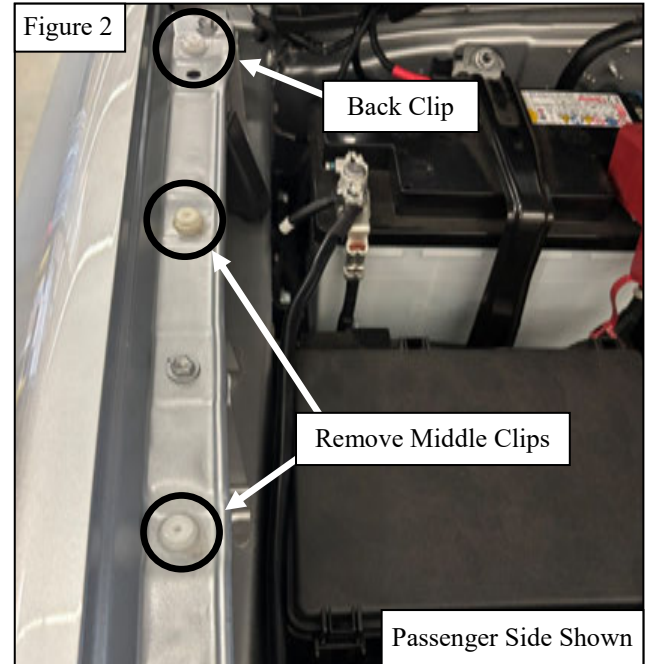
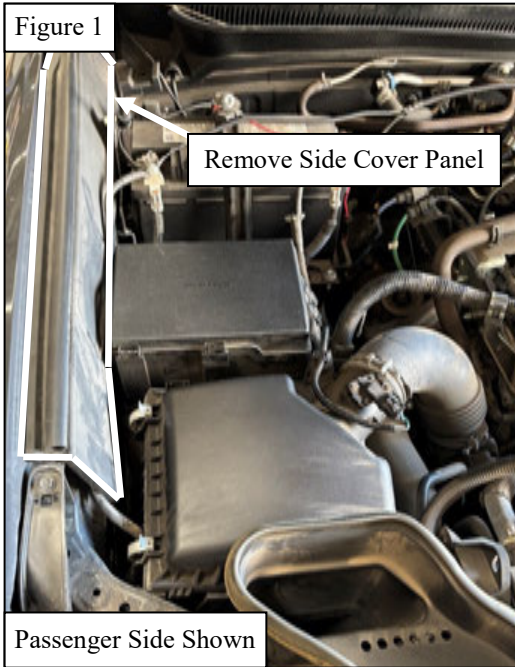


PROCEDURE

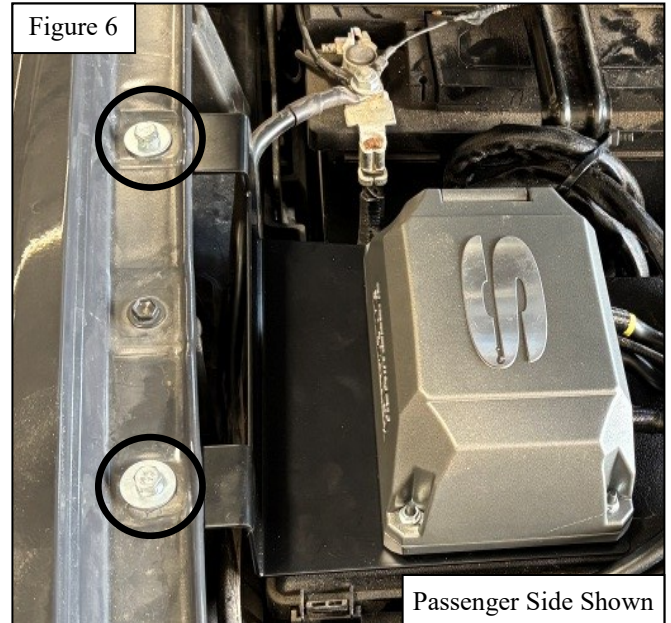
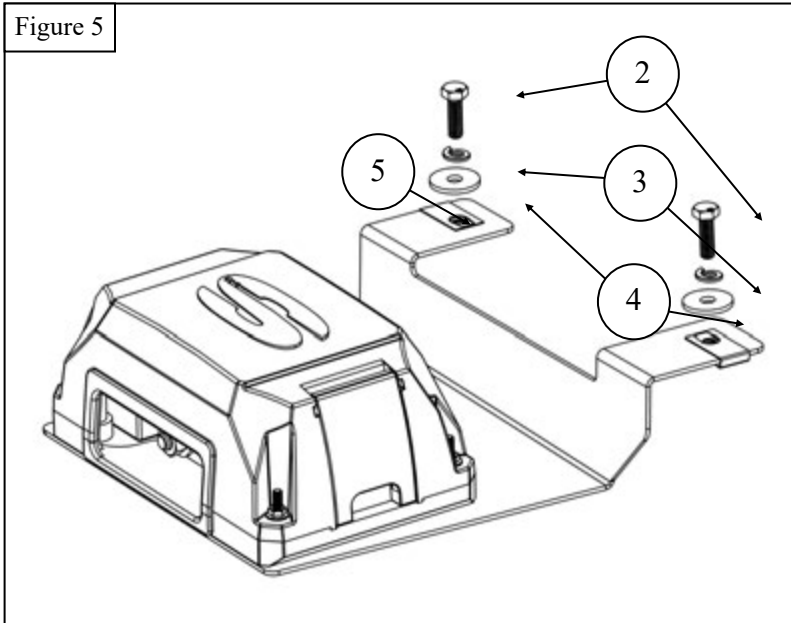
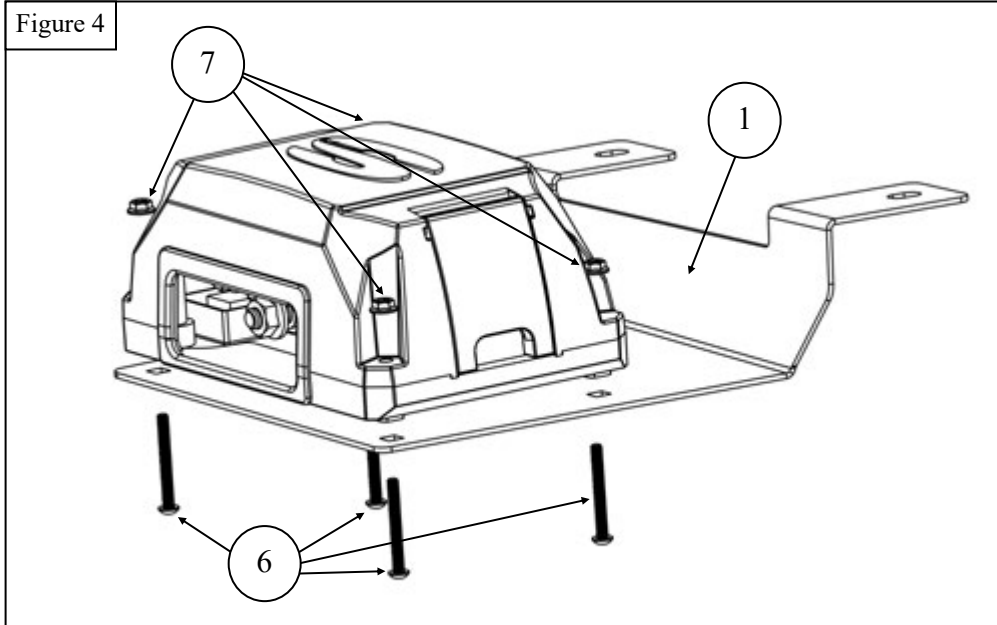
1. Remove contents from box, verify if all parts listed are present and free from damage.
Carefully read and understand all instructions before attempting installation.
Failure to identify damage before installation could lead to a rejection of any claim.

NOTE: Refer to the **Cable Kit Instructions** for wiring instructions

2. Open the hood.
3. On the passenger side near the battery, remove the side cover panel highlighted in **Figure 1**.
 - Push the front of the panel back and lift the front of the panel to release it from the front clip.
 - Push the front of the panel inwards to release the panel from the middle clips shown in **Figure 2**.
 - Pull the panel forward to release the panel from the back flip shown in **Figure 2**.
 - Pull the back of the panel up to release the red clip shown in **Figure 3**.
4. Remove the two middle clips. Use a pry tool to remove the clips. See **Figure 2**.



5. Attach the control box to the Control Box Bracket (**item 1**) using the M4 hardware (**items 6 and 7**). See **Figure 4**.
6. Tighten the M4 hardware to 28 in-lbs.
7. Attach the control box bracket to the vehicle using the M6 hardware (**items 2-5**). The M6 bolts are installed where the two middle clips were removed in step 3. See **Figures 2,5, and 6**.
8. Tighten the M6 hardware to 7-8 ft-lbs.



9. Trim the side cover panel to make room for the M6 hardware attaching the bracket to the vehicle. Trim the highlighted areas where the panel connected to the middle clips. See **Figure 7**.
10. Trim the area highlighted in **Figure 8** as needed so the cover panel fits around the control box bracket and winch cables. See **Figure 8**.
11. Reinstall the side cover panel.

Figure 7

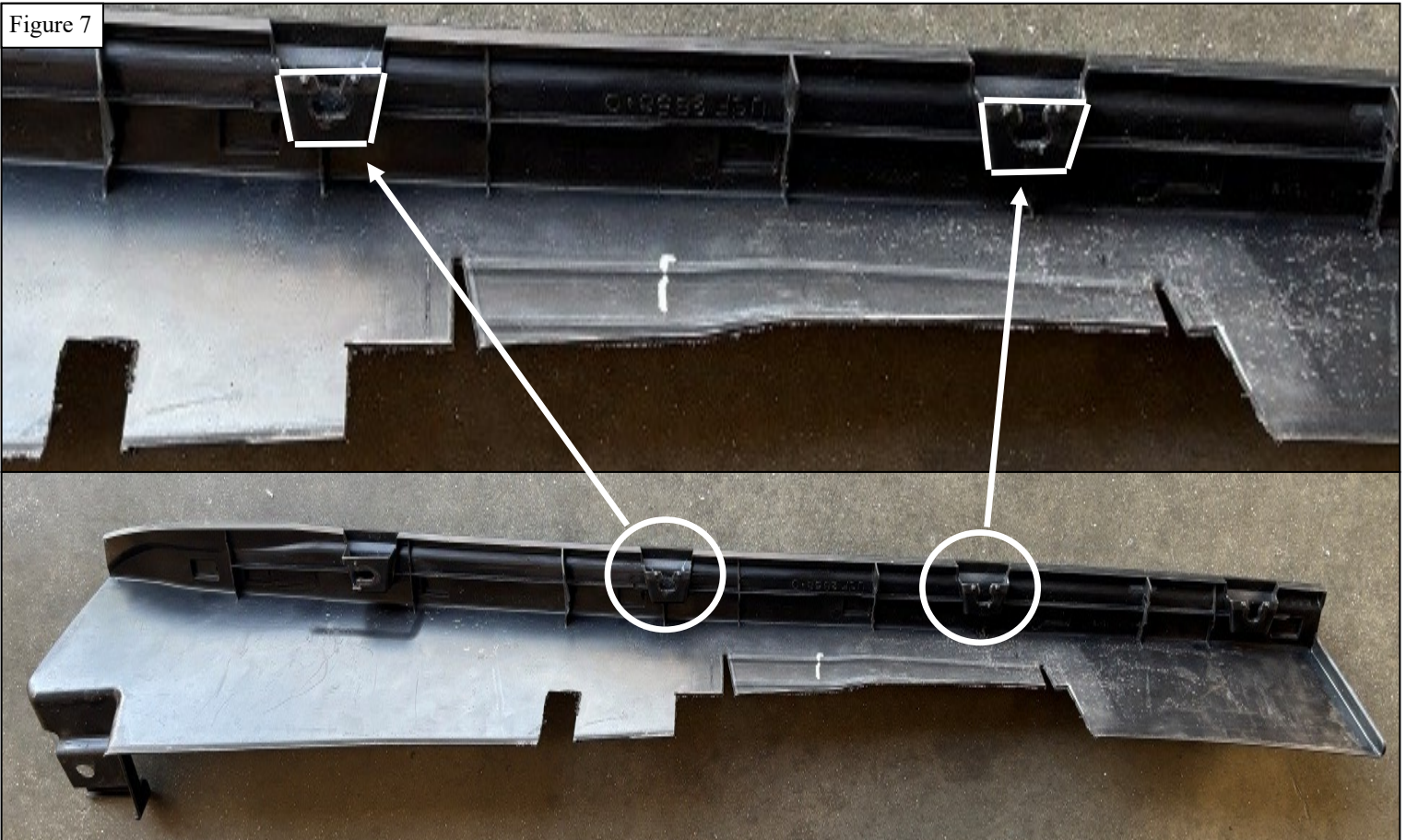
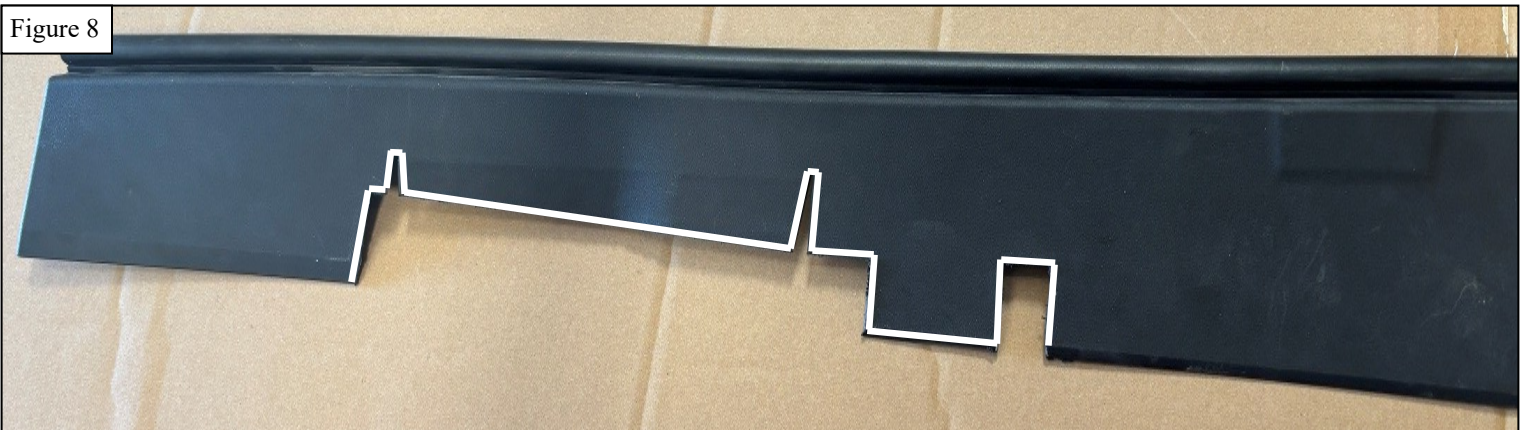


Figure 8



INSTALLATION COMPLETE



CARE INSTRUCTIONS

- Texture Black Finishes should be cleaned with mild soap and water only (do not wax).
- Gloss Black Finishes should be cleaned with mild soap and water.
- Polished Stainless products should be cleaned with mild soap and water. Stainless Steel polish may be used to remove small scratches.
- Regular waxing is recommended for Gloss Black and Stainless Steel products. Do not use wax that may contain abrasives.

WESTIN Westin Automotive Products, Inc.
320 W. Covina Blvd
San Dimas, Ca. 91773

Thank you for choosing Westin products
for additional installation assistance please call
Customer Service (800) 793-7846
www.westinautomotive.com



WARNING



Failure to follow these instructions could lead to death, personal injury, and / or property damage.

Failure to follow these instructions could lead to death, personal injury, and / or property damage.

FASTENERS:

All Westin supplied fasteners must be utilized and installed in accordance with the installation instructions and apply torque to the specifications as defined. **DOUBLE CHECK ALL FASTENERS BEFORE INITIAL USE, AND PERIODICALLY IN THE FUTURE TO ENSURE PROPER FUNCTION AND SAFETY.**

DRILLING:

Most Westin products do not require drilling for installation. If drilling is defined as required, use caution when drilling a vehicle. **FAILURE TO REVIEW AN AREA TO BE DRILLED MAY RESULT IN PERSONAL INJURY AND/OR INJURY TO OTHERS AS WELL AS VEHICLE DAMAGE.**

EYE PROTECTION:

ALWAYS WEAR SAFETY GLASSES OR GOGGLES DURING THE INSTALLATION PROCESS TO AVOID PERSONAL INJURY.

MAXIMUM TOWING/CARRYING CAPACITY: (if applicable)

The Westin Receiver Hitches will have a visible tow rating label affixed directly on the product. User should never exceed the vehicle manufacturers maximum tow and weight rating regardless of the capacity of the hitch. **FAILURE TO FOLLOW THESE GUIDELINES WILL VOID THE WESTIN WARRANTY AND MAY RESULT IN PERSONAL INJURY AND/OR INJURY TO OTHERS AS WELL AS VEHICLE DAMAGE.**

FOR CALIFORNIA RESIDENTS ONLY-PROP 65 WARNING:

Some products may contain chemicals such as DEHP, which can cause cancer, birth defects or other reproductive harm. For more info go to www.p65warnings.ca.gov



Westin Automotive Products, Inc.
320 W. Covina Blvd
San Dimas, Ca. 91773

Thank you for choosing Westin products
for additional installation assistance please call
Customer Service (800) 793-7846
www.westinautomotive.com