

# INSTALLATION INSTRUCTIONS

## AT6 Running Boards

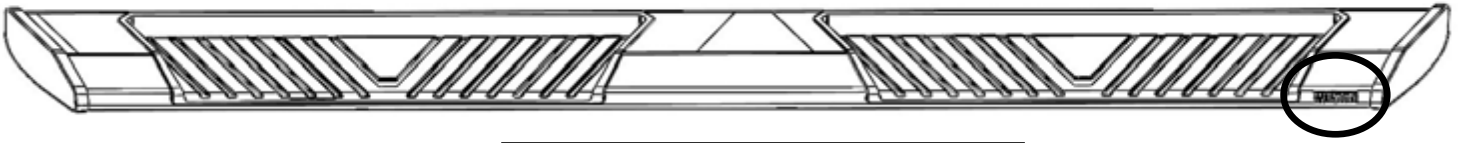


**APPLICATION:**  
2022 and Up Toyota Tundra CrewMax

**PART NUMBER:**  
24-64235

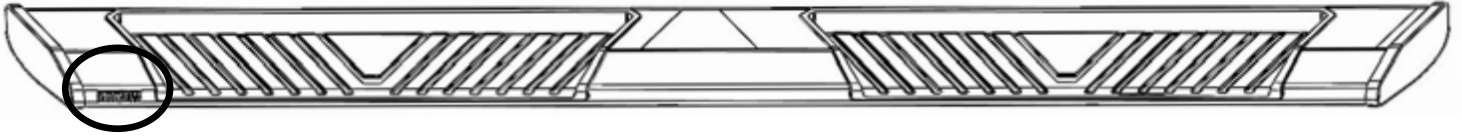
<b>CONTENT</b>			
<b>ITEM</b>	<b>QUANTITY</b>	<b>DESCRIPTION</b>	<b>TOOLS REQUIRED</b>
1	1	DRIVER RUNNING BOARD	13MM SOCKET
2	1	PASSENGER RUNNING BOARD	12MM SOCKET
3	1	DRIVER MOUNTING BRACKET A	10MM SOCKET
4	1	PASSENGER MOUNTING BRACKET A	10MM WRENCH
5	2	DRIVER MOUNTING BRACKET B	RATCHET
6	2	PASSENGER MOUNTING BRACKET B	TORQUE WRENCH
7	6	BRACKET COVER	
8	12	M8 HEX HEAD CAP SCREW	
9	12	M8 SQUARE HEAD SCREW	
10	24	M8 FLAT WASHER	
11	24	M8 SPLIT LOCK WASHER	
12	12	M8 HEX NUT	
13	12	M6 HEX HEAD CAP SCREW	
14	24	M6 FLAT WASHER	
15	12	M6 NYLON NUT	

**ANTI-SEIZE LUBRICANT MUST BE USED ON ALL STAINLESS STEEL FASTENERS TO PREVENT THREAD DAMAGE AND GALLING**

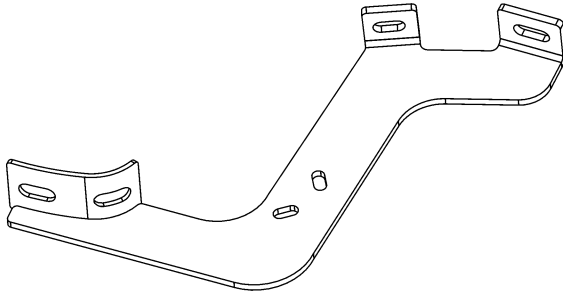


ITEM 1

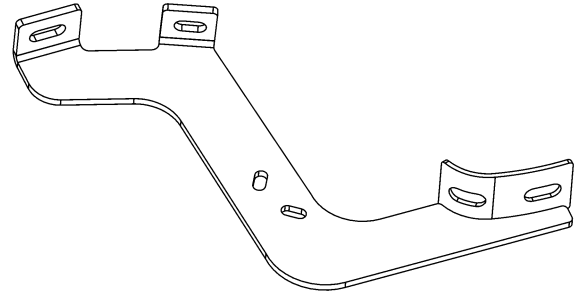
Note: Locate the Westin Logo on the Running Boards to identify the driver/passenger sides.



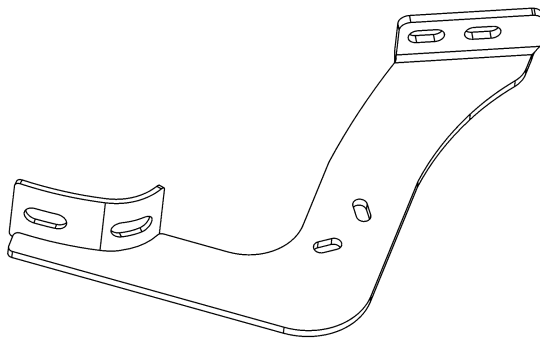
ITEM 2



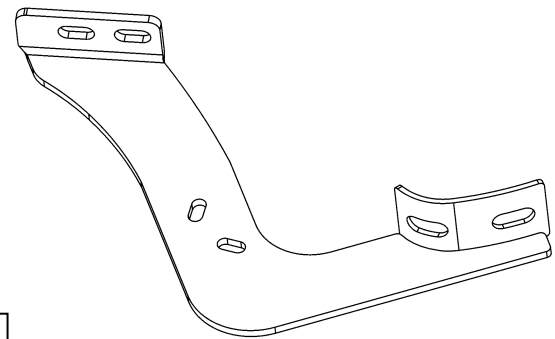
ITEM 3



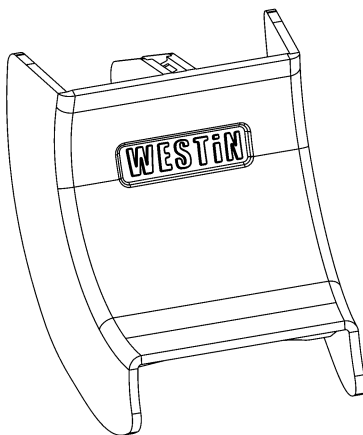
ITEM 4



ITEM 5



ITEM 6



ITEM 7

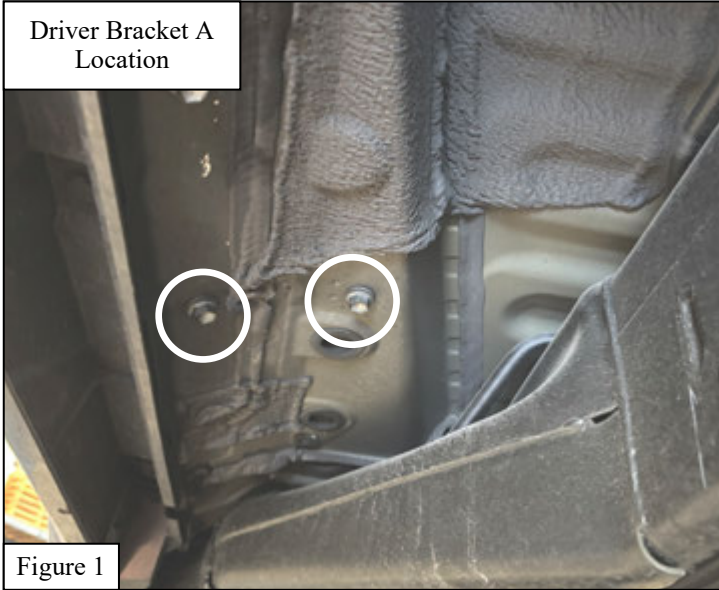
## PROCEDURE

1. Remove contents from box, verify if all parts listed are present and free from damage. Carefully read and understand all instructions before attempting installation.

**Failure to identify damage before installation could lead to a rejection of any claim.**

2. Locate the mounting locations with factory bolts preinstalled in them. Remove the factory bolts from the threaded holes. See **Figures 1 and 2**. *Note: The factory bolts will not be reused.*

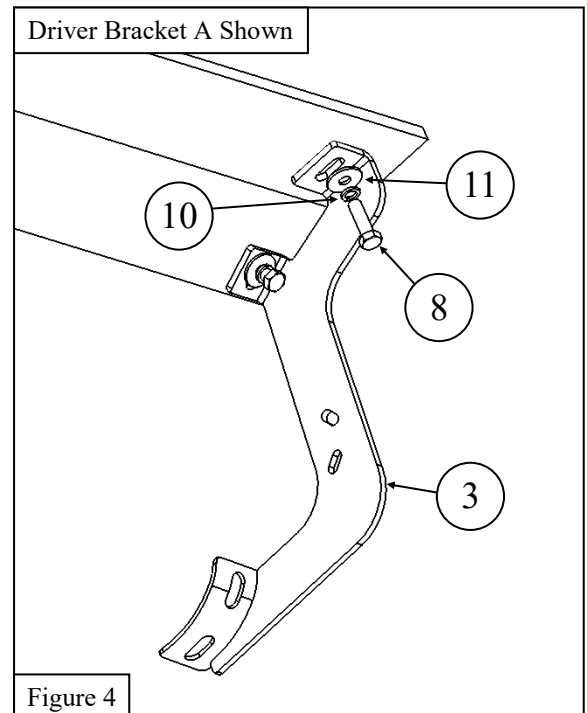
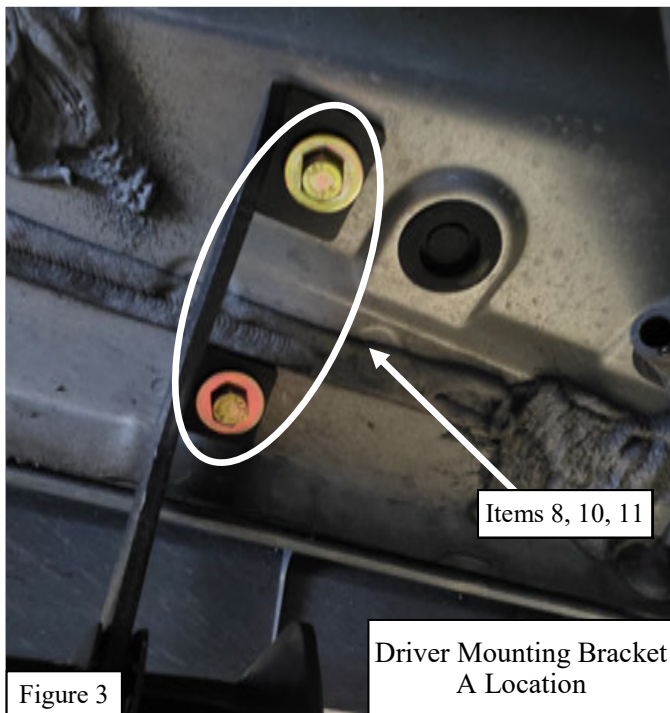
Driver Bracket A Location



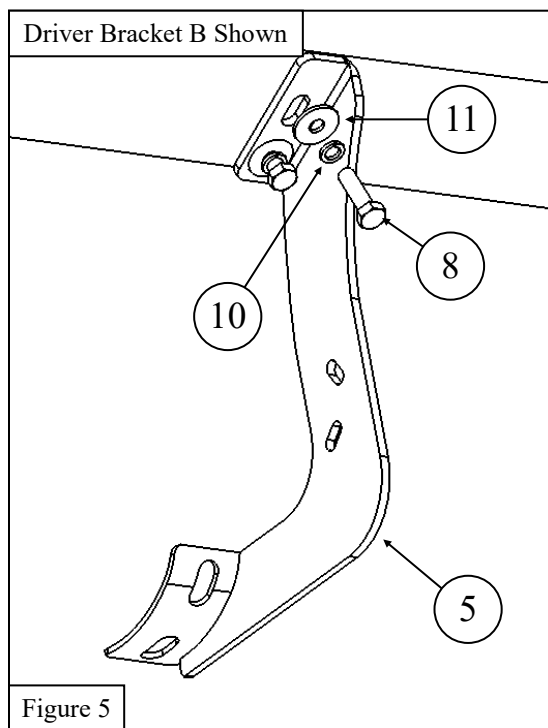
Driver Mounting Bracket B Location



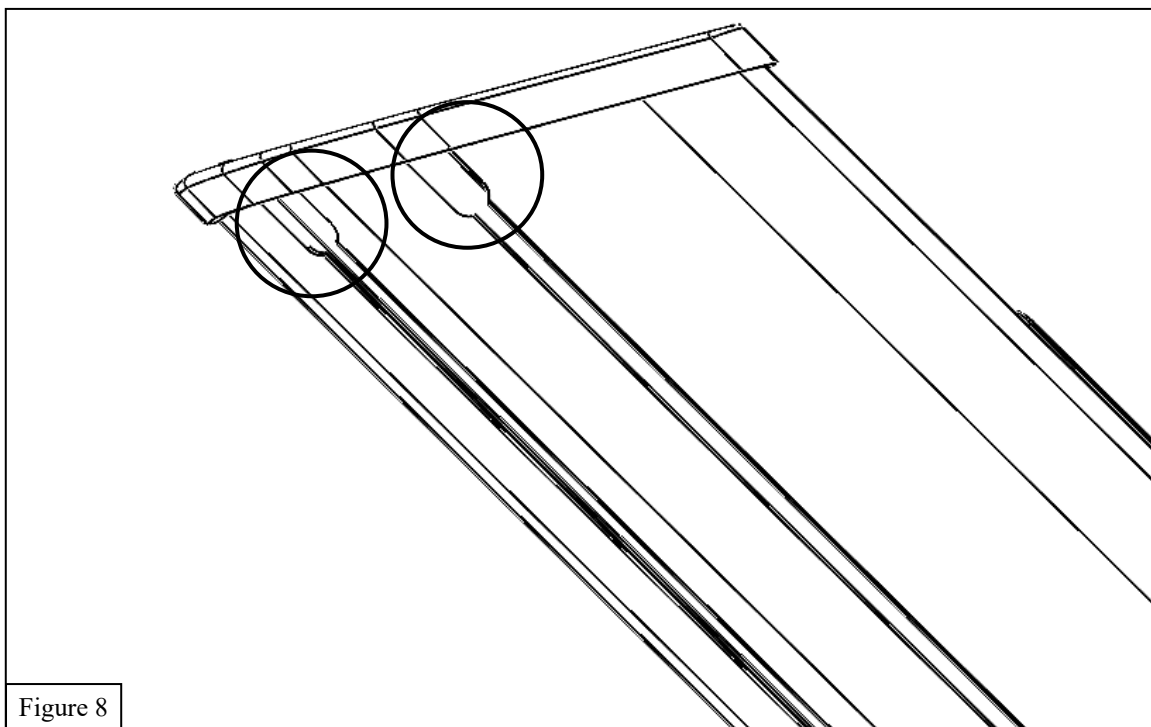
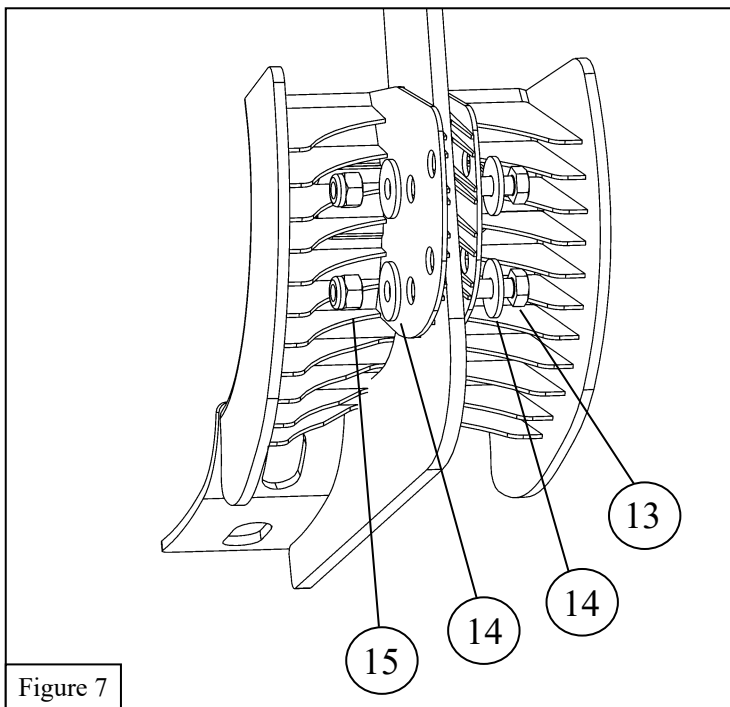
3. Locate the Driver Mounting Bracket A (**item 3**) and loosely install it to the driver front mounting location on the rocker panel using the supplied M8 hardware (**items 8, 10, 11**). See **Figures 3 and 4**.



4. Locate the Driver Mounting Bracket B (**item 5**) and loosely install the Driver Mounting Bracket B in the front Driver Mounting Bracket B location using the M8 hardware (**items 8, 10, 11**). See **Figures 5 and 6**.
5. Repeat Step 4 for the remaining Driver Mounting Bracket B location.
6. Repeat Steps 3-5 on the passenger side of the vehicle using the passenger-side brackets (**items 4 and 6**).



7. Loosely install the Bracket Covers (**item 7**) to each of the mounting brackets using the provided M6 hardware (**items 13, 14, 15**). See **Figure 7**.
8. Slide three M8 Square Head Screws (**item 9**) into each rail underneath the Running Boards (**items 1 and 2**). See **Figure 8**.



9. Mount the Running Boards (**items 1 and 2**) to each bracket using the M8 Square-Head Screws from the previous step and the remaining hardware (**items 9, 10, 11, 12**). See **Figure 9**.
10. Align and adjust the brackets and running boards as needed. Tighten and torque all hardware as specified: M8 hardware to 17-19 ft-lbs. and M6 hardware to 5-8 ft-lbs.

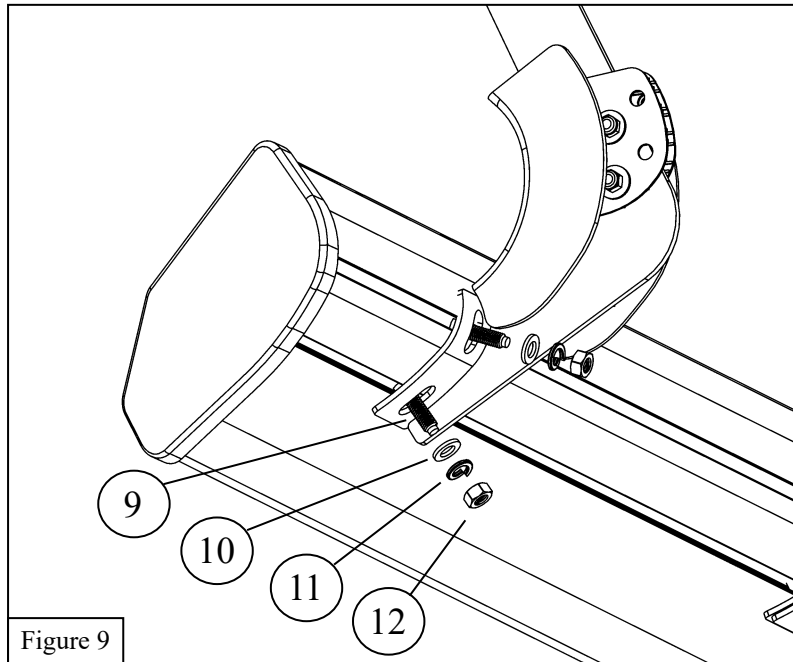


Figure 9

Installation Complete



#### CARE INSTRUCTIONS

- TEXTURE BLACK FINISHES SHOULD BE CLEANED WITH MILD SOAP AND WATER ONLY ( DO NOT WAX ).
- GLOSS BLACK FINISHES SHOULD BE CLEAN WITH MILD SOAP AND WATER.
- POLISHED STAINLESS PRODUCTS SHOULD BE CLEANED WITH MILD SOAP AND WATER. STAINLESS STEEL POLISH MAY BE USED TO REMOVE SMALL SCRATCHES.
- REGULAR WAXING IS RECOMMENDED FOR GLOSS BLACK AND STAINLESS STEEL PRODUCTS. DO NOT USE WAX THAT MAY CONTAIN ABRASIVES.

**WESTIN**

Westin Automotive Products, Inc.  
320 W. Covina Blvd  
San Dimas, Ca. 91773

P.N.: 75-2464235-RevA

ECO #: W25-0031

7

Thank you for choosing Westin products  
for additional installation assistance please call  
Customer Service (800) 793-7846  
[www.westinautomotive.com](http://www.westinautomotive.com)

DATE: 5/26/2026



## WARNING



Failure to follow these instructions could lead to death, personal injury, and / or property damage.

Failure to follow these instructions could lead to death, personal injury, and / or property damage.

### FASTENERS:

All Westin supplied fasteners must be utilized and installed in accordance with the installation instructions and apply torque to the specifications as defined. **DOUBLE CHECK ALL FASTENERS BEFORE INITIAL USE, AND PERIODICALLY IN THE FUTURE TO ENSURE PROPER FUNCTION AND SAFETY.**

### DRILLING:

Most Westin products do not require drilling for installation. If drilling is defined as required, use caution when drilling a vehicle. **FAILURE TO REVIEW AN AREA TO BE DRILLED MAY RESULT IN PERSONAL INJURY AND/OR INJURY TO OTHERS AS WELL AS VEHICLE DAMAGE.**

### EYE PROTECTION:

**ALWAYS WEAR SAFETY GLASSES OR GOGGLES DURING THE INSTALLATION PROCESS TO AVOID PERSONAL INJURY.**

### MAXIMUM TOWING/CARRYING CAPACITY: (if applicable)

The Westin Receiver Hitches will have a visible tow rating label affixed directly on the product. User should never exceed the vehicle manufacturers maximum tow and weight rating regardless of the capacity of the hitch. **FAILURE TO FOLLOW THESE GUIDELINES WILL VOID THE WESTIN WARRANTY AND MAY RESULT IN PERSONAL INJURY AND/OR INJURY TO OTHERS AS WELL AS VEHICLE DAMAGE.**

### FOR CALIFORNIA RESIDENTS ONLY-PROP 65 WARNING:

Some products may contain chemicals such as DEHP, which can cause cancer, birth defects or other reproductive harm. For more info go to [www.p65warnings.ca.gov](http://www.p65warnings.ca.gov)



Westin Automotive Products, Inc.  
320 W. Covina Blvd  
San Dimas, Ca. 91773