



# INSTALLATION INSTRUCTIONS

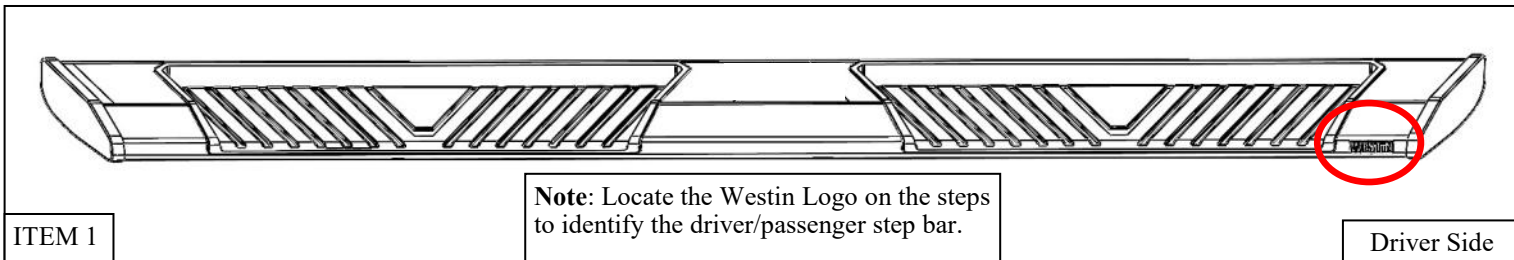
## AT6 RUNNING BOARDS

**APPLICATION:**  
2020-2025 Jeep Gladiator

**PART NUMBER:**  
24-64165

<b>CONTENT</b>			
<b>ITEM</b>	<b>QUANTITY</b>	<b>DESCRIPTION</b>	<b>TOOLS NEEDED</b>
1	2	DRIVER SIDE RUNNING BOARD	RATCHET
2	1	PASS SIDE RUNNING BOARD	TORQUE WRENCH
3	1	FRONT DRIVER MOUNTING BRACKET	10MM SOCKET
4	1	FRONT DRIVER SUPPORT BRACKET	13MM SOCKET
5	1	FRONT PASSENGER MOUNTING BRACKET	13MM WRENCH
6	1	FRONT PASSENGER SUPPORT BRACKET	5MM ALLEN WRENCH
7	1	DRIVER CENTER MOUNTING BRACKET	SOCKET EXTENSION
8	1	PASSENGER CENTER MOUNTING BRACKET	
9	1	DRIVER CENTER/REAR SUPPORT BRACKET	
10	1	PASSENGER CENTER/REAR SUPPORT BRACKET	
11	1	DRIVER REAR MOUNTING BRACKET	
12	1	PASSENGER REAR MOUNTING BRACKET	
13	6	M8 EXTRUDED U NUT	
14	12	M8 HEX HEAD BOLT (YELLOW ZINC)	
15	12	M8 SQUARE HEAD BOLT (YELLOW ZINC)	
16	36	M8 SPLIT LOCK WASHER (YELLOW ZINC)	
17	30	M8 HEX NUT (YELLOW ZINC)	
18	12	M8 FLAT WASHER LARGE (YELLOW ZINC)	
19	42	M8 FLAT WASHER SMALL (YELLOW ZINC)	
20	12	M8 BUTTON HEAD BOLT (YELLOW ZINC)	

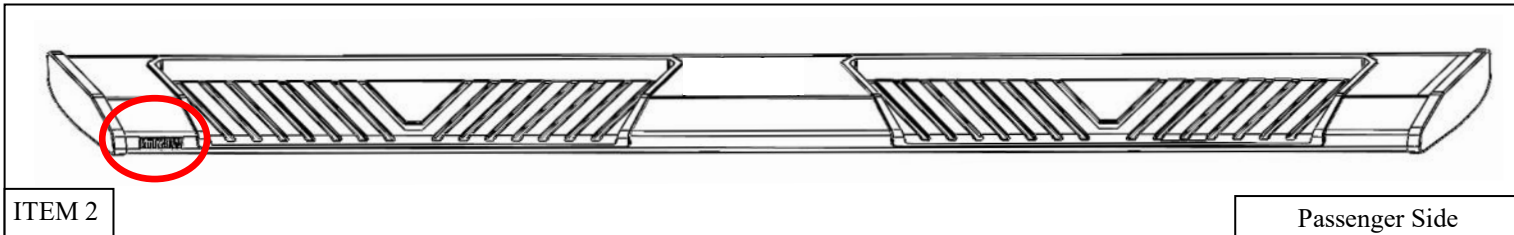
**ANTI-SEIZE LUBRICANT MUST BE USED ON ALL STAINLESS STEEL FASTENERS TO PREVENT THREAD DAMAGE AND GALLING**



ITEM 1

Note: Locate the Westin Logo on the steps to identify the driver/passenger step bar.

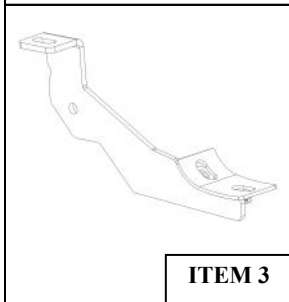
Driver Side



ITEM 2

Passenger Side

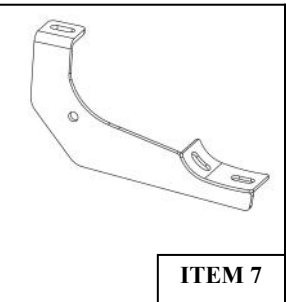
DRIVER SIDE BRACKETS



ITEM 3



ITEM 4



ITEM 7



ITEM 11



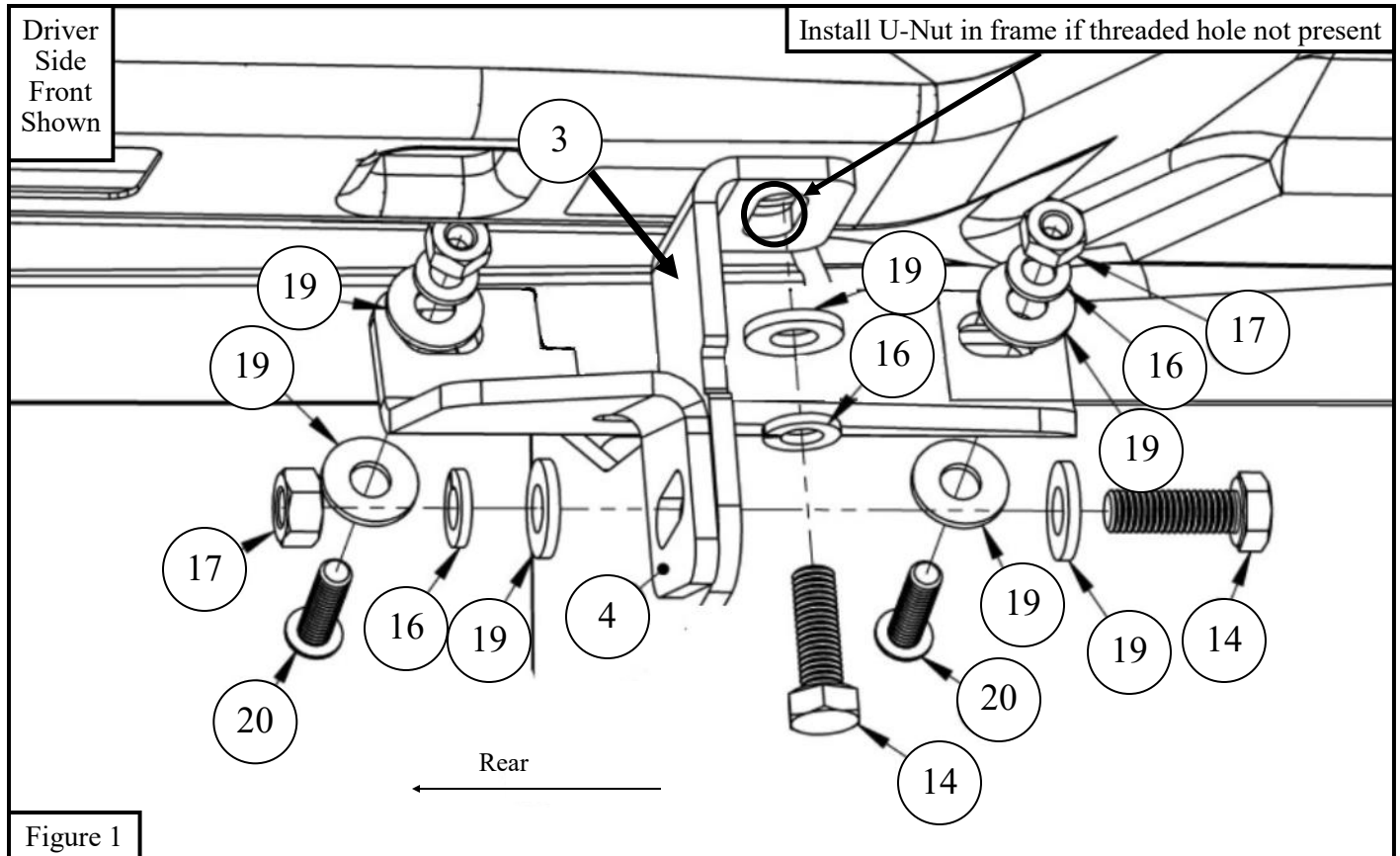
ITEM 9

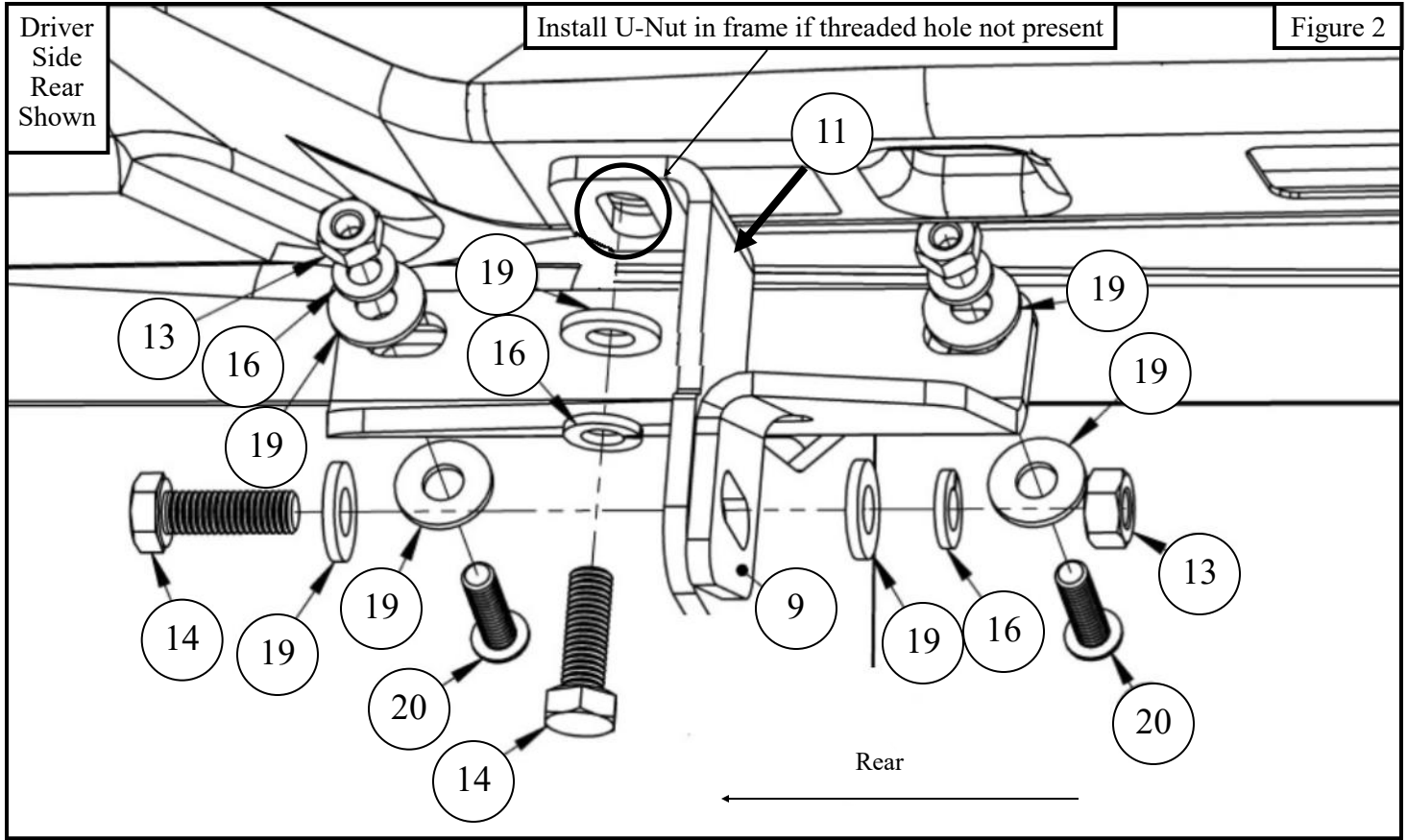
PASSENGER SIDE BRACKETS OPPOSITE

PROCEDURE

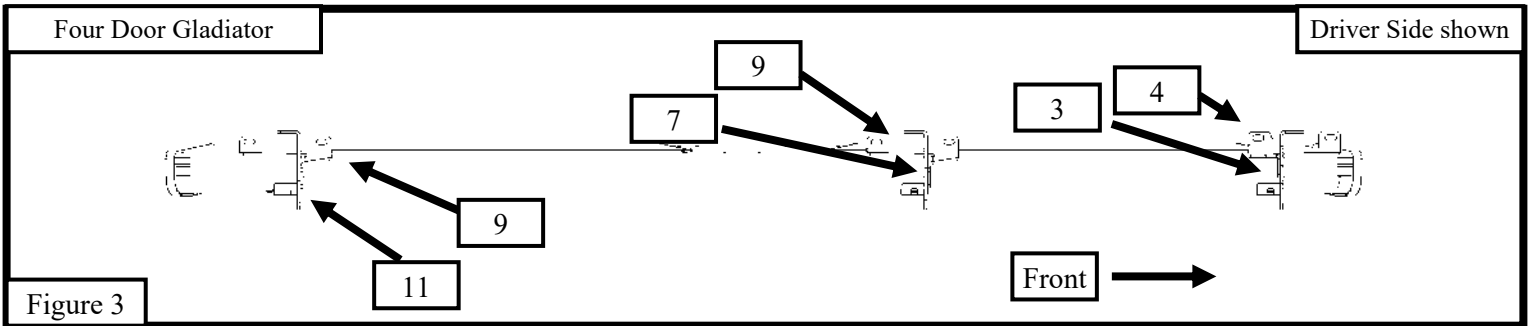
1. Remove contents from box, verify if all parts listed are present and free from damage. Carefully read and understand all instructions before attempting installation. **Failure to identify damage before installation could lead to a rejection of any claim.**

2. Starting at the driver front mount location, locate the Front Driver Mounting Bracket (Item 3) and the Front Driver Support Bracket (Item 4). Loosely secure brackets, using: (4) M8 hex head cap screws (Item 14), (1) M8 extruded u-nuts (Item 13), (4) M8 split lock washers (Item 16), (3) M8 hex nuts (Item 17), (5) M8 small flat washers (Item 19), See Figure 1. **Note: M8 extruded u-nut is only used if a threaded hole is not present (circled on Figure 1).**
3. For the rear mounting location, locate (1) Driver Rear Mounting Bracket (Item 11) and (1) Driver Center/Rear Support Bracket (Item 9). Loosely secure brackets, using: (4) M8 hex head cap screw, (1) M8 extruded u-nut, (4) M8 split lock washer, (3) M8 hex nut, (5) M8 small flat washer. **Note: M8 extruded u-nut is only used if a threaded hole is not present. See Figure 2.**



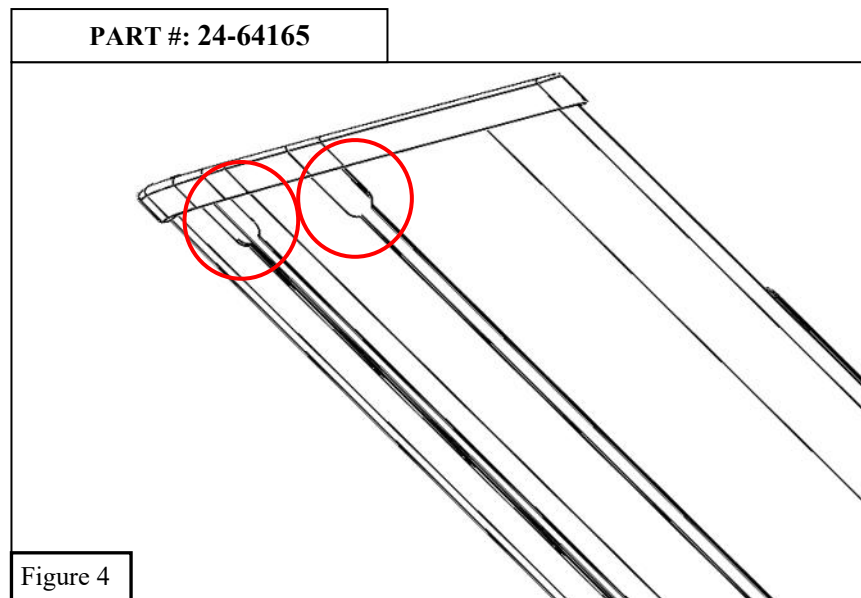


4. Mount the center brackets in the same orientation as the rear brackets.
5. Repeat **Steps 2-4** on the passenger side.
6. See **Figure 3** for visual bracket orientation of the driver side.



## Textured Black Aluminum AT6 Running Boards

7. Slide (3) M8 square head screws (Item 15) into each of the rails underneath the running board. See Fig. 4.
8. Loosely install the Textured Black Aluminum AT6 Running Board to the previously installed mounting brackets using the supplied M8 flat large washers (Item 18), M8 split lock washers (Item 16), and M8 hex nuts (Item 17).
9. Align and adjust as necessary then torque hardware : M8 to 15-18 ft-lbs



Westin Automotive Products, Inc.  
320 W. Covina Blvd  
San Dimas, Ca. 91773

INSTALLATION COMPLETE



CARE INSTRUCTIONS

- TEXTURE BLACK FINISHES SHOULD BE CLEANED WITH MILD SOAP AND WATER ONLY (DO NOT WAX).
- GLOSS BLACK FINISHES SHOULD BE CLEANED WITH MILD SOAP AND WATER.
- POLISHED STAINLESS PRODUCTS SHOULD BE CLEANED WITH MILD SOAP AND WATER. STAINLESS STEEL POLISH MAY BE USED TO REMOVE SMALL SCRATCHES.
- REGULAR WAXING IS RECOMMENDED FOR GLOSS BLACK AND STAINLESS STEEL PRODUCTS. DO NOT USE WAX THAT MAY CONTAIN ABRASIVES.

**WESTIN** Westin Automotive Products, Inc.  
320 W. Covina Blvd  
San Dimas, Ca. 91773

Thank you for choosing Westin products  
for additional installation assistance please call  
Customer Service (800) 793-7846  
[www.westinautomotive.com](http://www.westinautomotive.com)  
DATE: 12/8/25



## WARNING



Failure to follow these instructions could lead to death, personal injury, and / or property damage.

### FASTENERS:

All Westin supplied fasteners must be utilized and installed in accordance with the installation instructions and apply torque to the specifications as defined. **DOUBLE CHECK ALL FASTENERS BEFORE INITIAL USE, AND PERIODICALLY IN THE FUTURE TO ENSURE PROPER FUNCTION AND SAFETY.**

### DRILLING:

Most Westin products do not require drilling for installation. If drilling is defined as required, use caution when drilling a vehicle. **FAILURE TO REVIEW AN AREA TO BE DRILLED MAY RESULT IN PERSONAL INJURY AND/OR INJURY TO OTHERS AS WELL AS VEHICLE DAMAGE.**

### EYE PROTECTION:

**ALWAYS WEAR SAFETY GLASSES OR GOGGLES DURING THE INSTALLATION PROCESS TO AVOID PERSONAL INJURY.**

### MAXIMUM TOWING/CARRYING CAPACITY: (if applicable)

The Westin Receiver Hitches will have a visible tow rating label affixed directly on the product. User should never exceed the vehicle manufacturers maximum tow and weight rating regardless of the capacity of the hitch. **FAILURE TO FOLLOW THESE GUIDELINES WILL VOID THE WESTIN WARRANTY AND MAY RESULT IN PERSONAL INJURY AND/OR INJURY TO OTHERS AS WELL AS VEHICLE DAMAGE.**

### FOR CALIFORNIA RESIDENTS ONLY-PROP 65 WARNING:

Some products may contain chemicals such as DEHP, which can cause cancer, birth defects or other reproductive harm. For more info go to [www.p65warnings.ca.gov](http://www.p65warnings.ca.gov)



Westin Automotive Products, Inc.  
320 W. Covina Blvd  
San Dimas, Ca. 91773