



# INSTALLATION INSTRUCTIONS

## Hidden Winch Mount

**APPLICATION:**

2021-2026 Ford Bronco (Excl. Raptor &amp; Sport)

**PART NUMBER:**

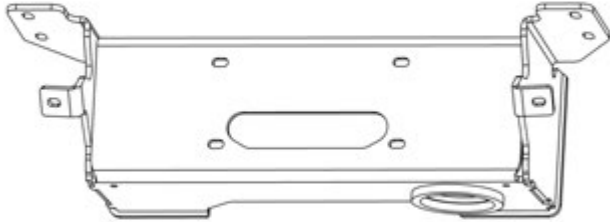
2404185

ITEM	QUANTITY	DESCRIPTION	TOOLS NEEDED
1	1	WINCH MOUNT TRAY	TORQUE WRENCH
2	1	SKID PLATE	10MM SOCKET
3	1	COVER PANEL	17MM SOCKET
4	2	SPACER PLATE	19MM SOCKET
5	1	CONTROL BOX BRACKET	ALLEN WRENCH
6	1	MOTOR CABLE "A"	RATCHET
7	1	MOTOR CABLE "B"	
8	1	MOTOR CABLE "C"	
9	1	DRUM LIGHT CABLE	
10	1	POWER CABLE	
11	1	COOLER BRACKET "A"	
12	1	COOLER BRACKET "B"	
13	1	COOLANT PUMP BRACKET	
14	1	LOOP CLAMP	
15	1	HOSE CLAMP	
16	4	M12 HEX HEAD BOLT (YELLOW ZINC)	
17	4	M12 SPLIT LOCK WASHER (YELLOW ZINC)	
18	4	M12 FLAT WASHER (YELLOW ZINC)	
19	2	M10 HEX HEAD BOLT (YELLOW ZINC)	
20	2	M10 SPLIT LOCK WASHER (YELLOW ZINC)	
21	2	M10 FLAT WASHER (YELLOW ZINC)	
22	3	M8 HEX HEAD BOLT (YELLOW ZINC)	
23	3	M8 SPLIT LOCK WASHER (YELLOW ZINC)	
24	3	M8 FLAT WASHER (YELLOW ZINC)	
25	2	M8 U-CLIP (YELLOW ZINC)	
26	7	M6 HEX HEAD BOLT (YELLOW ZINC)	
27	2	M6 BUTTON HEAD BOLT (YELLOW ZINC)	
28	11	M6 SPLIT LOCK WASHER (YELLOW ZINC)	
29	2	M6 LARGE FLAT WASHER (YELLOW ZINC)	
30	12	M6 MEDIUM FLAT WASHER (YELLOW ZINC)	
31	6	M6 HEX NUT (YELLOW ZINC)	

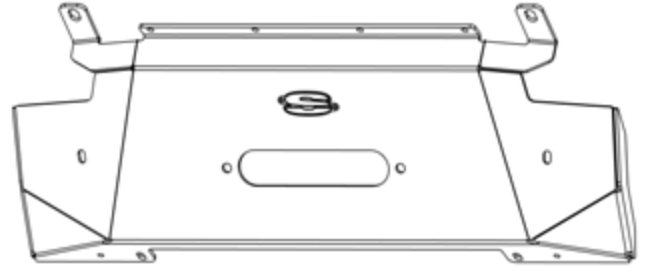
**ANTI-SEIZE LUBRICANT MUST BE USED ON ALL STAINLESS STEEL FASTENERS TO PREVENT THREAD DAMAGE AND GALLING**

32	2	M8 HEX HEAD BOLT (BLACK ZINC)	
33	2	M8 LONG BUTTON HEAD BOLT (BLACK ZINC)	
34	2	M8 SHORT BUTTON HEAD BOLT (BLACK ZINC)	
35	6	M8 SPLIT LOCK WASHER (BLACK ZINC)	
36	6	M8 FLAT WASHER (BLACK ZINC)	
37	2	M8 SERRATED FLANGED HEX NUT (BLACK ZINC)	
38	2	M6 FLAT HEAD BOLT (BLACK ZINC)	
39	4	M5 SOCKET HEAD BOLT (BLACK ZINC)	
40	4	M5 SERRATED FLANGED HEX NUT (BLACK ZINC)	

**ANTI-SEIZE LUBRICANT MUST BE USED ON ALL STAINLESS STEEL FASTENERS TO PREVENT THREAD DAMAGE AND GALLING**



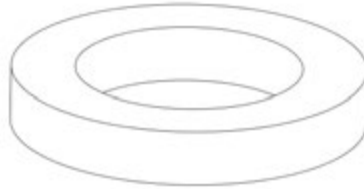
ITEM 1



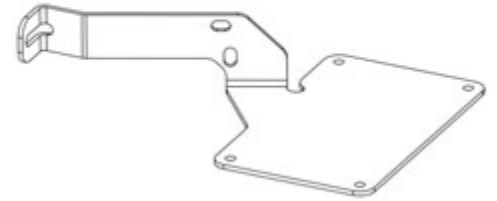
ITEM 2



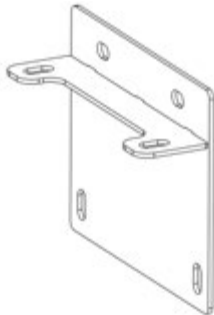
ITEM 3



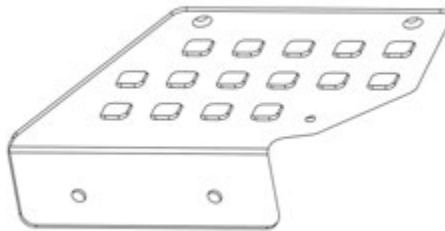
ITEM 4



ITEM 5



ITEM 11



ITEM 12

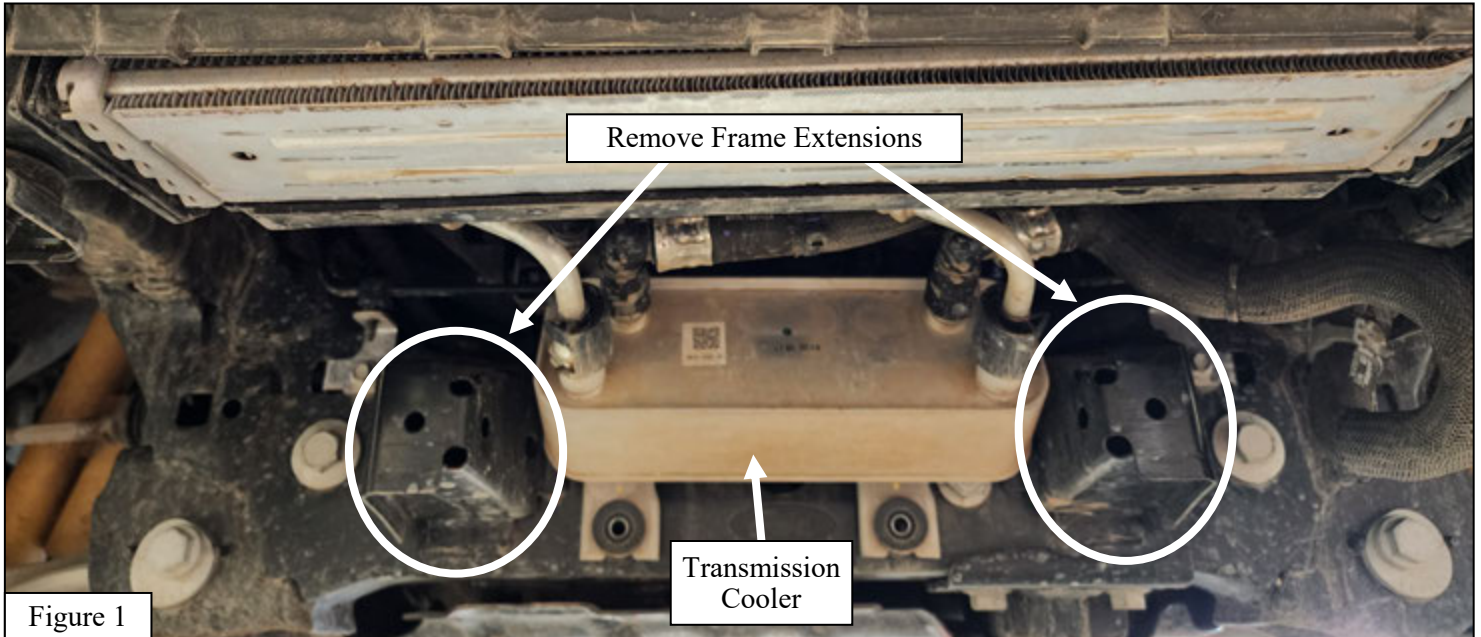


ITEM 13

## PROCEDURE

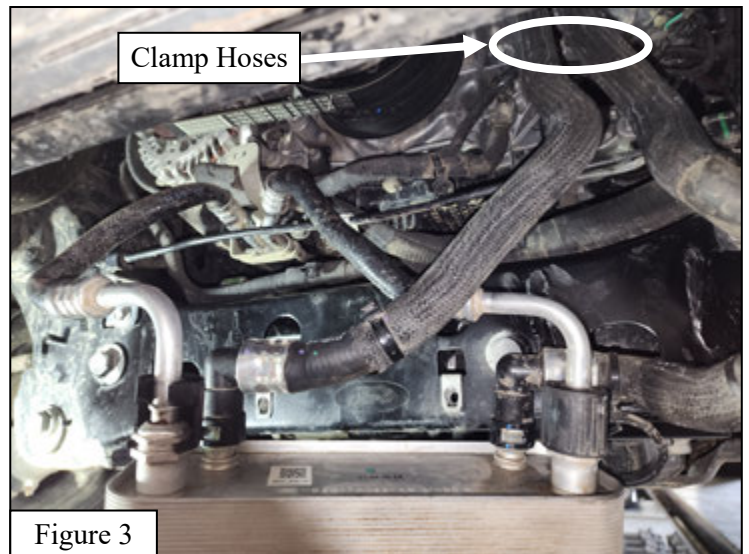
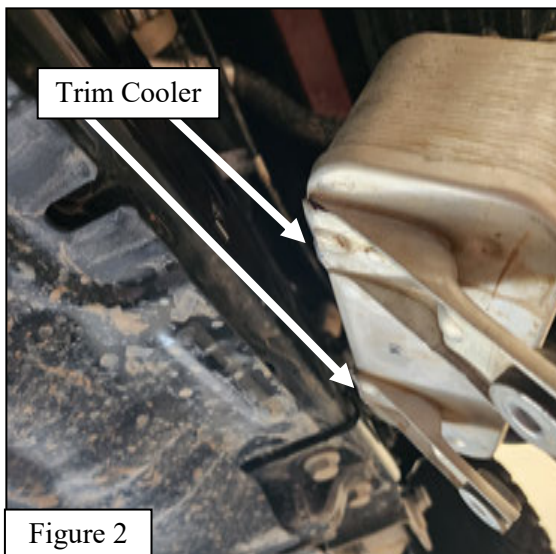
1. Remove contents from box, verify if all parts listed are present and free from damage.  
Carefully read and understand all instructions before attempting installation.  
**Failure to identify damage before installation could lead to a rejection of any claim.**

2. Remove the factory skid plate.
3. If equipped, remove the cooler from the frame.
4. Cut the frame extensions off of the frame. Make sure that the surface of the frame is smooth where the frame extensions were cut. See **Figure 1**.

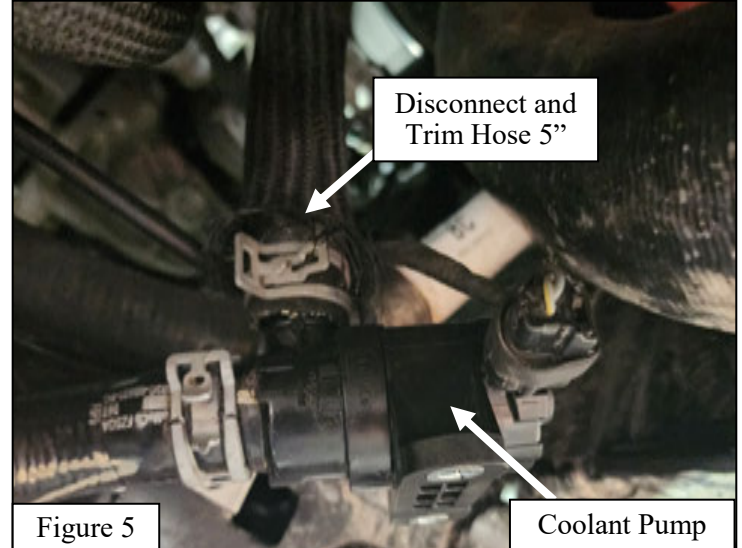
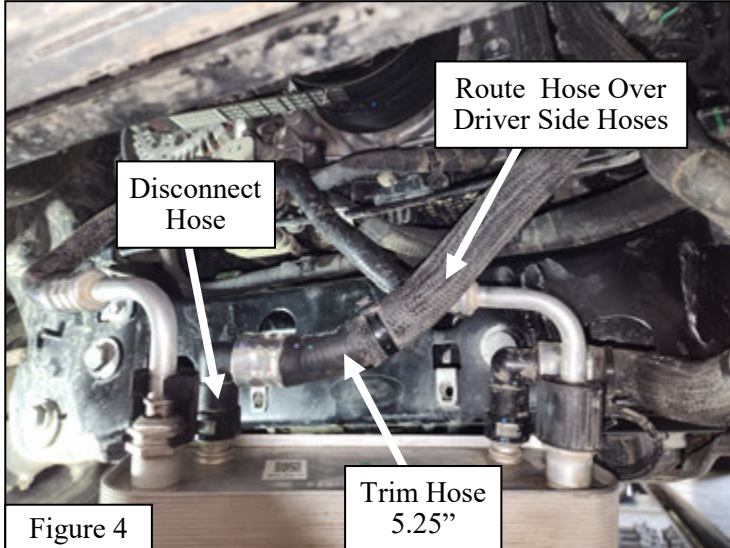


For V6 models with a transmission cooler, follow Steps 5-22. For models without a transmission cooler, skip to Step 23.

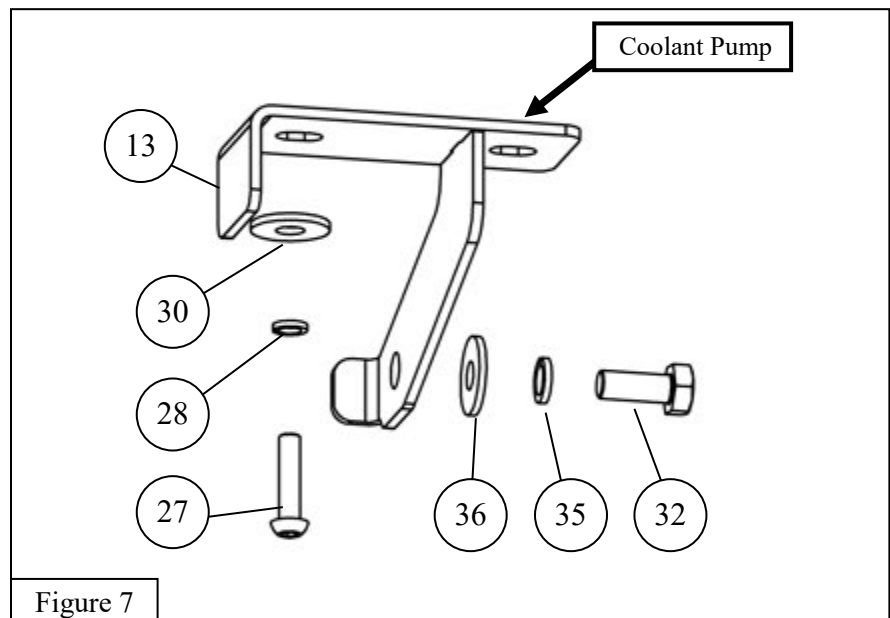
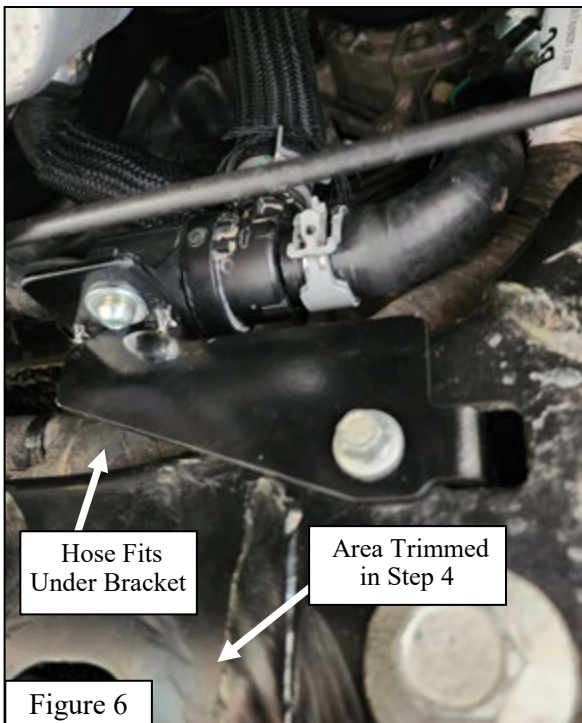
5. Trim the feet that attached the cooler to the top of the frame off of the transmission cooler. See **Figure 2**.
6. Clamp the two black hoses attached to the cooler. See **Figure 3**.



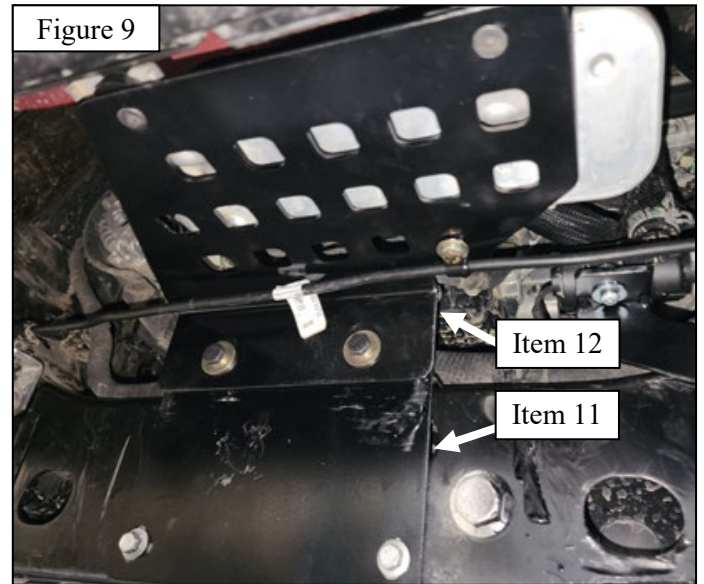
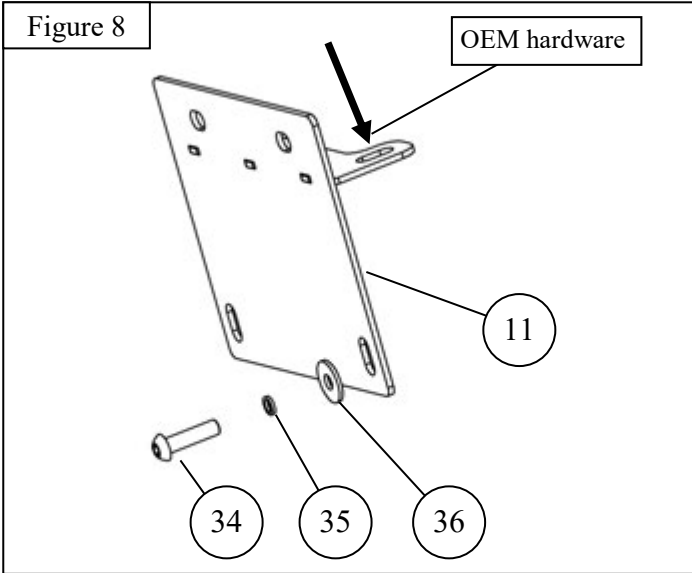
7. Disconnect the passenger side black hose from the cooler. See **Figure 4**.
8. Trim the passenger side black hose 5.25 inches. See **Figure 4**.
9. Reconnect the passenger side black hose to the fitting using the included hose clamp (**item 15**).
10. Route the passenger side black hose over the driver side hoses and reconnect it to the transmission cooler. See **Figure 4**.
11. Disconnect the long upper hose from the coolant pump. See **Figure 5**.
12. Trim 5 inches from the hose disconnected in the previous step. See **Figure 5**.
13. Reconnect the hose to the coolant pump. See **Figure 5**.
14. Remove the clamp from the hoses.



15. Attach the coolant pump to the coolant pump bracket (**item 13**) using the M6 hardware (**items 27, 28, 30, 31**). See **Figures 6 and 7**. Tighten M6 hardware to 7-8 ft-lbs.
16. Attach coolant pump bracket to the vehicle frame using the M8 hardware (**items 32, 35, 36**). See **Figures 6 and 7**. The coolant pump bracket will fit over the hose shown in **Figure 6**. Tighten M8 hardware to 15-18 ft-lbs.

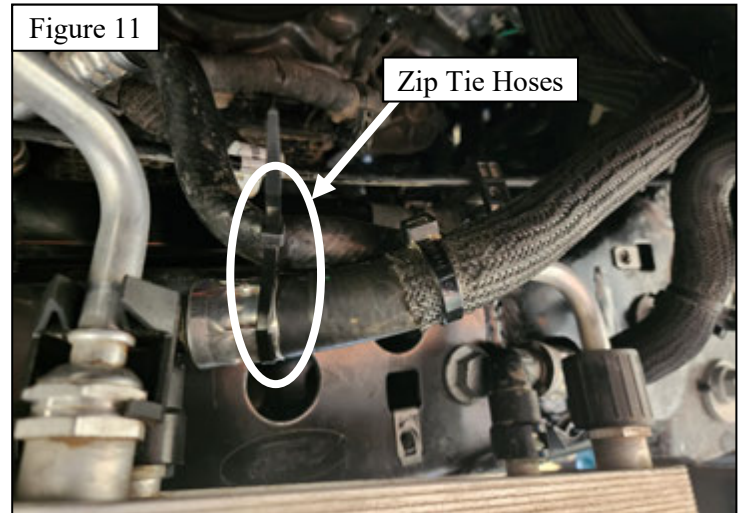
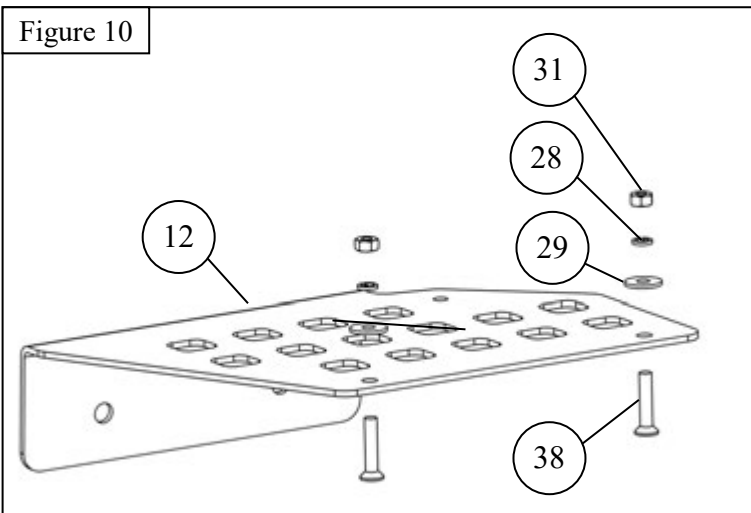


17. Attach Cooler Bracket 'A' (item 11) vehicle frame using the M8 Hex hardware (items 34-36) and OEM hardware. Tighten M8 hardware to 15-18 ft-lbs. See Figures 8 and 9.



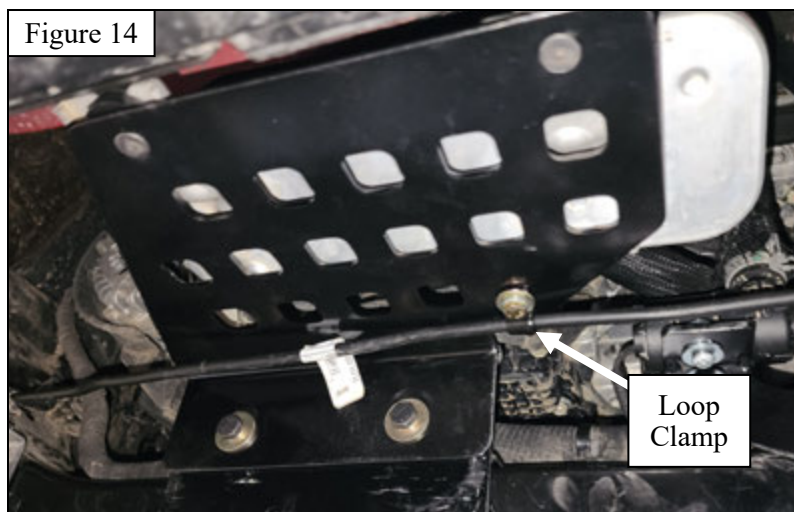
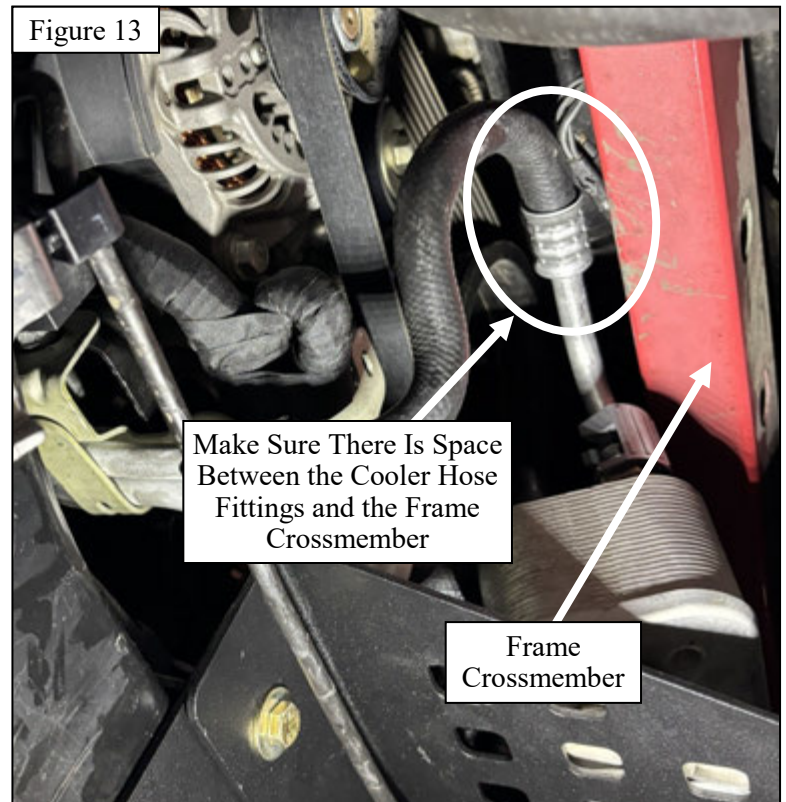
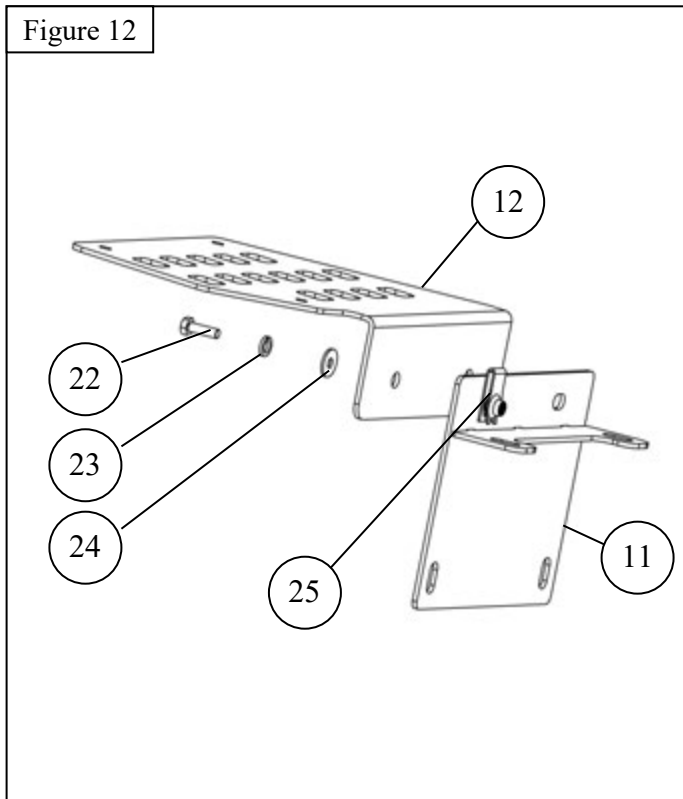
18. Attach the transmission cooler to Cooler Bracket 'B' (item 12) using the M6 hardware (items 28, 29, 31, 38). See Figure 10. Tighten M6 hardware to 7-8 ft-lbs.

19. Zip tie the transmission cooler hoses to keep the hoses away from moving engine components. See Figure 11.

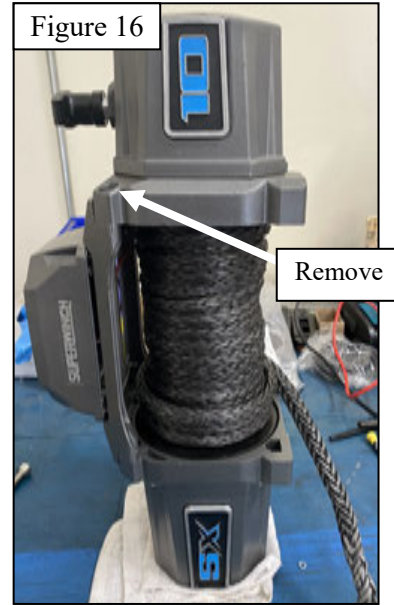
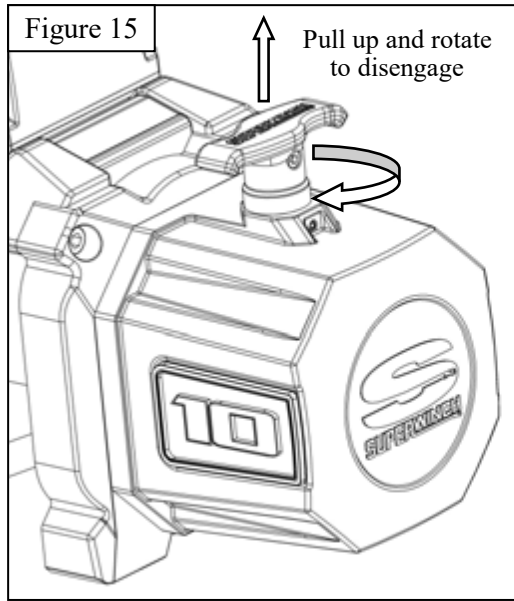


20. Attach Cooler Bracket 'B' (item 12) to Cooler Bracket 'A' using the M8 hardware (items 22-25). Tighten M8 hardware to 15-18 ft-lbs. See **Figure 12**.
21. Make sure the transmission cooler hoses are clear of all moving engine components. Use additional zip ties if needed.
22. Make sure there is space between the cooler hose fittings and the frame crossmember. Use additional zip ties if needed. See **Figure 13**.
23. Attach the brake line to Cooler Bracket 'B' using the M6 hardware (items 26, 28, 30, 31) and the loop clamp (item 14). See **Figure 14**. Tighten M6 hardware to 7-8 ft-lbs.

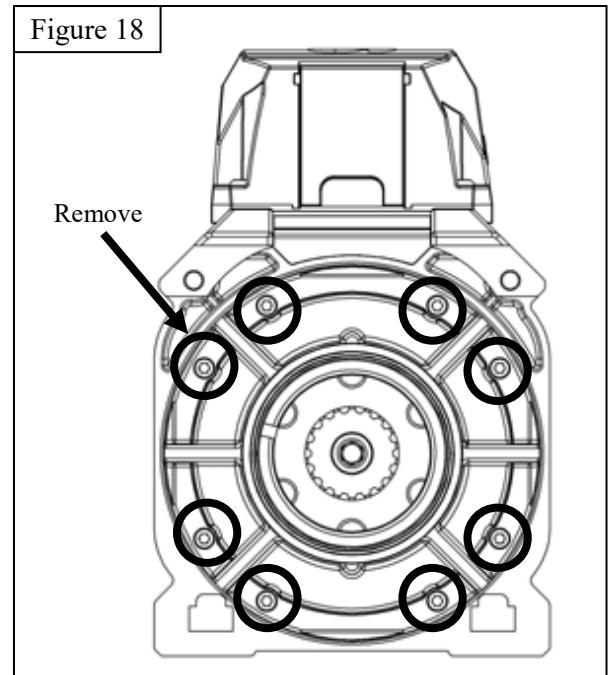
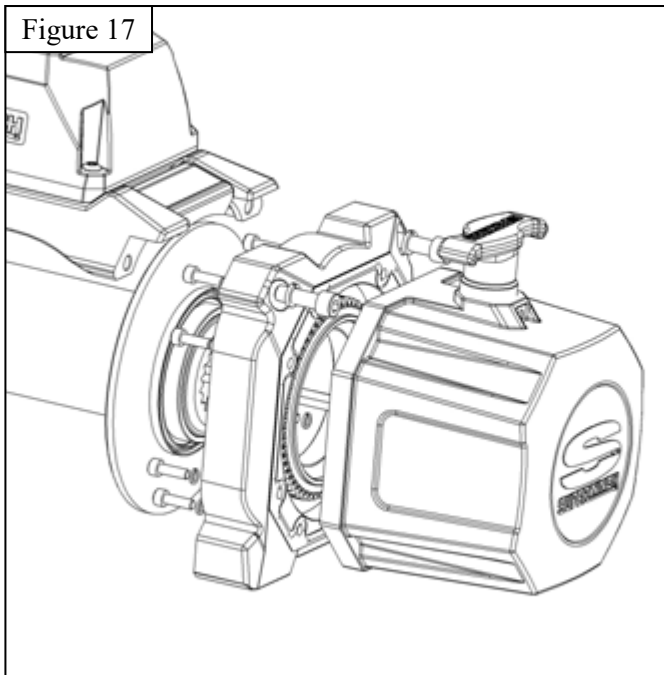
**Make sure all hoses and hose fittings are clear of moving parts. Make sure hose fittings are positioned away from the frame crossmember**



24. Pull and twist the SX winch clutch handle so that the clutch is in the free spool position. See **Figure 15**.
25. Stand the winch up onto the motor cover. See **Figure 16**.



26. Remove the (4) M8 bolts attaching the tie bar to the gear box and motor end of the winch to the tie bar and remove gear box end. See **Figure 17**.
27. Remove the gearbox assembly and tie bar from the winch.
28. Remove the eight bolts that attach the gear box to the drum support. See **Figure 18**.



29. Rotate the gear box to the position shown in **Figure 19**.
30. Replace the eight bolts that attach the gear box to the drum support.
31. Torque M5 bolts in a star pattern to 50-55 in-lb. **See Figure 20**.
32. Place the gearbox assembly onto the winch. Ensure the drive shaft and drum properly engage the gearbox. Rotate the gear-box assembly as necessary to engage the gearbox.
33. Install the tie bar. Torque the M8 tie bar bolts to 18 ft-lbs.

Figure 19

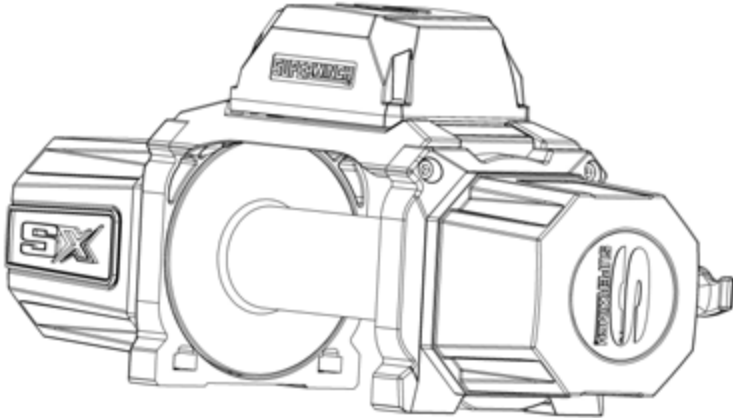
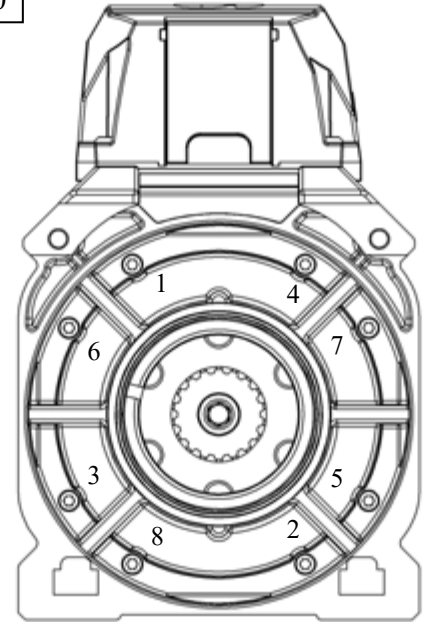
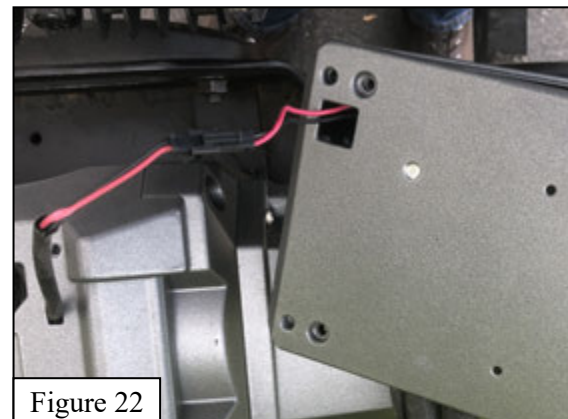
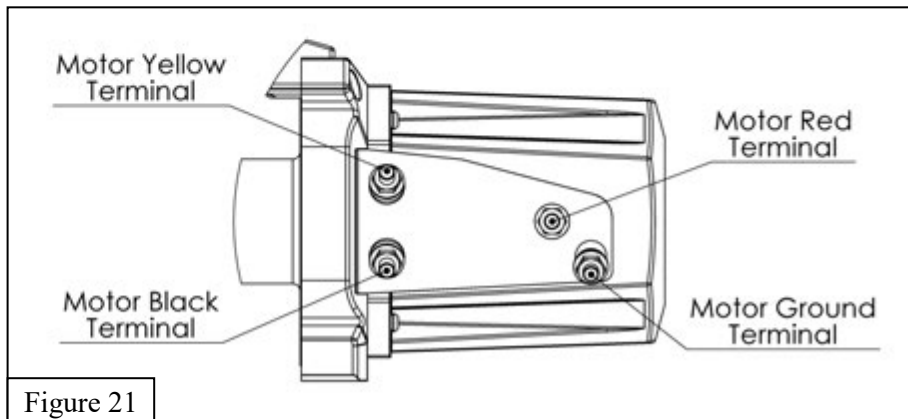


Figure 20

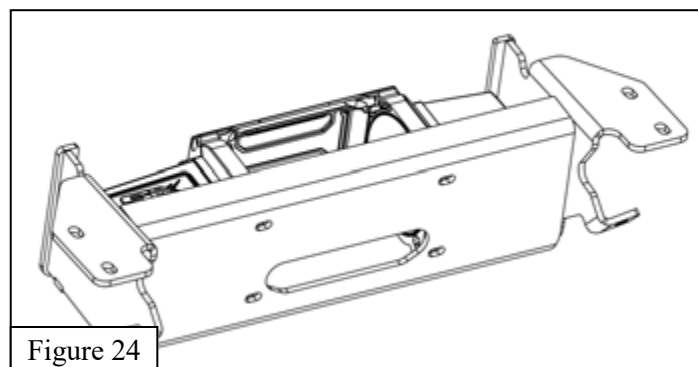
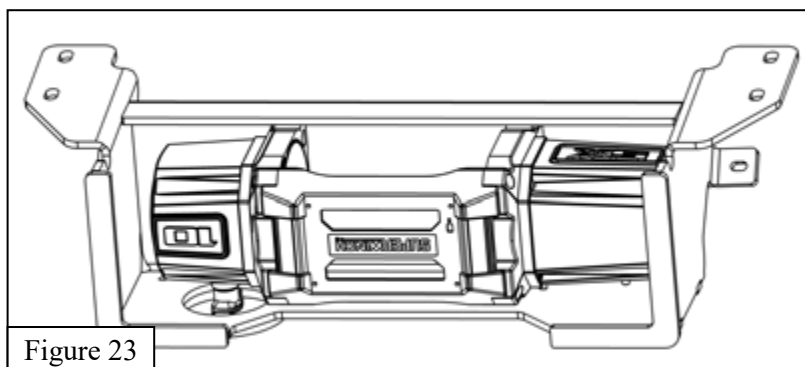


34. Disconnect the original cables from the motor.
35. Install (1) yellow terminal boot onto each end of the 6 foot long Motor Cable “A”.
36. Install (1) red terminal boot onto each end of the 6 foot long Motor Cable “B”.
37. Install (1) black terminal boot onto each end of the 6 foot long Motor Cable “C”.

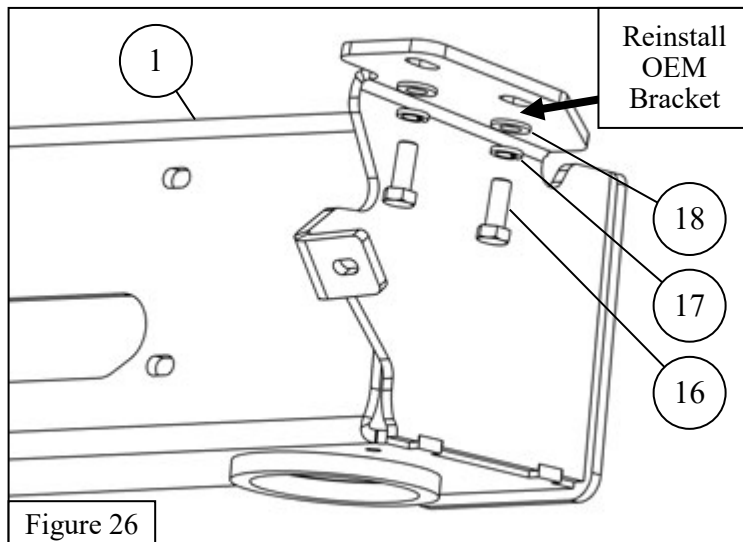
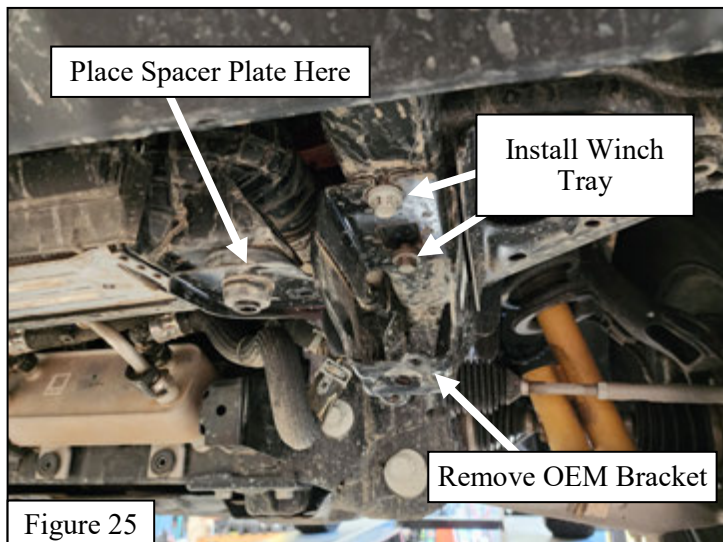
38. Install Motor Cable “A” with the yellow terminal boot onto the yellow motor terminal. **See Figure 21.**
39. Install Motor Cable “B” with the red terminal boot onto the red motor terminal. **See Figure 21.**
40. Install Motor Cable “C” with the black terminal boot onto the black motor terminal. **See Figure 21.**
41. Install the black ground cable included with the SX winch onto the motor ground terminal. **See Figure 21.**
42. Remove the control box from the winch.
43. Disconnect the drum light cable. **See Figure 22.**
44. Attach the 6 foot long drum light cable (**item 9**) to the drum light cable on the winch.



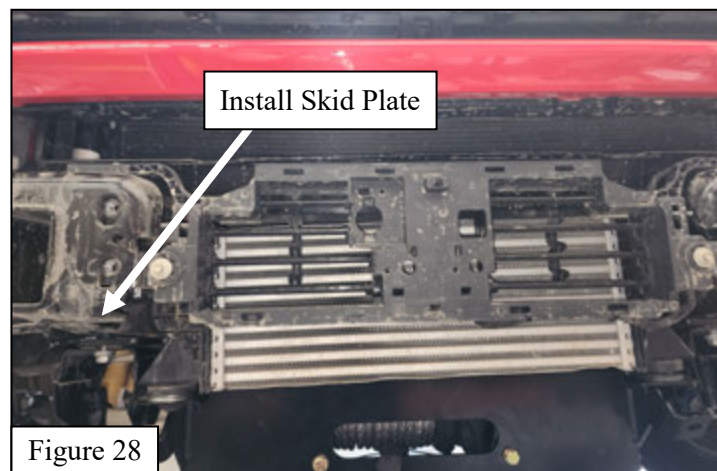
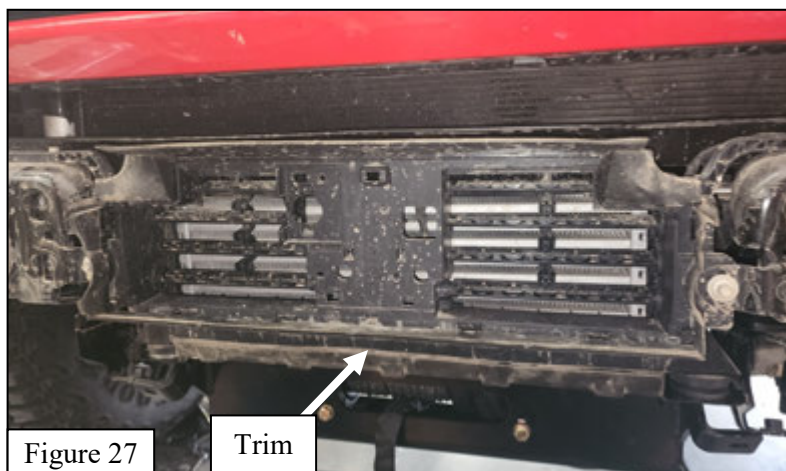
45. Install the winch onto the winch tray using the hardware included with the winch. **See Figures 23-24.**



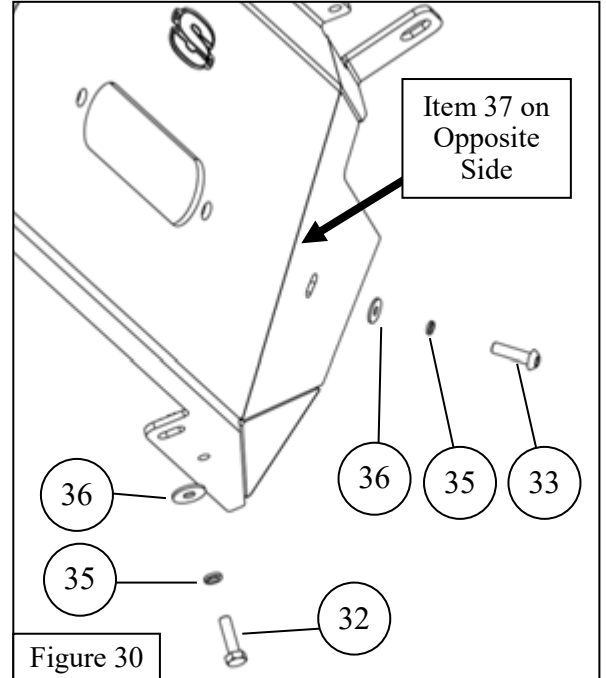
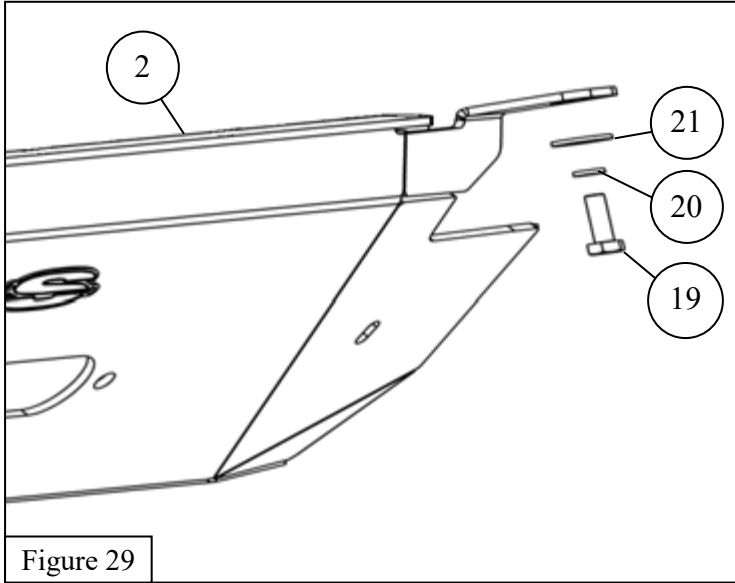
46. Remove the brackets shown in **Figure 25**. If equipped, remove the tow hooks. The tow hooks will be reused.
47. Route the winch cables upwards towards the engine bay.
48. Install the winch tray (**item 1**) onto the frame using the M12 hardware (**items 16-18**). Start by loosely installing the (2) back M12 bolts. Start reinstalling the OEM brackets by placing them under the winch tray so that they are aligned with the (2) holes in the frame that they were originally attached to. Slide the OEM brackets between the winch tray and the M12 flat washer. Install (1) spacer plate (**item 4**) on each side in the location shown in **Figure 25**. Install the (2) front M12 bolts through the OEM bracket and winch tray. Tighten the M12 hardware to 50-55 ft-lbs. See **Figure 26**.



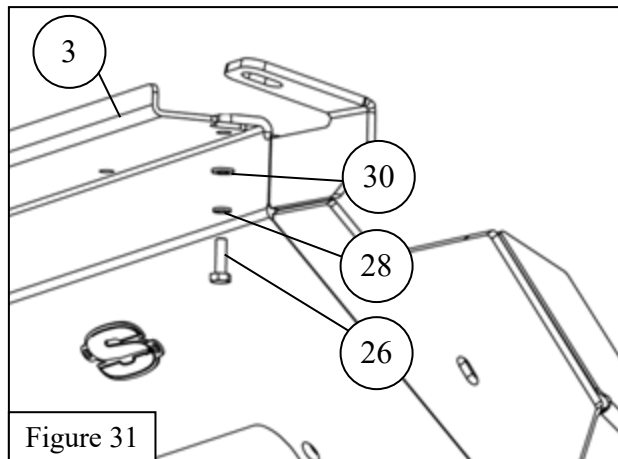
49. Remove the front bumper.
50. Remove the plastic part shown in **Figure 27**.
51. Trim the plastic part as shown in **Figure 28**.
52. Reinstall the plastic part and front bumper.



53. Loosely install the skid plate (**item 2**) to vehicle using the M10 hardware (**items 19-21**). See **Figures 28 and 29**.
54. Loosely install the skid plate to the winch tray using the M8 hardware (**items 32, 33, 35, 36, 37**). See **Figure 30**.



55. If optional cover panel (**item 3**) is installed, use the M6 hardware (**items 26, 28, 30**). See **Figure 31**.
56. Tighten hardware to the following specifications: Tighten M6 hardware to 7-8 ft-lbs, M8 hardware to 15-18 ft-lbs, and M10 to 35 ft-lbs.



57. Route the yellow, red, and black motor cables towards the location shown in **Figure 32**.
58. Route the drum light cable towards the location shown in **Figure 32**.
59. Remove the control box lid.
60. Install the motor cables and 8 foot long power cable onto the contactor according to **Figure 33**. Tighten the M8 hardware to 15-18 ft-lbs.
61. Reinstall the control box lid.
62. Attach the 6 foot long drum light cable to the control box drum light cable.

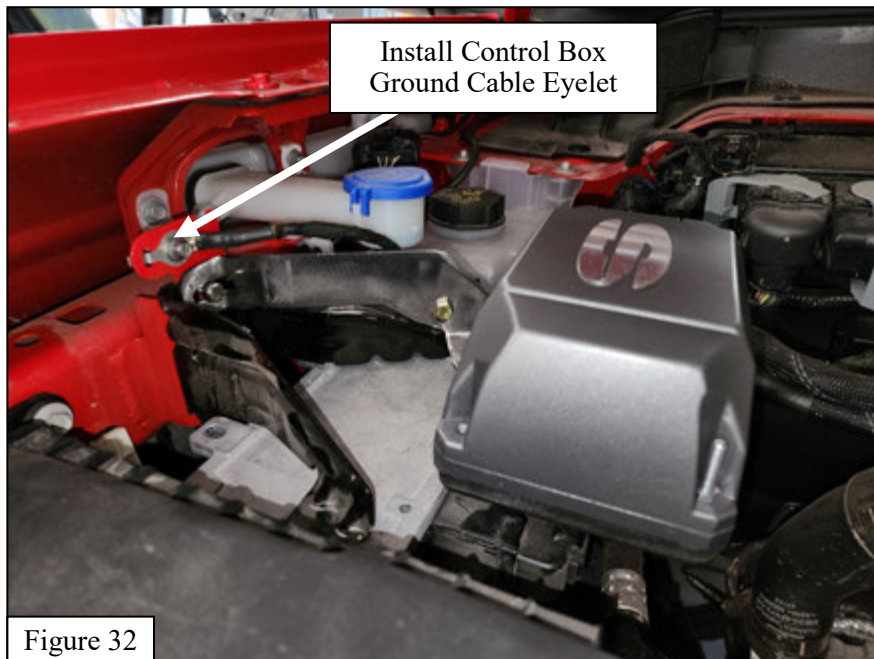


Figure 32

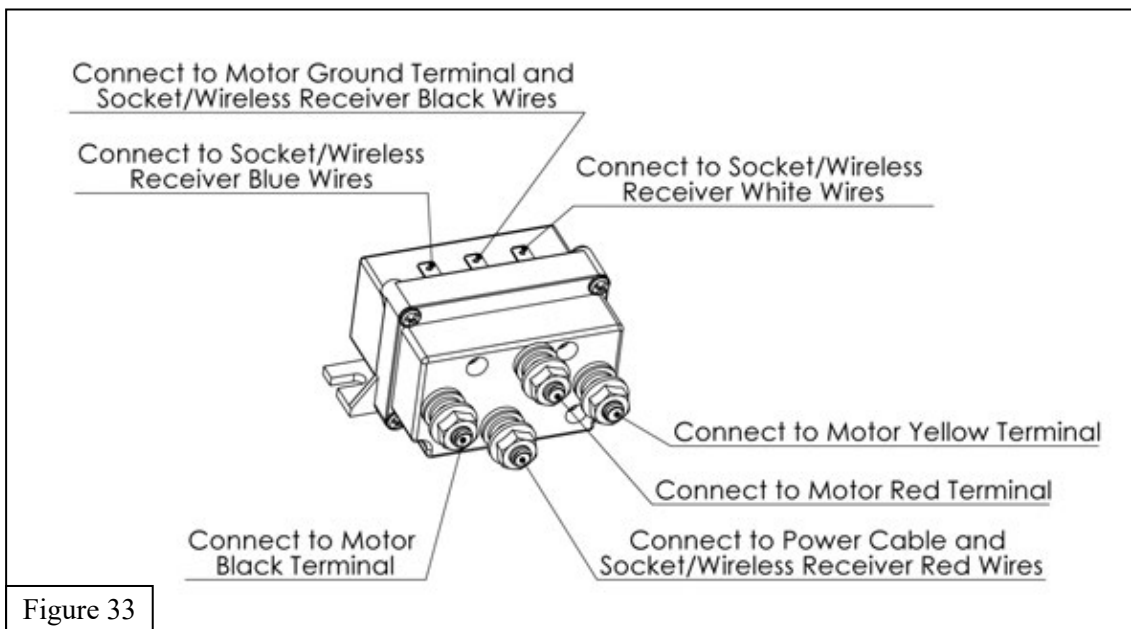


Figure 33

63. Attach the control box to the control box bracket (**item 5**) using the M5 hardware (**items 39 and 40**). See **Figure 34**.
64. Attach the control box bracket to the vehicle using the M6 hardware (**items 26, 28, 30, 31**). Tighten the M6 hardware to 7-8 ft-lbs. See **Figures 32 and 34**.
65. Install the small control box ground cable eyelet to the vehicle. See **Figure 32**.
66. Route the black ground cable and 8 foot long power cable towards the vehicle battery.
67. Connect the black ground cable to the battery ground terminal.
68. Connect the 8 foot long power cable to the battery positive terminal.

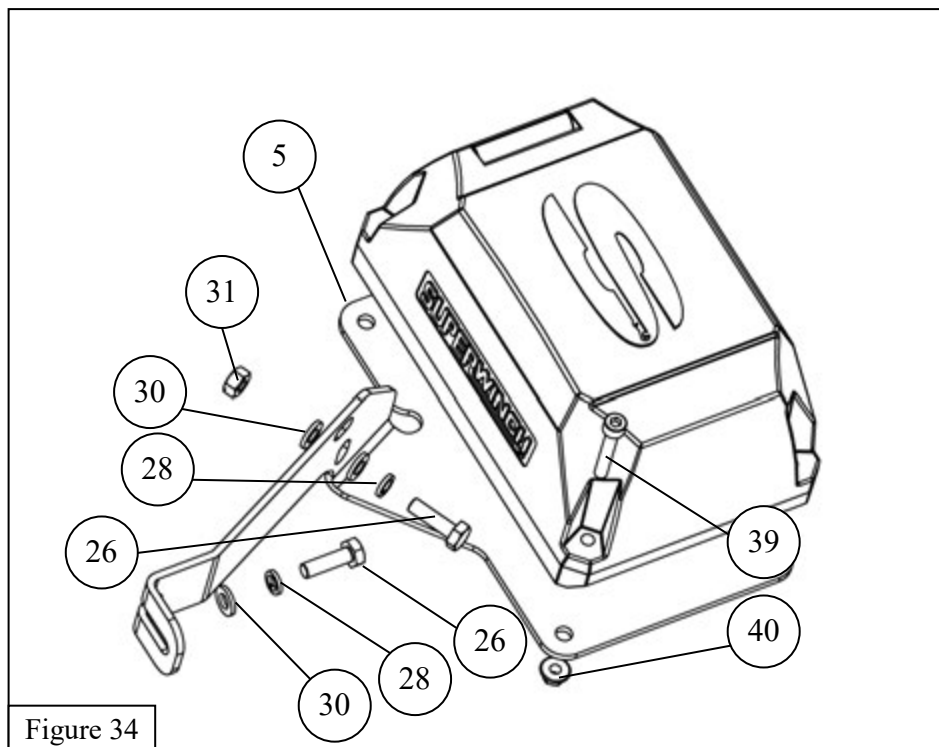


Figure 34



## WARNING



Failure to follow these instructions could lead to death, personal injury, and / or property damage.

Failure to follow these instructions could lead to death, personal injury, and / or property damage.

### FASTENERS:

All Westin supplied fasteners must be utilized and installed in accordance with the installation instructions and apply torque to the specifications as defined. **DOUBLE CHECK ALL FASTENERS BEFORE INITIAL USE, AND PERIODICALLY IN THE FUTURE TO ENSURE PROPER FUNCTION AND SAFETY.**

### DRILLING:

Most Westin products do not require drilling for installation. If drilling is defined as required, use caution when drilling a vehicle. **FAILURE TO REVIEW AN AREA TO BE DRILLED MAY RESULT IN PERSONAL INJURY AND/OR INJURY TO OTHERS AS WELL AS VEHICLE DAMAGE.**

### EYE PROTECTION:

**ALWAYS WEAR SAFETY GLASSES OR GOGGLES DURING THE INSTALLATION PROCESS TO AVOID PERSONAL INJURY.**

### MAXIMUM TOWING/CARRYING CAPACITY: (if applicable)

The Westin Receiver Hitches will have a visible tow rating label affixed directly on the product. User should never exceed the vehicle manufacturers maximum tow and weight rating regardless of the capacity of the hitch. **FAILURE TO FOLLOW THESE GUIDELINES WILL VOID THE WESTIN WARRANTY AND MAY RESULT IN PERSONAL INJURY AND/OR INJURY TO OTHERS AS WELL AS VEHICLE DAMAGE.**

### FOR CALIFORNIA RESIDENTS ONLY-PROP 65 WARNING:

Some products may contain chemicals such as DEHP, which can cause cancer, birth defects or other reproductive harm. For more info go to [www.p65warnings.ca.gov](http://www.p65warnings.ca.gov)



Westin Automotive Products, Inc.  
320 W. Covina Blvd  
San Dimas, Ca. 91773