



AUTOMOTIVE PRODUCTS,

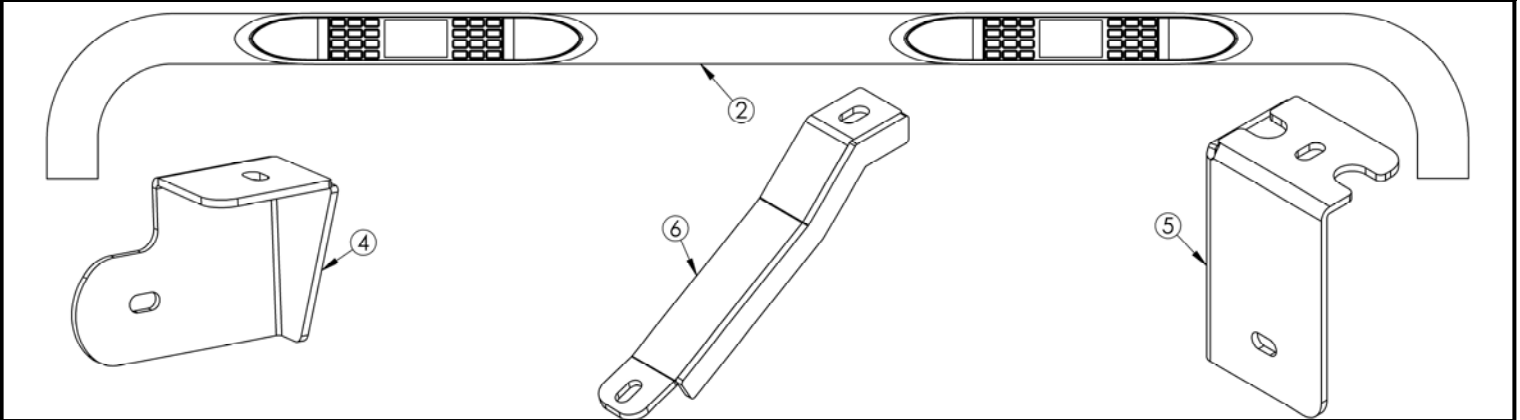
# INSTALLATION INSTRUCTIONS

## E-SERIES STEP BAR / PLATINUM 4" OVAL STEP BAR

**APPLICATION:**  
2016 Nissan Titan XD Crew Cab  
**PART NUMBER:**  
23-4020, 23-4025, 21-4020, 21-4025

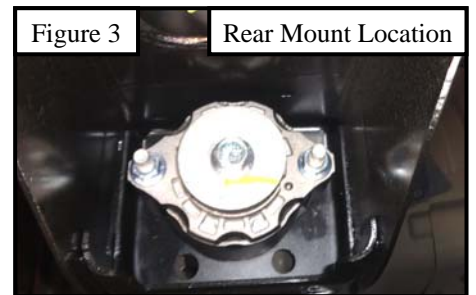
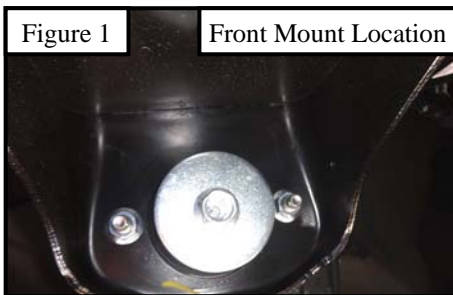
| ITEM | QUANTITY | DESCRIPTION                                     | TOOLS NEEDED  |
|------|----------|---|---------------|
| 1,2  | 2        | STEP BAR ASSEMBLY, DRIVER (1) AND PASSENGER (2) | 3/4" SOCKET   |
| 3,4  | 2        | FRONT MOUNT BRACKET, DRIVER(3) AND PASSENGER(4) | 18MM SOCKET   |
| 5    | 2        | REAR MOUNT BRACKET                              | 3/4" WRENCH   |
| 6    | 2        | CENTER STRAP                                    | 18MM WRENCH   |
| 7    | 2        | M10 BUTTON HEAD BOLT (BLACK ZINC)               | 6MM ALLEN     |
| 8    | 2        | M10 FLAT WASHERS (BLACK ZINC)                   | RATCHET       |
| 9    | 2        | M10 LOCK WASHERS (BLACK ZINC)                   | TORQUE WRENCH |
| 10   | 4        | 1/2-13 X 2" HEX HEAD BOLT (YELLOW ZINC)         |               |
| 11   | 4        | 1/2" FLAT WASHERS (YELLOW ZINC)                 |               |
| 12   | 4        | 1/2" LOCK WASHERS (YELLOW ZINC)                 |               |

**ANTI-SEIZE LUBRICANT MUST BE USED ON ALL STAINLESS STEEL FASTENERS TO PREVENT THREAD DAMAGE AND GALLING**



### PROCEDURE

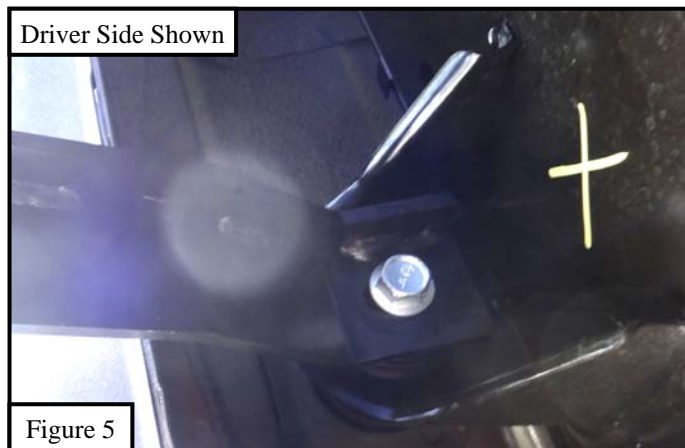
- Remove contents from box, verify if all parts listed are present and free from damage. Carefully read and understand all instructions before attempting installation.  
**Failure to identify damage before installation could lead to a rejection of any claim.**
- Start installation on the either side. On the frame locate the three mounting locations. **See Figures 1, 2, and 3.**



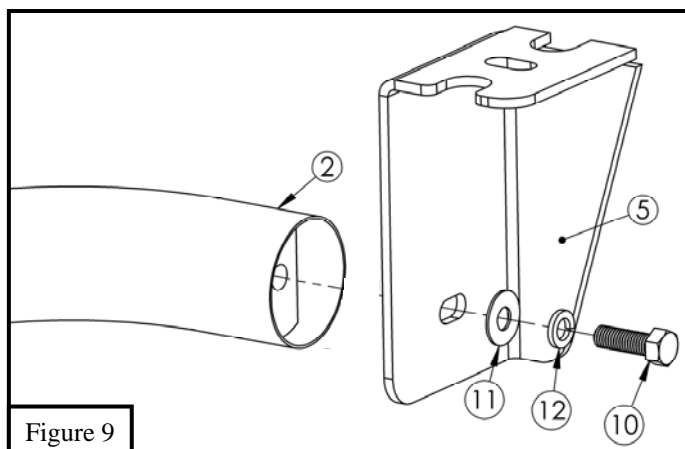
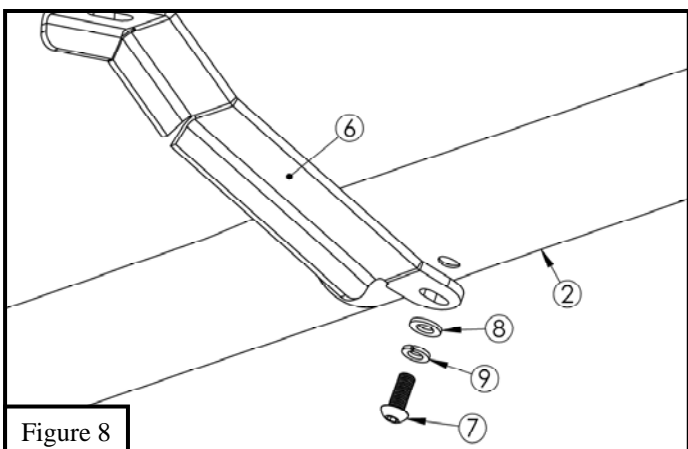
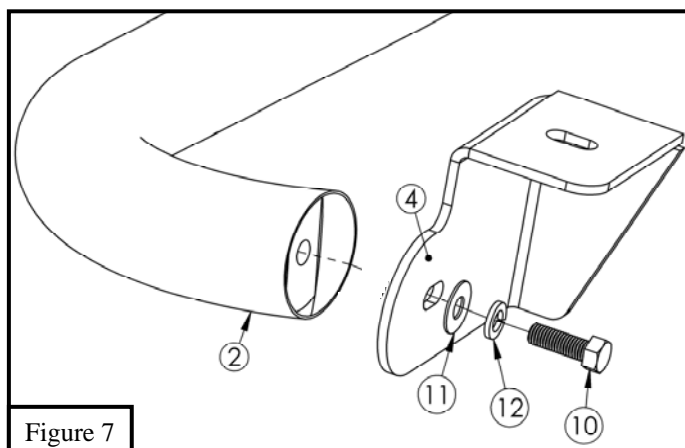
Westin Automotive Products, Inc.  
320 W. Covina Blvd  
San Dimas, Ca. 91773

Thank you for choosing Westin products  
for additional installation assistance please call  
Customer Service (800) 793-7846

3. Locate (1) front mount bracket (Item 3/4) and loosely secure onto the front mount location using the factory hardware present. **See Figure 4.**
4. Locate (1) center strap (Item 6) and loosely secure onto the center mount location using the factory hardware present. **See Figure 5.**



5. Locate (1) rear mount bracket (Item 5) and loosely secure onto the rear mount location using the factory hardware present. **See Figure 6.**
6. Repeat steps 2 - 5 for other side.
7. Loosely attach step bar assembly (Item 1/2) onto the previously installed brackets using the provided hardware (Items 7-13). **See Figures 7, 8, and 9.**



Westin Automotive Products, Inc.  
320 W. Covina Blvd  
San Dimas, Ca. 91773

8. Align and adjust the step bars and brackets as necessary and then torque: M10 hardware to 30 ft-lbs, 1/2" to 40 ft-lbs, and factory hardware to 80 ft-lbs.



#### CARE INSTRUCTIONS

- REGULAR WAXING IS RECOMMENDED. DO NOT USE ANY TYPE OF POLISH OR WAX THAT MAY CONTAIN ABRASIVES.
- STAINLESS STEEL PRODUCTS CAN BE CLEANED WITH MILD SOAP AND WATER. STAINLESS STEEL POLISH SHOULD BE USED TO POLISH SMALL SCRATCHES.
- GLOSS BLACK FINISHES SHOULD BE CLEANED WITH MILD SOAP AND WATER.



Westin Automotive Products, Inc.  
320 W. Covina Blvd  
San Dimas, Ca. 91773

Thank you for choosing Westin products  
for additional installation assistance please call  
Customer Service (800) 793-7846  
[www.westinautomotive.com](http://www.westinautomotive.com)



SIGNATURE OF QUALITY

AUTOMOTIVE PRODUCTS, INC.



## WARNING



Failure to follow these instructions could lead to death, personal injury, and / or property damage.

### FASTENERS:

All Westin supplied fasteners must be utilized and installed in accordance with the installation instructions and apply torque to the specifications as defined. **DOUBLE CHECK ALL FASTENERS BEFORE INITIAL USE, AND PERIODICALLY IN THE FUTURE TO ENSURE PROPER FUNCTION AND SAFETY.**

### DRILLING:

Most Westin products do not require drilling for installation. If drilling is defined as required, use caution when drilling a vehicle. **FAILURE TO REVIEW AN AREA TO BE DRILLED MAY RESULT IN PERSONAL INJURY AND/OR INJURY TO OTHERS AS WELL AS VEHICLE DAMAGE.**

### EYE PROTECTION:

**ALWAYS WEAR SAFETY GLASSES OR GOGGLES DURING THE INSTALLATION PROCESS TO AVOID PERSONAL INJURY.**

### MAXIMUM TOWING/CARRYING CAPACITY:

The Westin Receiver Hitches will have a visible tow rating label affixed directly on the product. User should never exceed the vehicle manufacturers maximum tow and weight rating regardless of the capacity of the hitch. **FAILURE TO FOLLOW THESE GUIDELINES WILL VOID THE WESTIN WARRANTY AND MAY RESULT IN PERSONAL INJURY AND/OR INJURY TO OTHERS AS WELL AS VEHICLE DAMAGE.**



Westin Automotive Products, Inc.  
320 W. Covina Blvd  
San Dimas, Ca. 91773