

INSTALLATION INSTRUCTIONS

OUTLAW DROP RUNNING BOARDS

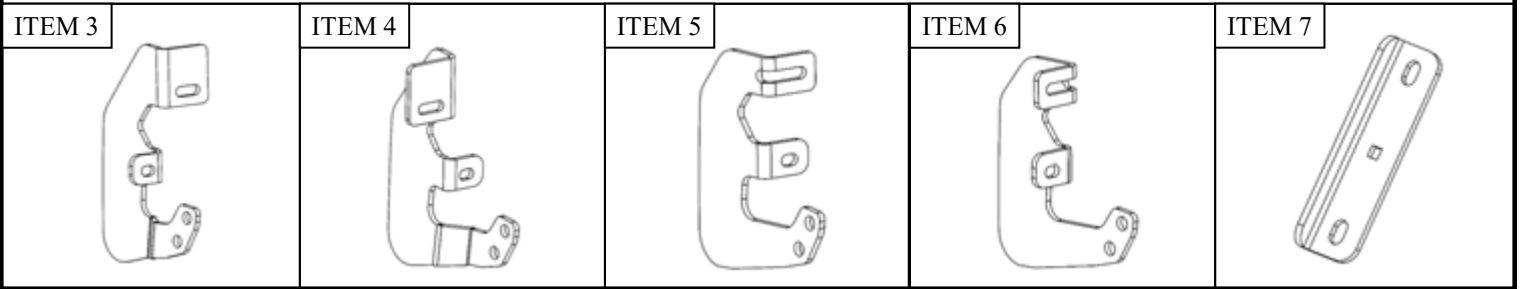
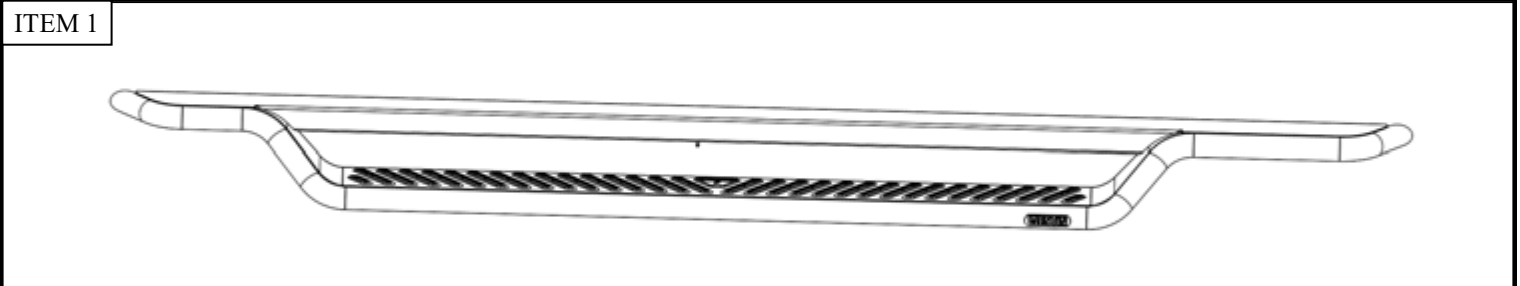


APPLICATION:
Ram 1500 Crew Cab 2019-2025 (Excl. 1500 Classic)

PART NUMBER:
20-44085

CONTENT			
ITEM	QUANTITY	DESCRIPTION	TOOLS NEEDED
1	1	DRIVER STEP BAR	13MM SOCKET
2	1	PASSENGER STEP BAR	13MM WRENCH
3	3	DRIVER FRONT / REAR, PASSENGER REAR MOUNTING BRACKET	15MM SOCKET
4	1	PASSENGER FRONT MOUNTING BRACKET	15MM WRENCH
5	1	DRIVER CENTER MOUNTING BRACKET	RATCHET
6	1	PASSENGER CENTER MOUNTING BRACKET	TORQUE WRENCH
7	6	MOUNTING BRACKET BASE	
8	24	M8 HEX NUT	
9	24	M8 FLAT WASHER	
10	24	M8 SPLIT LOCK WASHER	
11	6	M8 ROUND HEAD SQUARE NECK BOLT	
12	12	M10 SERRATED FLANGE HEX HEAD BOLT	
13	12	M10 SERRATED FLANGE NUT	
14	18	M8 PLASTIC RETAINER	

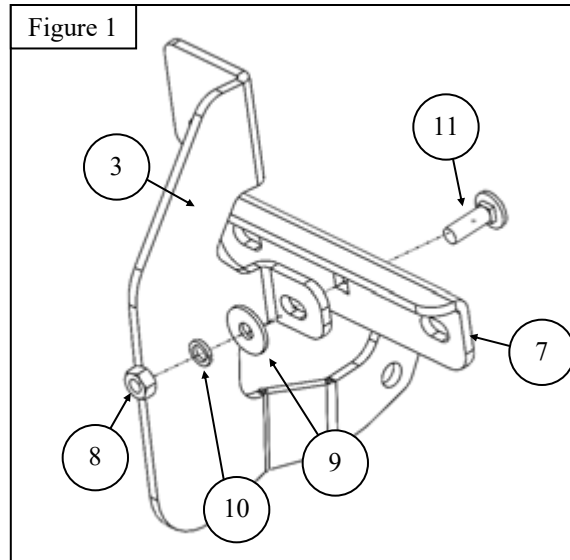
ANTI-SEIZE LUBRICANT MUST BE USED ON ALL STAINLESS STEEL FASTENERS TO PREVENT THREAD DAMAGE AND GALLING



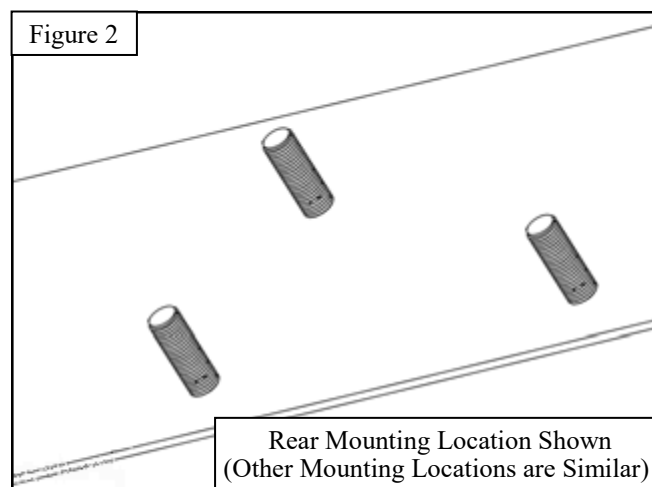
PROCEDURE

1. Remove contents from box, verify if all parts listed are present and free from damage.
Carefully read and understand all instructions before attempting installation.
Failure to identify damage before installation could lead to a rejection of any claim.

2. Preassemble the Mounting Brackets (Items 3-7) loosely. Do not tighten hardware at this time. See **Figure 1** for reference.



3. Starting on the passenger side of the vehicle, locate the three mounting locations on the rocker panel.
*Note A: The rear mounting location is shown in **Figure 2**. Other mounting locations are similar.*
Note B: The two lower studs may have excessive amounts of paint from the factory. To avoid damage to studs, it is strongly recommended that the paint is removed using an M8-1.25 die or a wire wheel. If you feel any resistance while threading the nuts on these studs, stop and clean the stud again to avoid cross threading. Anti-seize compound may also be used to avoid any damage to the studs and to the M8 hardware.



4. At the rear passenger side mounting location, loosely install Mounting Bracket Base (Item 7) with preassembled Passenger Rear Mounting Bracket (Item 3) using the supplied M8 hardware. See **Figures 3 & 4** for reference.

Figure 3

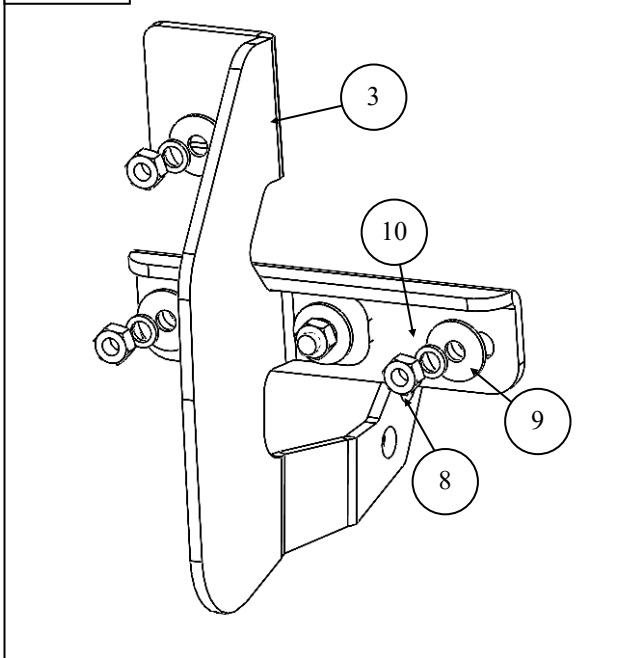


Figure 4



5. At the center passenger side mounting location, loosely install Mounting Bracket Base (3) with preassembled Passenger Center Mounting Bracket (Item 6) using the supplied M8 hardware. See **Figures 5 & 6** for reference.

Figure 5

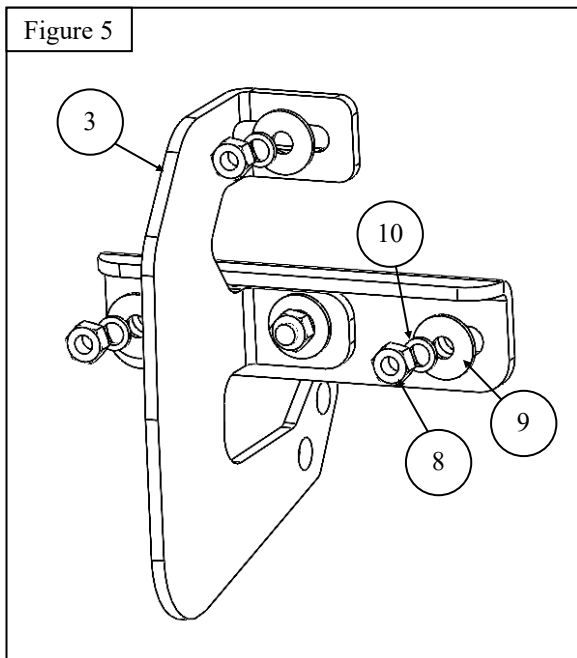
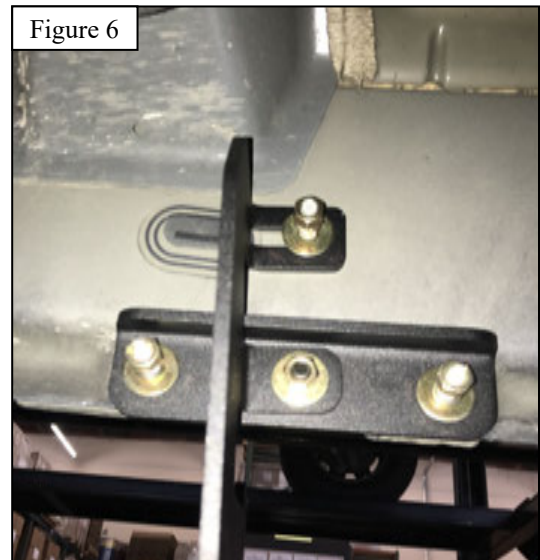
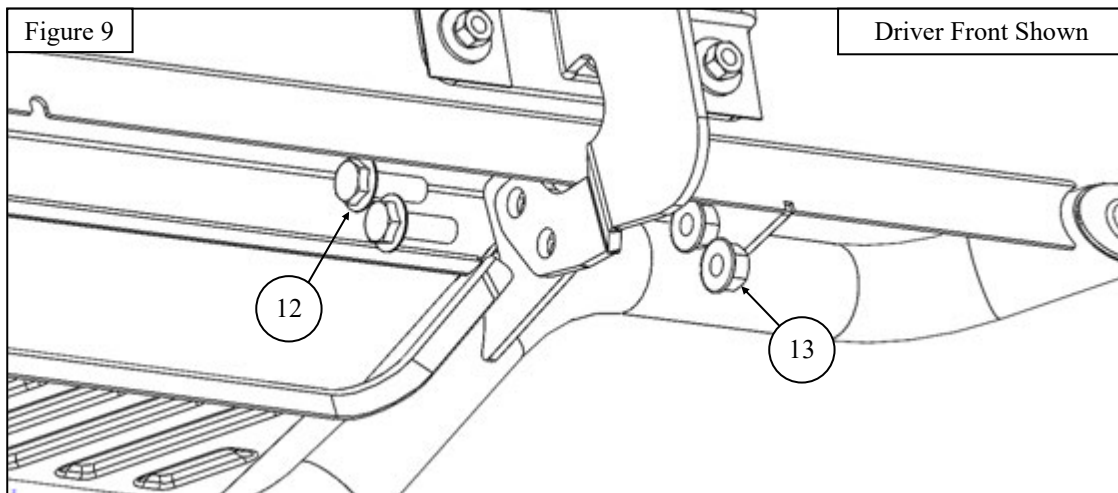
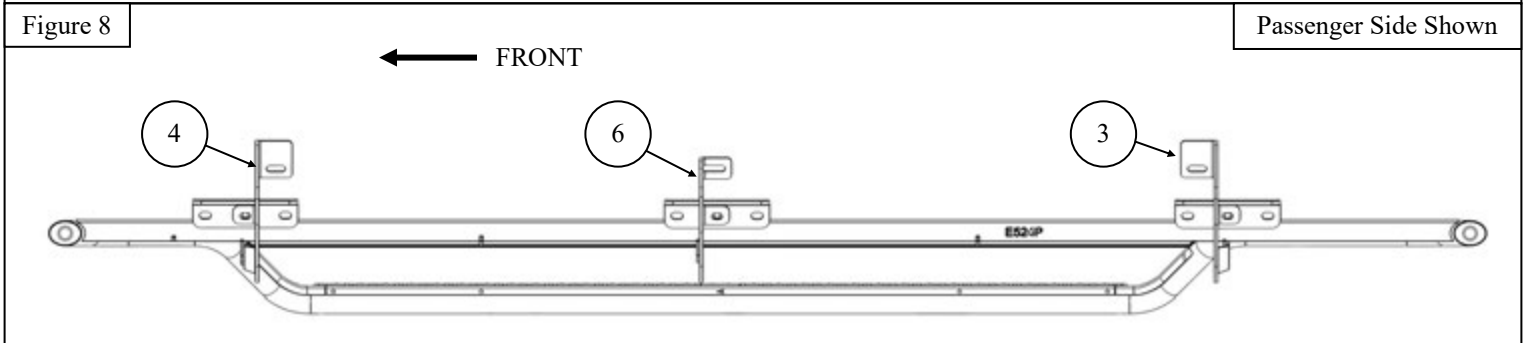
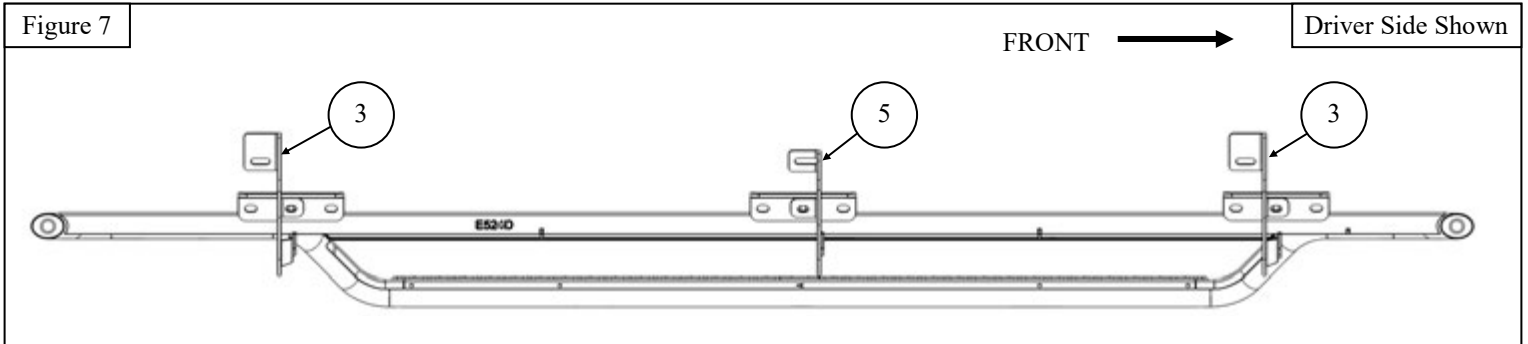


Figure 6



6. At the front passenger mounting location, loosely install the Mounting Bracket Base (Item 7) with preassembled Passenger Front Mounting Bracket (Item 4).
7. Repeat **Steps 4 through 7** on the driver side of the vehicle with the appropriate brackets. See **Figures 7 & 8** for reference.
8. Fasten the Outlaw Running Board (Items 1 & 2) respectively to either side using the M10 hardware provided. See **Figure 9** for reference.
9. Align and adjust the Outlaw Running Board as needed and fully tighten all hardware. Torque all M8 hardware to 15-18 ft-lbs. and all M10 hardware to 35-38 ft-lbs.



INSTALLATION COMPLETE



CARE INSTRUCTIONS

- REGULAR WAXING IS RECOMMENDED. DO NOT USE ANY TYPE OF POLISH OR WAX THAT MAY CONTAIN ABRASIVES.
- STAINLESS STEEL PRODUCTS CAN BE CLEANED WITH MILD SOAP AND WATER. STAINLESS STEEL POLISH SHOULD BE USED TO POLISH SMALL SCRATCHES.
- GLOSS BLACK FINISHES SHOULD BE CLEANED WITH MILD SOAP AND WATER.

WESTIN Westin Automotive Products, Inc.
320 W. Covina Blvd
San Dimas, Ca. 91773

Thank you for choosing Westin products
for additional installation assistance please call
Customer Service (800) 793-7846
www.westinautomotive.com



WARNING



Failure to follow these instructions could lead to death, personal injury, and / or property damage.

Failure to follow these instructions could lead to death, personal injury, and / or property damage.

FASTENERS:

All Westin supplied fasteners must be utilized and installed in accordance with the installation instructions and apply torque to the specifications as defined. **DOUBLE CHECK ALL FASTENERS BEFORE INITIAL USE, AND PERIODICALLY IN THE FUTURE TO ENSURE PROPER FUNCTION AND SAFETY.**

DRILLING:

Most Westin products do not require drilling for installation. If drilling is defined as required, use caution when drilling a vehicle. **FAILURE TO REVIEW AN AREA TO BE DRILLED MAY RESULT IN PERSONAL INJURY AND/OR INJURY TO OTHERS AS WELL AS VEHICLE DAMAGE.**

EYE PROTECTION:

ALWAYS WEAR SAFETY GLASSES OR GOGGLES DURING THE INSTALLATION PROCESS TO AVOID PERSONAL INJURY.

MAXIMUM TOWING/CARRYING CAPACITY: (if applicable)

The Westin Receiver Hitches will have a visible tow rating label affixed directly on the product. User should never exceed the vehicle manufacturers maximum tow and weight rating regardless of the capacity of the hitch. **FAILURE TO FOLLOW THESE GUIDELINES WILL VOID THE WESTIN WARRANTY AND MAY RESULT IN PERSONAL INJURY AND/OR INJURY TO OTHERS AS WELL AS VEHICLE DAMAGE.**

FOR CALIFORNIA RESIDENTS ONLY-PROP 65 WARNING:

Some products may contain chemicals such as DEHP, which can cause cancer, birth defects or other reproductive harm. For more info go to www.p65warnings.ca.gov



Westin Automotive Products, Inc.
320 W. Covina Blvd
San Dimas, Ca. 91773