

# INSTALLATION INSTRUCTIONS

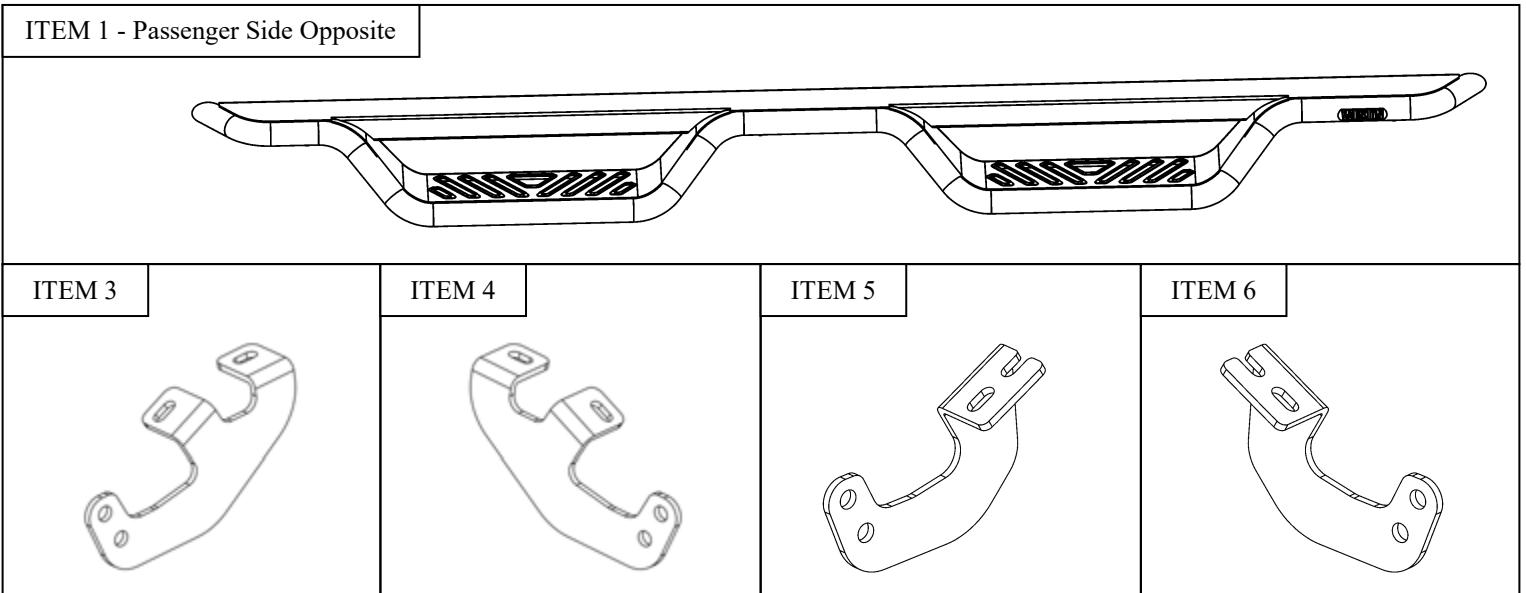
## OUTLAW NERF DROP STEPS



**APPLICATION:**  
Toyota Tacoma Double Cab 2005-2023  
**PART NUMBER:**  
20-12775

| CONTENT |          |  |               |
|---------|----------|--|---------------|
| ITEM    | QUANTITY | DESCRIPTION                                  | TOOLS NEEDED  |
| 1       | 1        | DRIVER OUTLAW STEP BAR                       | 13MM SOCKET   |
| 2       | 1        | PASSENGER OUTLAW STEP BAR                    | 13MM WRENCH   |
| 3       | 1        | FRONT DRIVER SIDE MOUNTING BRACKET           | 15MM SOCKET   |
| 4       | 1        | FRONT PASSENGER SIDE MOUNTING BRACKET        | 15MM WRENCH   |
| 5       | 2        | CENTER/REAR DRIVER SIDE MOUNTING BRACKETS    | RATCHET       |
| 6       | 2        | CENTER/REAR PASSENGER SIDE MOUNTING BRACKETS | TORQUE WRENCH |
| 7       | 12       | M8 HEX HEAD BOLT                             |               |
| 8       | 12       | M8 SPLIT LOCK WASHER                         |               |
| 9       | 12       | M8 FLAT WASHER                               |               |
| 10      | 12       | M10 SERRATED FLANGE HEX HEAD BOLT            |               |
| 11      | 12       | M10 SERRATED FLANGE HEX NUT                  |               |

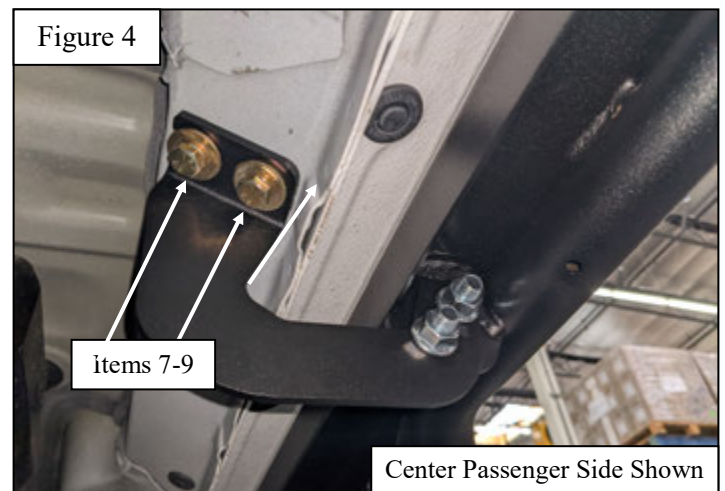
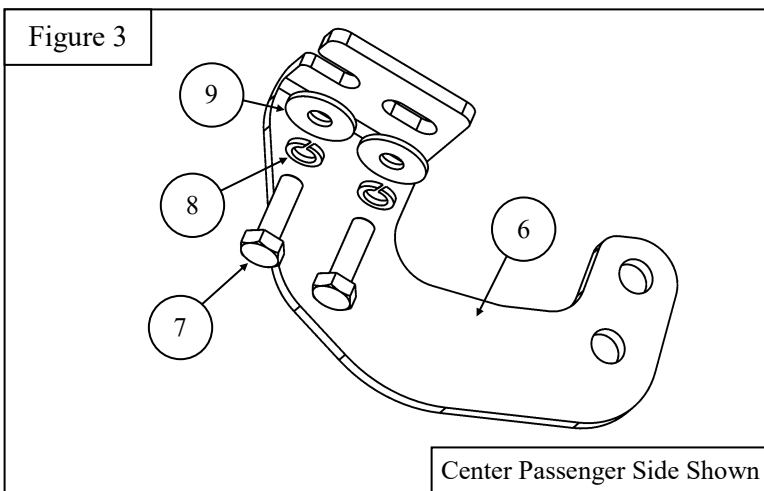
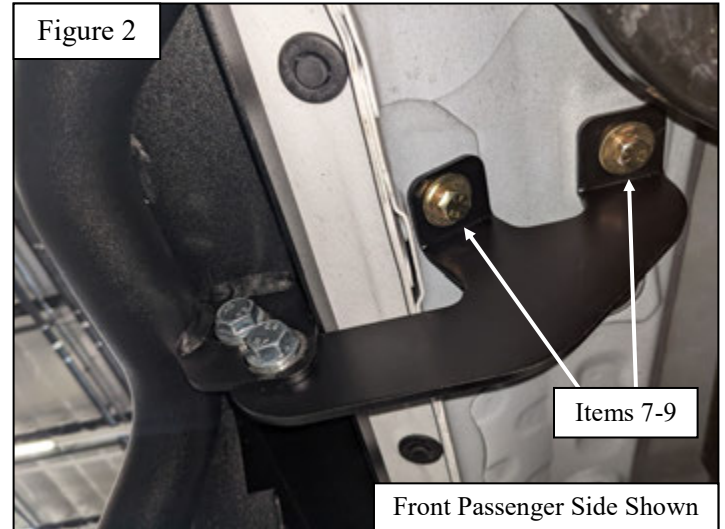
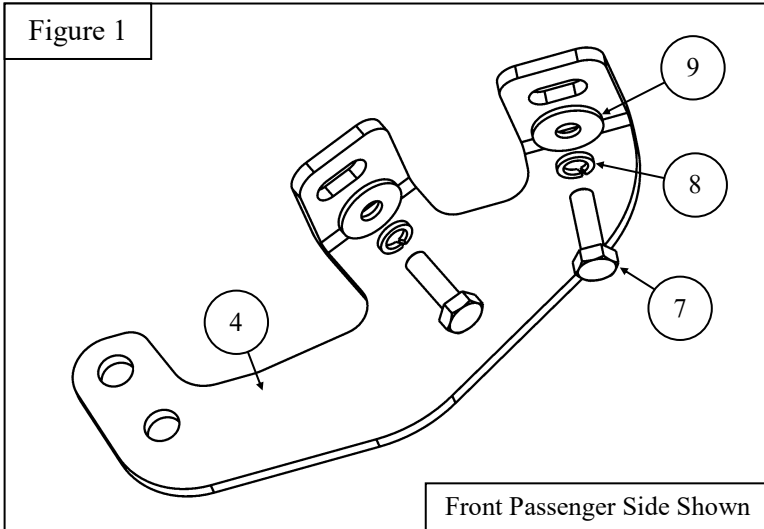
**ANTI-SEIZE LUBRICANT MUST BE USED ON ALL STAINLESS STEEL FASTENERS TO PREVENT THREAD DAMAGE AND GALLING**



### PROCEDURE

1. Remove contents from box, verify if all parts listed are present and free from damage. Carefully read and understand all instructions before attempting installation. **Failure to identify damage before installation could lead to a rejection of any claim.**

2. Starting on the passenger side of the vehicle, locate the mounting locations with the factory threaded holes. They will either have screws or caps installed from the factory. **Note:** *Factory screws will not be used again.*
3. Locate (1) Front Passenger Side Mounting Bracket (**item 4**) and loosely secure it to the front mounting location on the rocker panel using (2) M8 hex head bolts, (2) M8 split lock washers, and (2) M8 flat washers (**items 7-9**). See **Figures 1 and 2**.
4. Locate (2) Passenger Side Center/Rear Mounting Brackets (**item 6**) and loosely secure them to the corresponding mounting locations on the rocker panel using the provided M8 hardware (**items 7-9**). See **Figures 3 and 4**.
5. Repeat **Steps 2-4** for the driver's side mounting locations. **Note:** *See Figures 6 and 7 for the correct bracket orientation.*



6. Install the Outlaw Step Bars (**items 1 and 2**) using the supplied M10 hardware (**items 10 and 11**). See **Figure 5**.
7. Align and adjust the steps bars as needed. Tighten and torque all hardware as specified: M8 hardware to 15-18 ft-lbs, M10 hardware to 35-38 ft-lbs.

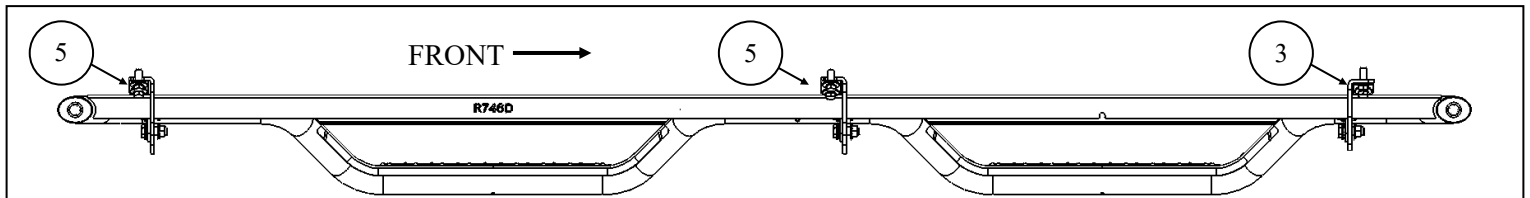
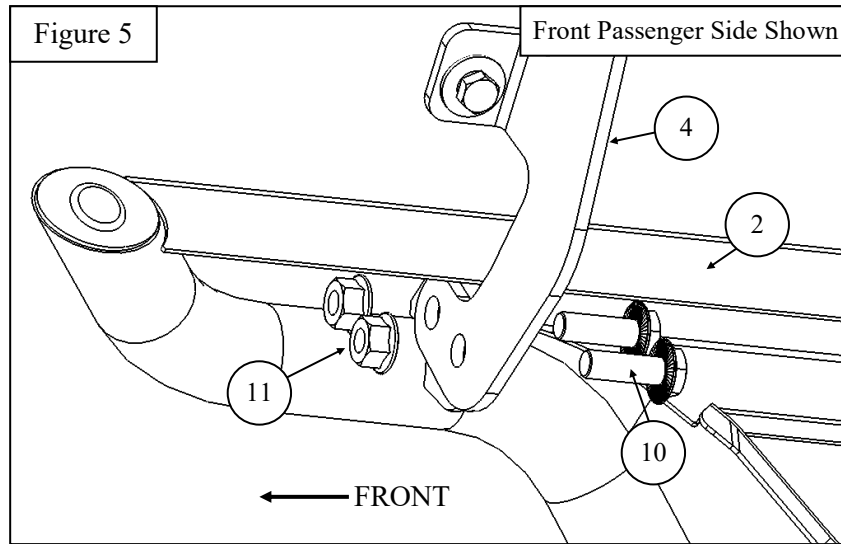


Figure 6

Driver Side Shown

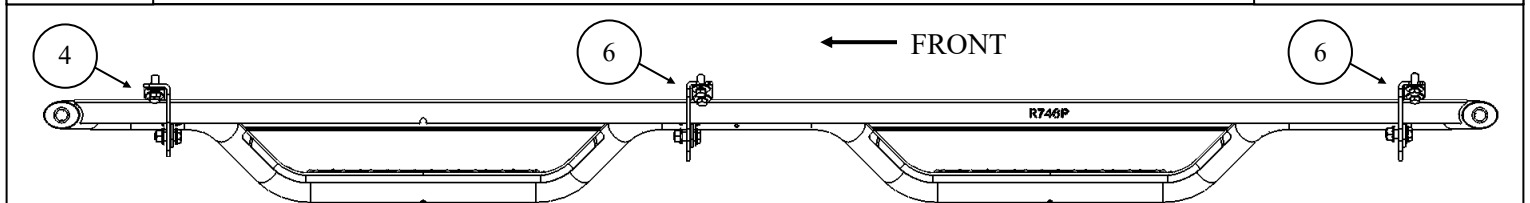


Figure 7

Passenger Side Shown

**INSTALLATION COMPLETE**



**CARE INSTRUCTIONS**

- TEXTURE BLACK FINISHES SHOULD BE CLEANED WITH MILD SOAP AND WATER ONLY ( DO NOT WAX ).
- GLOSS BLACK FINISHES SHOULD BE CLEAN WITH MILD SOAP AND WATER.
- POLISHED STAINLESS PRODUCTS SHOULD BE CLEANED WITH MILD SOAP AND WATER. STAINLESS STEEL POLISH MAY BE USED TO REMOVE SMALL SCRATCHES.
- REGULAR WAXING IS RECOMMENDED FOR GLOSS BLACK AND STAINLESS STEEL PRODUCTS. DO NOT USE WAX THAT MAY CONTAIN ABRASIVES.

**WESTIN** Westin Automotive Products, Inc.  
320 W. Covina Blvd  
San Dimas, Ca. 91773

Thank you for choosing Westin products  
for additional installation assistance please call  
Customer Service (800) 793-7846  
[www.westinautomotive.com](http://www.westinautomotive.com)



## WARNING



Failure to follow these instructions could lead to death, personal injury, and / or property damage.

Failure to follow these instructions could lead to death, personal injury, and / or property damage.

### FASTENERS:

All Westin supplied fasteners must be utilized and installed in accordance with the installation instructions and apply torque to the specifications as defined. **DOUBLE CHECK ALL FASTENERS BEFORE INITIAL USE, AND PERIODICALLY IN THE FUTURE TO ENSURE PROPER FUNCTION AND SAFETY.**

### DRILLING:

Most Westin products do not require drilling for installation. If drilling is defined as required, use caution when drilling a vehicle. **FAILURE TO REVIEW AN AREA TO BE DRILLED MAY RESULT IN PERSONAL INJURY AND/OR INJURY TO OTHERS AS WELL AS VEHICLE DAMAGE.**

### EYE PROTECTION:

**ALWAYS WEAR SAFETY GLASSES OR GOGGLES DURING THE INSTALLATION PROCESS TO AVOID PERSONAL INJURY.**

### MAXIMUM TOWING/CARRYING CAPACITY: (if applicable)

The Westin Receiver Hitches will have a visible tow rating label affixed directly on the product. User should never exceed the vehicle manufacturers maximum tow and weight rating regardless of the capacity of the hitch. **FAILURE TO FOLLOW THESE GUIDELINES WILL VOID THE WESTIN WARRANTY AND MAY RESULT IN PERSONAL INJURY AND/OR INJURY TO OTHERS AS WELL AS VEHICLE DAMAGE.**

### FOR CALIFORNIA RESIDENTS ONLY-PROP 65 WARNING:

Some products may contain chemicals such as DEHP, which can cause cancer, birth defects or other reproductive harm. For more info go to [www.p65warnings.ca.gov](http://www.p65warnings.ca.gov)



Westin Automotive Products, Inc.  
320 W. Covina Blvd  
San Dimas, Ca. 91773