

INSTALLATION INSTRUCTIONS

MANUAL TONNEAU COVER



APPLICATION: 2019-2026 RAM 1500 (DT) 5'7" BED

PART NUMBER: 19-64705

CONTENT			
ITEM	QUANTITY	DESCRIPTION	TOOLS NEEDED
1	1	TONNEAU COVER CANISTER ASSEMBLY	PHILLIPS SCREWDRIVER
2	1	CANISTER COVER PLATE	FLAT SCREWDRIVER
3	1	DRIVER SIDE RAIL	RATCHET
4	1	PASSENGER SIDE RAIL	10MM SOCKET
5	1	ALIGNMENT BAR	10MM WRENCH
6	6	DOUBLE NUT SUPPORT BRACKET	13MM SOCKET
7	2	FRONT MOUNTING BRACKET	13MM WRENCH
8	2	CENTER MOUNTING BRACKET	SCISSORS
9	1	DRIVER REAR MOUNTING BRACKET	
10	1	PASSENGER REAR MOUNTING BRACKET	
11	2	FRONT DRAIN TUBE	
12	2	REAR DRAIN TUBE	
13	2	FRONT DRAIN TUBE ADAPTER	
14	2	RUBBER RING	
15	2	FRONT TUBE CLAMP	
16	2	REAR TUBE CLAMP	
17	3	BED RAIL TOP FOAM SEAL	
18	1	BED FRONT GAP FOAM SEAL	
19	1	ADHESION PROMOTER	
20	1	M6 INSERT TOOL	
21	12	M6 INSERT	
22	6	M6 T-CHANNEL NUT	
23	16	M6 SHORT COMBO TORX BOLT	
24	24	M6 LONG COMBO TORX BOLT	
25	6	M5 COUNTERSUNK SCREW	
26	6	PLASTIC CAP	
27	6	PLASTIC RING	

ANTI-SEIZE LUBRICANT MUST BE USED ON ALL STAINLESS STEEL FASTENERS TO PREVENT THREAD DAMAGE AND GALLING



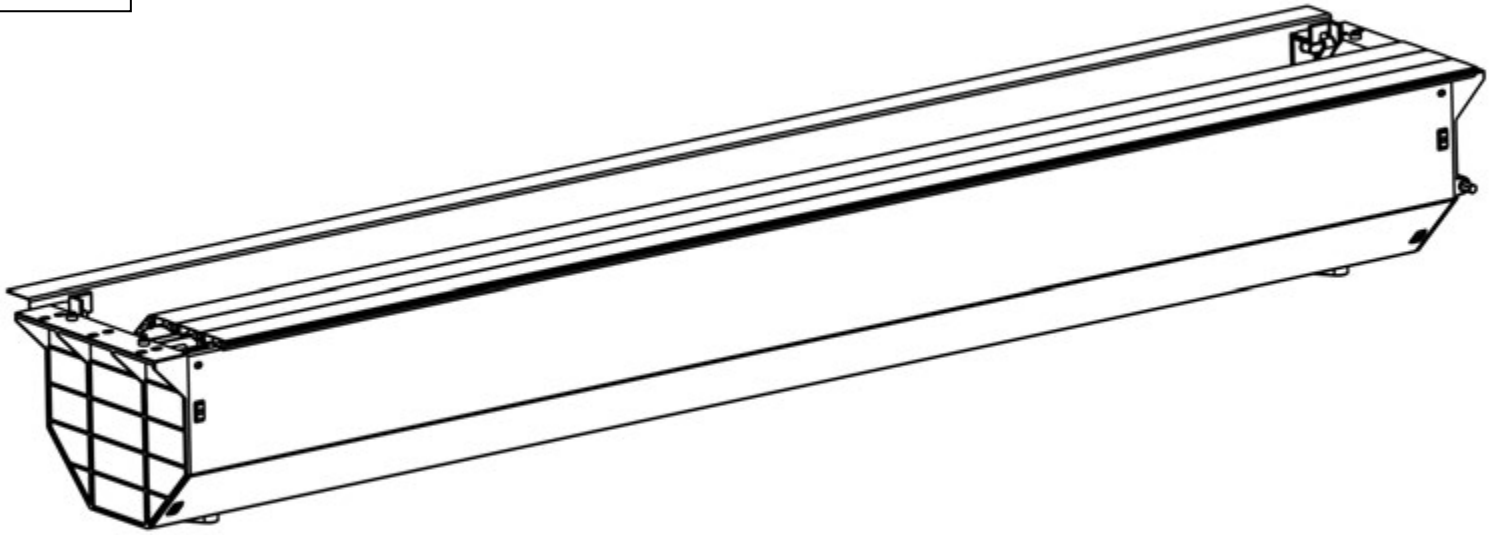
Westin Automotive Products, Inc.
320 W. Covina Blvd
San Dimas, Ca. 91773

Thank you for choosing Westin products
for additional installation assistance please call
Customer Service (800) 793-7846

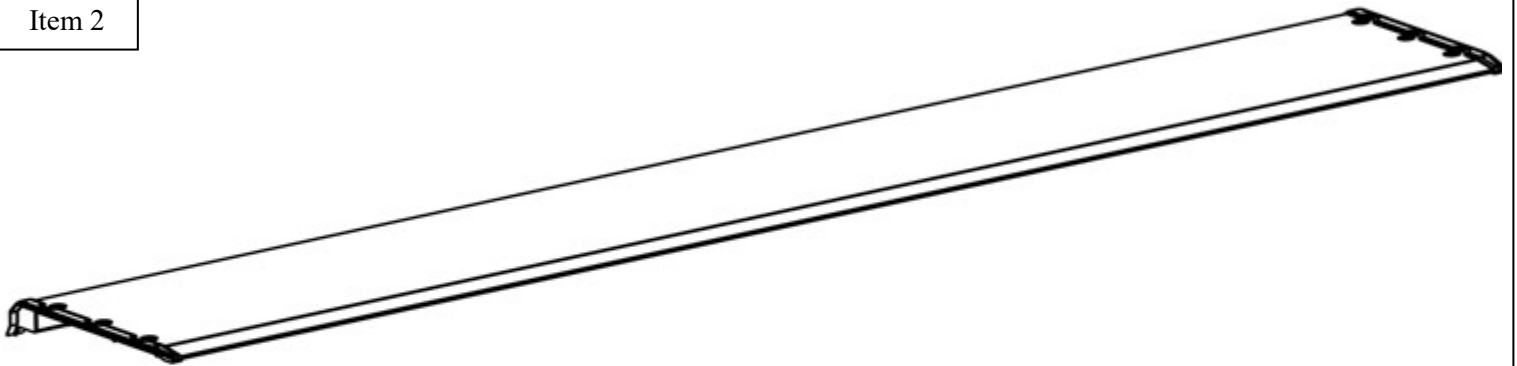
www.westinautomotive.com

DATE: 01/05/2026

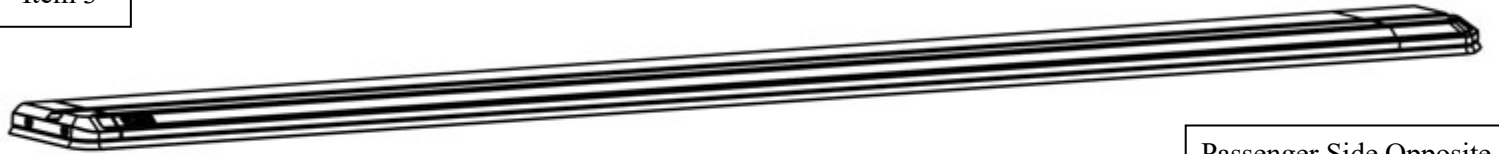
Item 1



Item 2



Item 3

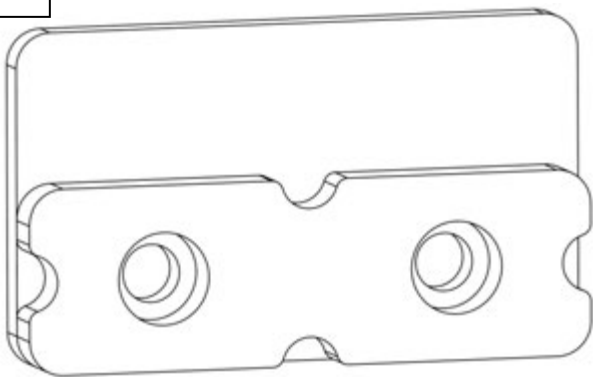


Passenger Side Opposite

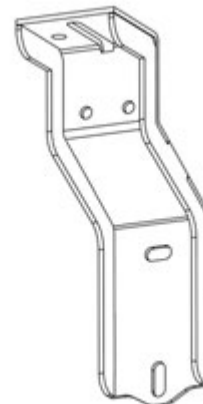
Item 5



Item 6



Item 7



Item 8

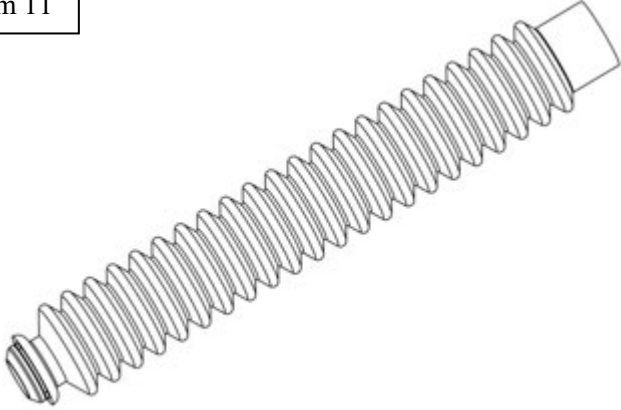


Item 9

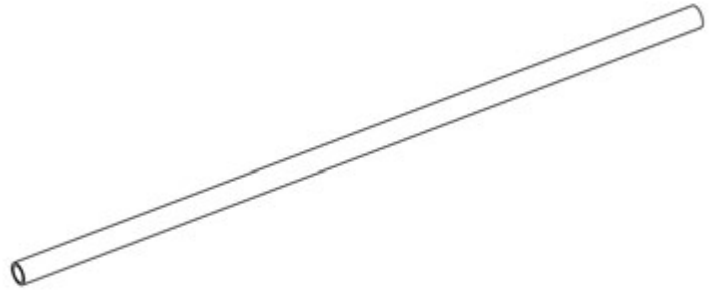


Passenger Side Opposite

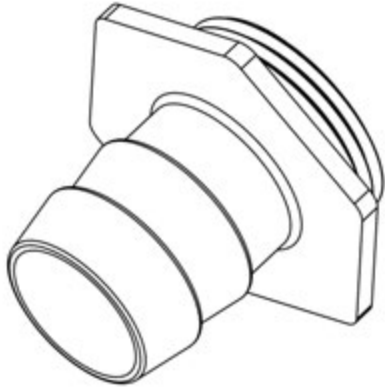
Item 11



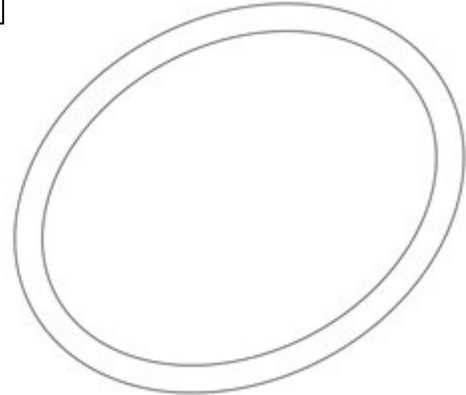
Item 12



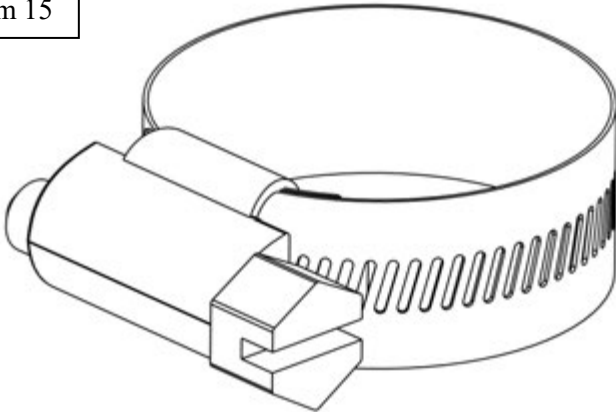
Item 13



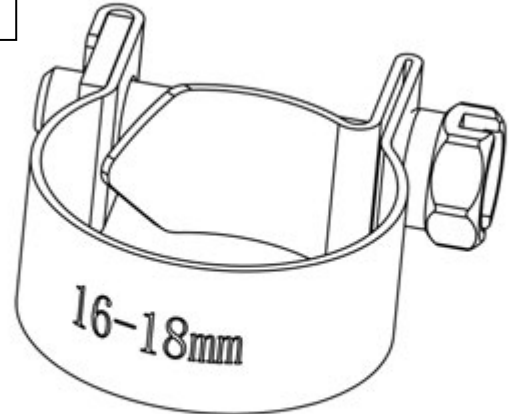
Item 14



Item 15



Item 16



Item 17



Soft Foam Seal

Item 18

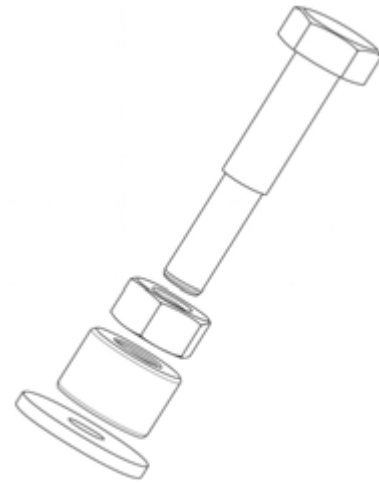


Hard Foam Seal

Item 19



Item 20



PROCEDURE

1. Remove contents from box, verify that all parts listed are present and free from damage. Carefully read and understand all instructions before attempting installation.
Failure to identify damage before installation could lead to a rejection of any claim.

WESTIN

Westin Automotive Products, Inc.
320 W. Covina Blvd
San Dimas, Ca. 91773

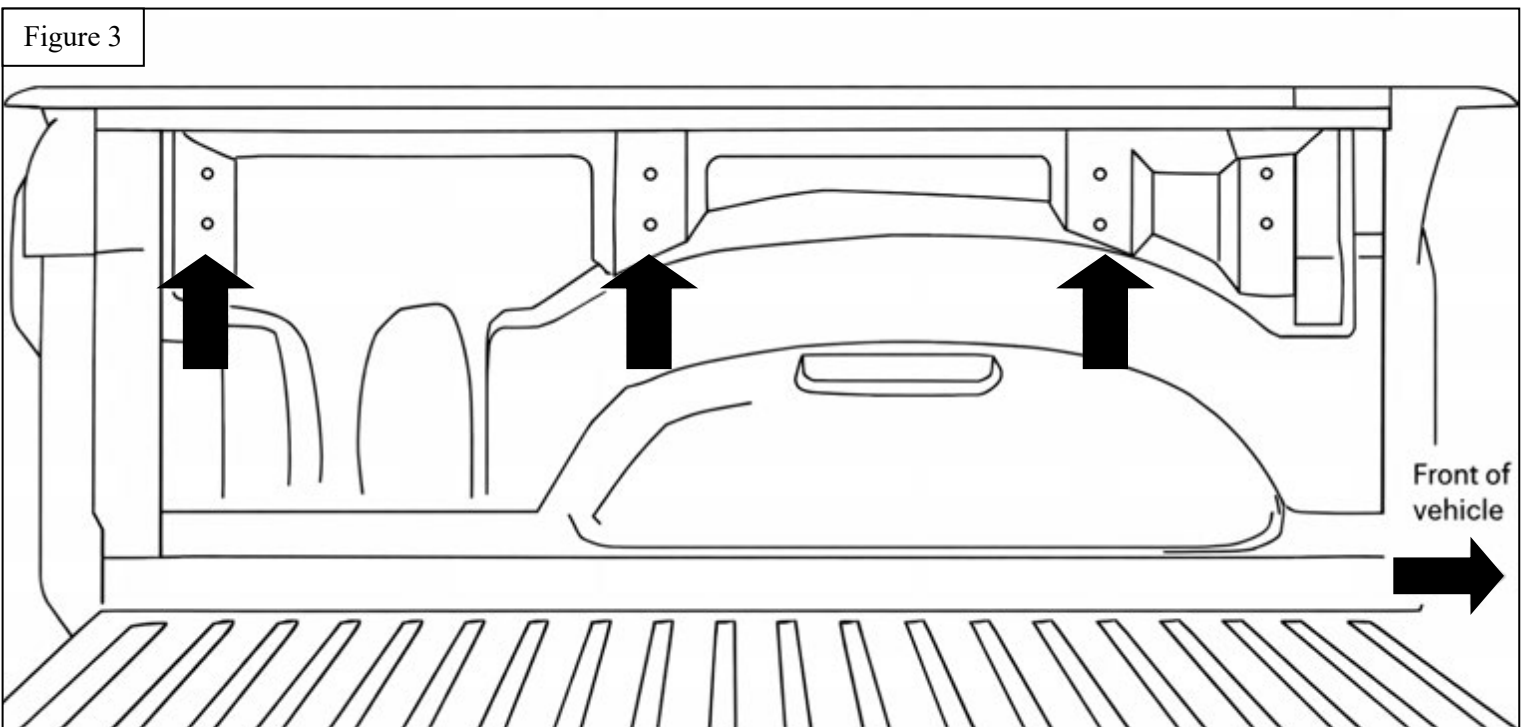
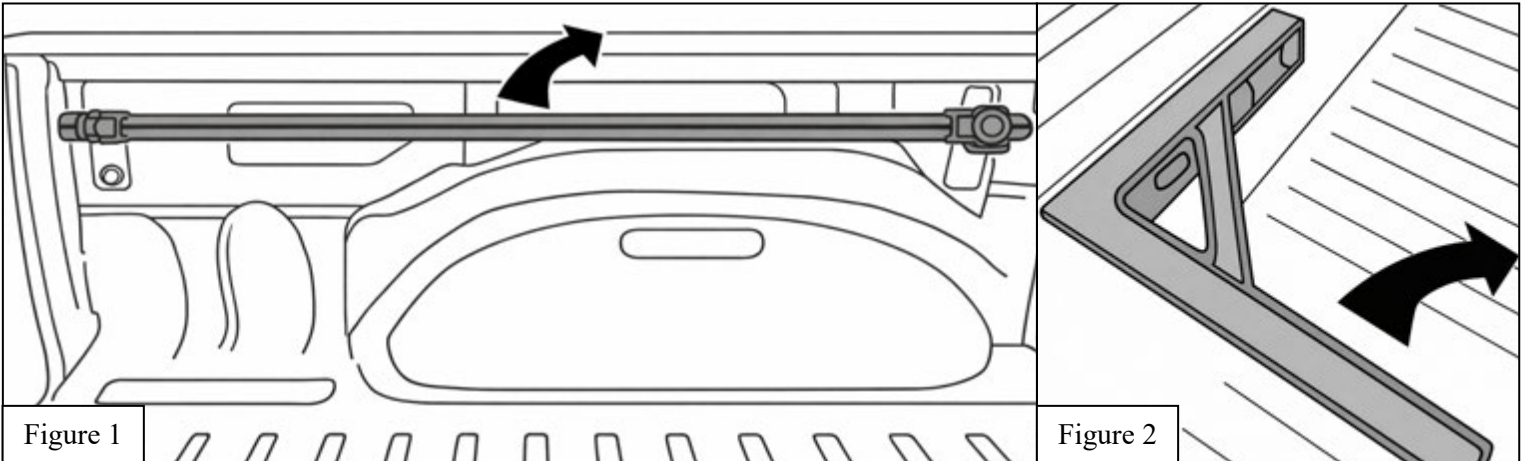
Thank you for choosing Westin products
for additional installation assistance please call
Customer Service (800) 793-7846

www.westinautomotive.com

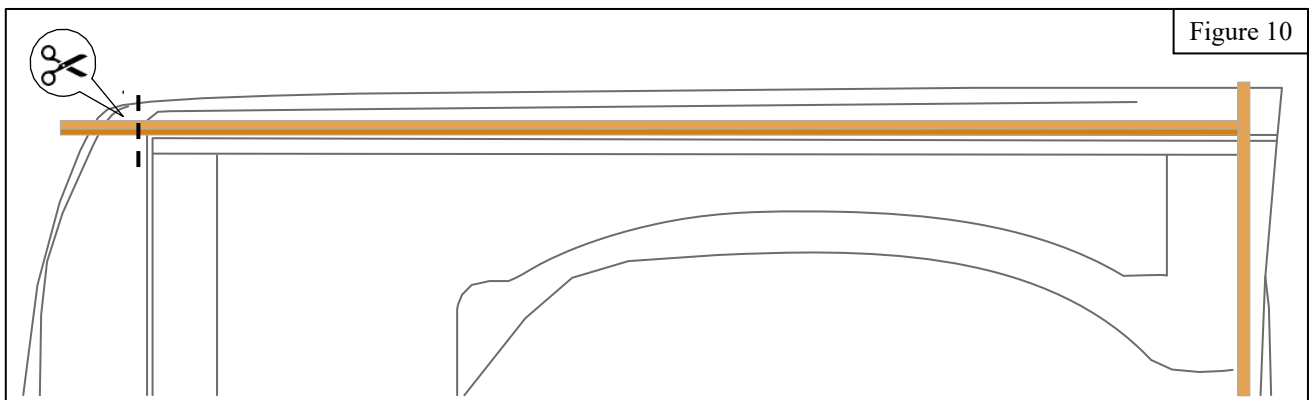
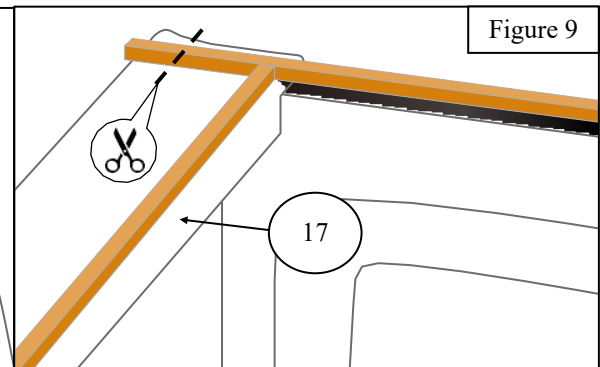
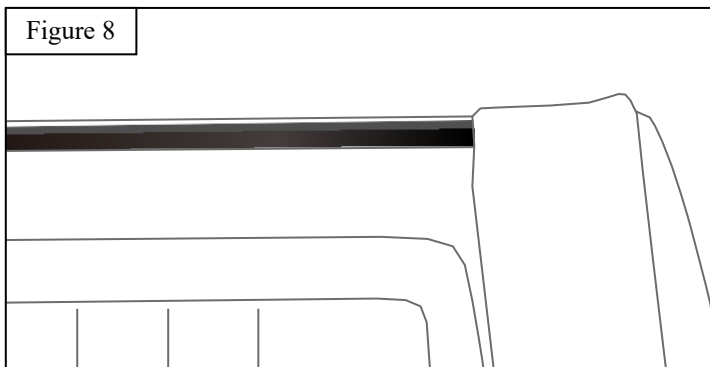
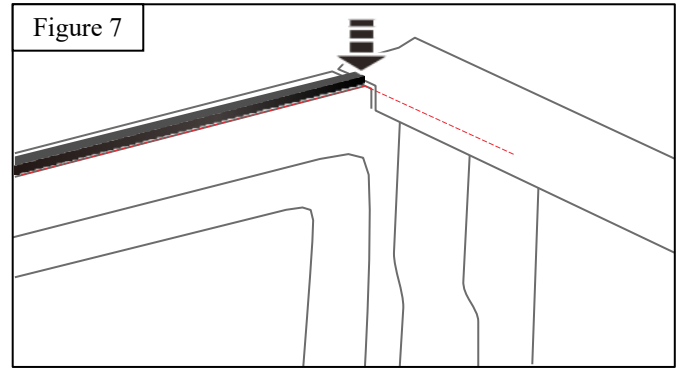
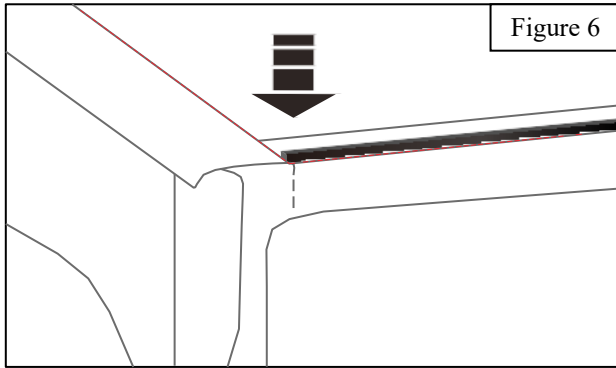
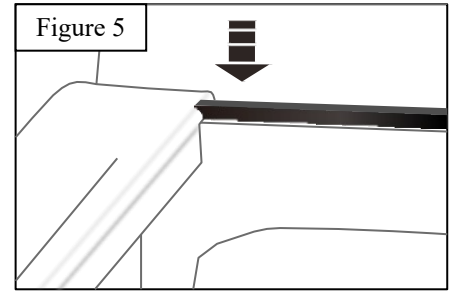
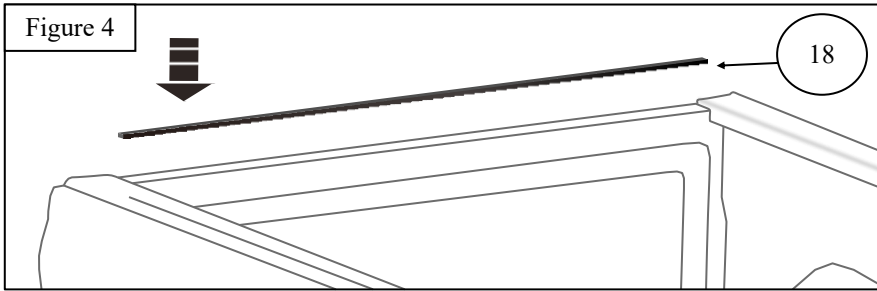
DATE: 01/05/2026

**BEFORE STARTING THE INSTALLATION OF THE PRODUCT
PREPARATION OF THE BED MAY BE REQUIRED PRIOR TO DOING SO.**

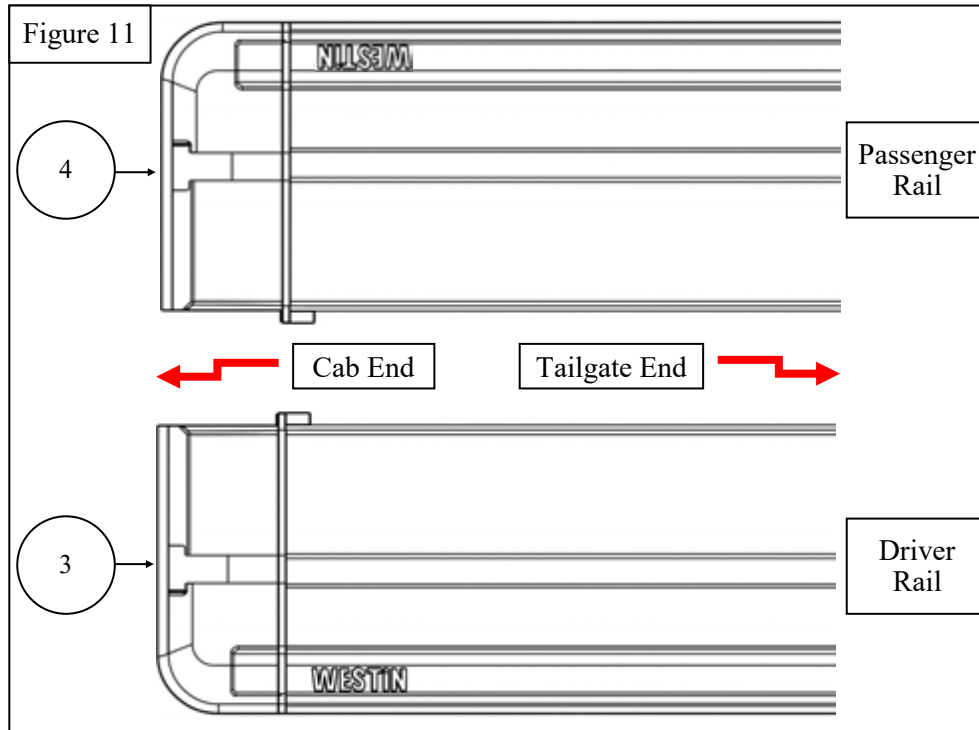
2. If the truck bed is equipped with Utility Tracks mounted to the bed, remove them using a 10MM Wrench or a 10MM socket and ratchet. These utility tracks will not be reinstated. See **Figure 1**.
3. If the truck is equipped with reinforcement brackets located at the front corners of the bed, then they must also be removed and will not be reinstated. See **Figure 2**.
4. If the truck bed does not have threaded inserts installed, identify the mounting points on the side of the bed. Install the provided M6 Inserts (**Item 21**) using the M6 Insert Tool (**Item 20**). Each side of the bed will require 6 M6 Inserts, two per mounting location. See **Figure 3**.



5. Clean the top of the plastic bed caps and the top of the front bed bulkhead of dirt/debris. Install Bed Front Gap Foam Seal (hard foam seal, **Item 18**) across the top of the front bed wall. See **Figures 4-8**.
6. Install the Bed Rail Top Foam Seal (soft foam seal, **Item 17**) across the top of the front bulkhead (on top of the hard foam seal) and the plastic bed caps. A small amount of sealant may be used at the corners of the front bulkhead to improve water resistance. See **Figure 9 & 10**.



7. Remove the protective plastic wrapping from the side rails and identify the Driver and Passenger Side Rails (**Items 3 & 4**). See **Figure 11**.
8. Carefully pull the tonneau cover out from the canister and ensure that the stopper on the tonneau cover is in front of the limit block on the canister. See **Figure 12**.



WESTIN

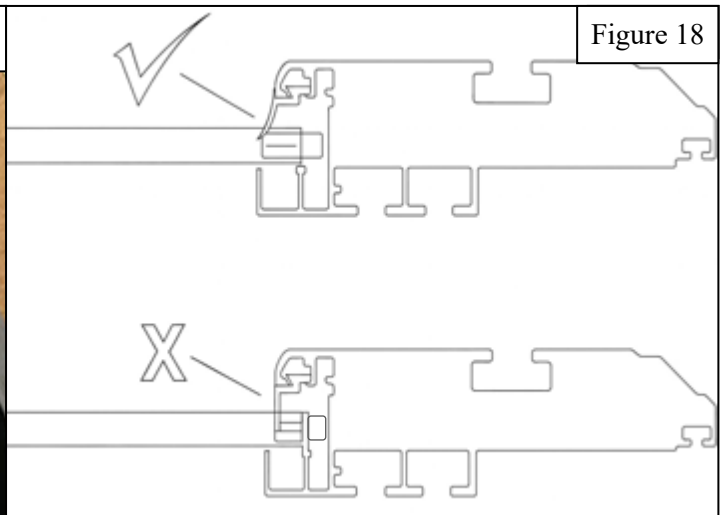
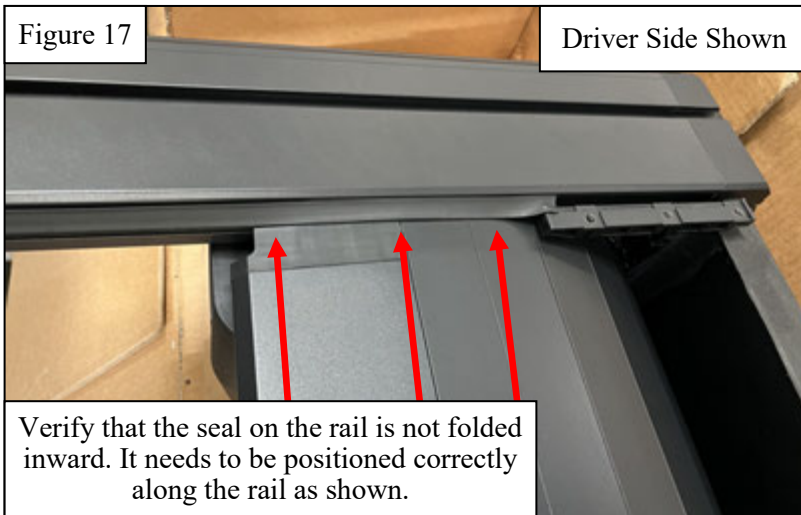
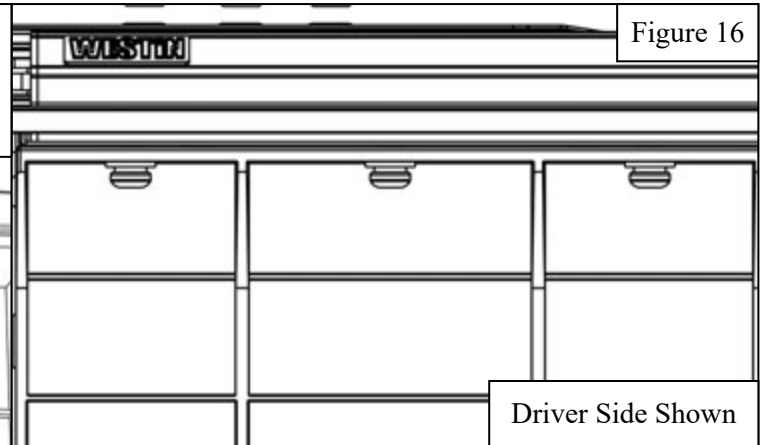
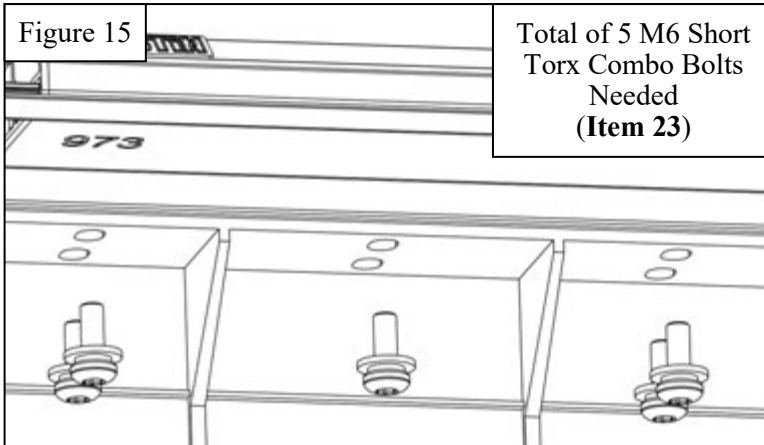
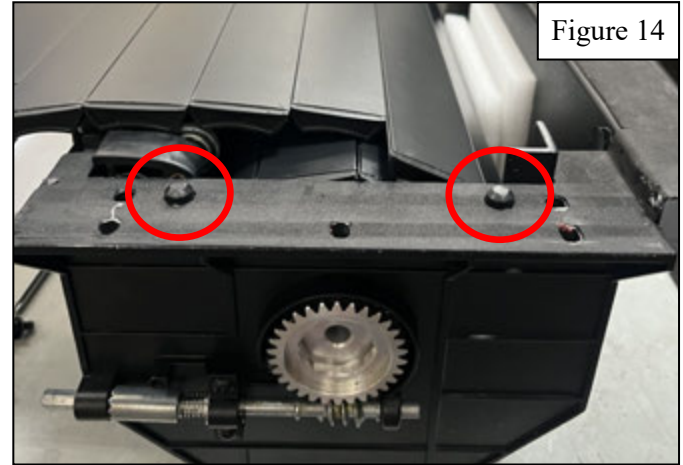
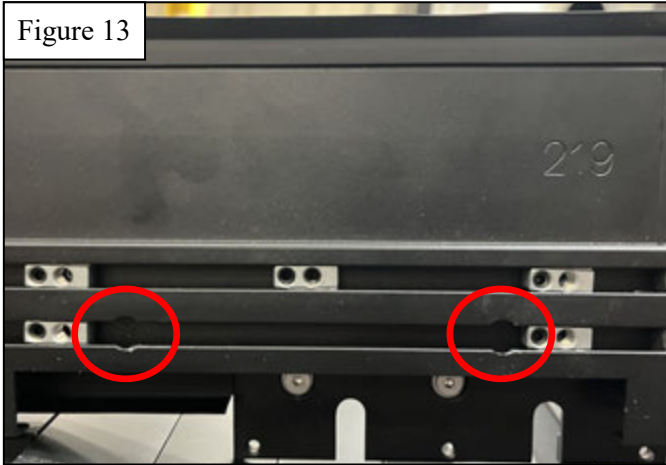
Westin Automotive Products, Inc.
320 W. Covina Blvd
San Dimas, Ca. 91773

Thank you for choosing Westin products
for additional installation assistance please call
Customer Service (800) 793-7846

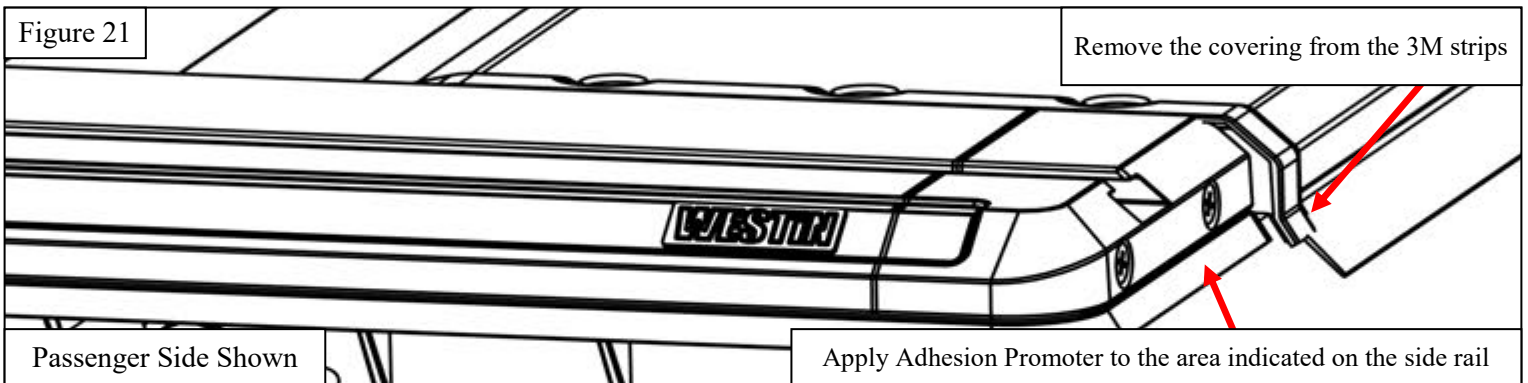
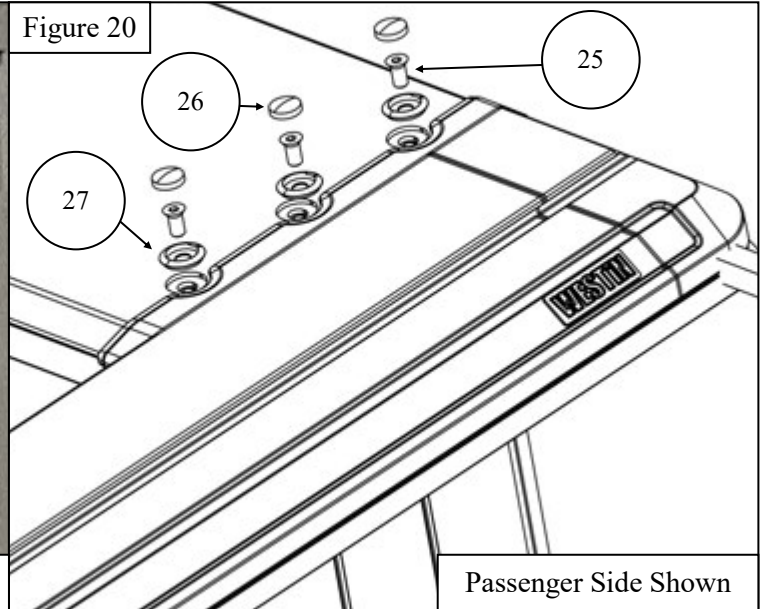
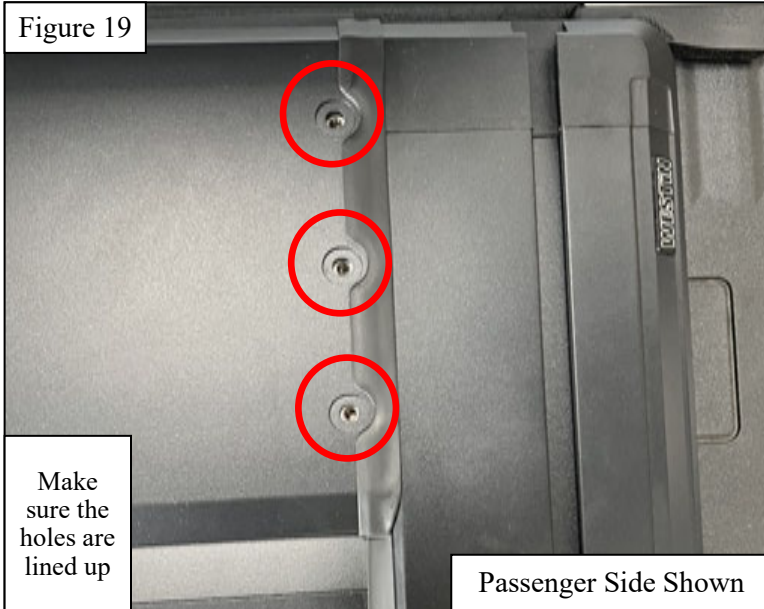
www.westinautomotive.com

DATE: 01/05/2026

9. Starting on the Passenger Side, line up the rail with the canister and carefully slide it inward, ensuring that the ends of the tonneau cover slats are properly inserted into the side rail channel. It may be necessary to lift up part of the side rail sweep seal so that it stays on top of the cover slats and does not get tucked in. See **Figures 13 & 14**.
10. Check that the side rail is sitting flush on top of the canister, then use 5 M6 Short Torx Combo Bolts (**Item 23**) to install the side rail onto the canister. See **Figures 15-18**.
11. Repeat **steps 9 and 10** for the Driver Side Rail (**Item 3**).

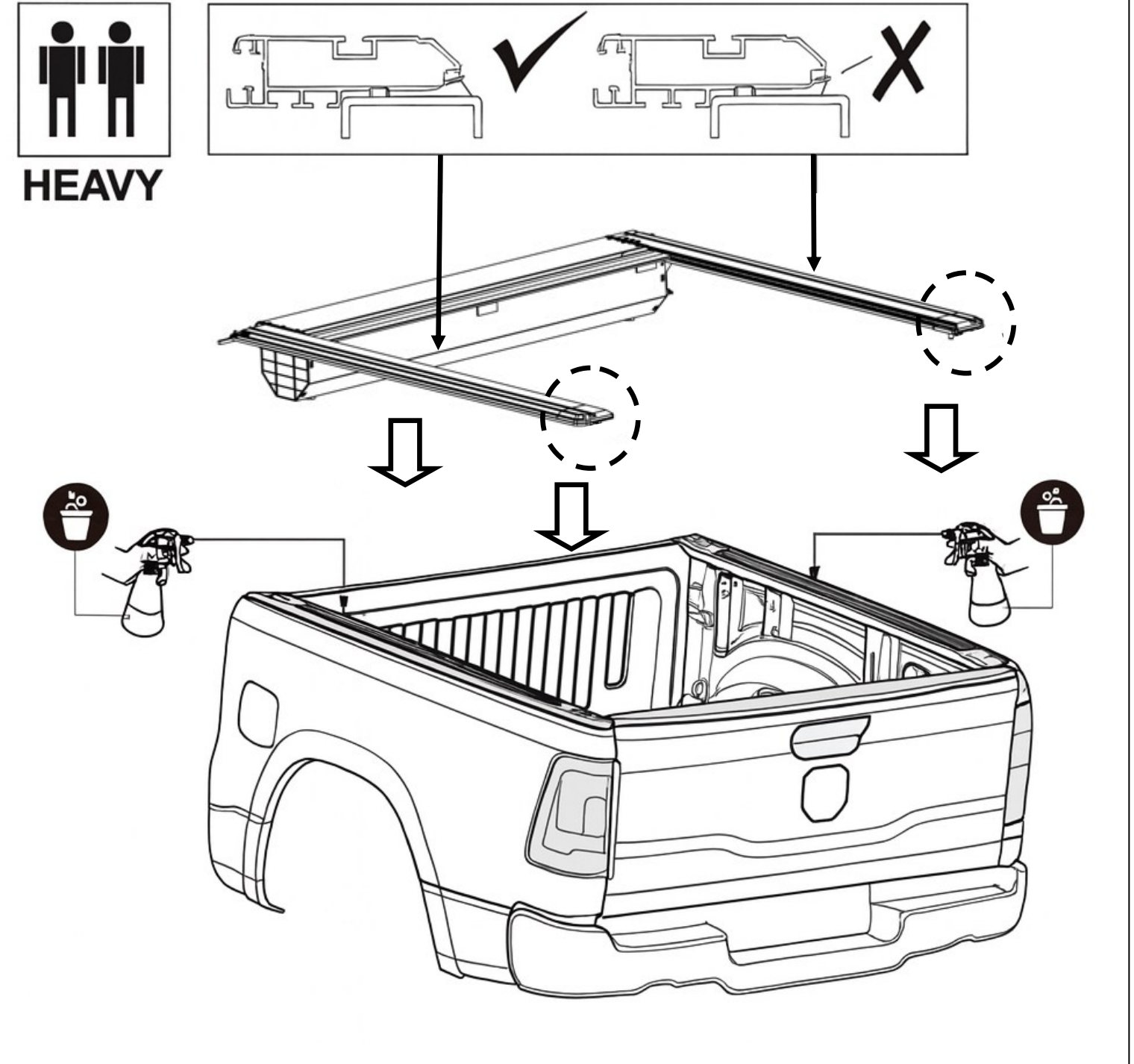


12. Install the Canister Cover Plate (**Item 2**), place the canister cover plate on top of the canister and make sure the mount holes line up with the mount points on the canister. Place one Plastic Ring (**Item 27**) into each hole on the canister cover plate, then use 6 M5 Countersunk Bolts (**Item 25**) to attach the canister cover plate to the canister. Cover the 6 mounting holes using the provided Plastic Caps (**Item 26**). Use **Figures 19 and 20** as reference.
13. Remove the covering over the adhesive strips on the ends of the weather seal and press onto the bottom of the side rails. See **Figure 21**.



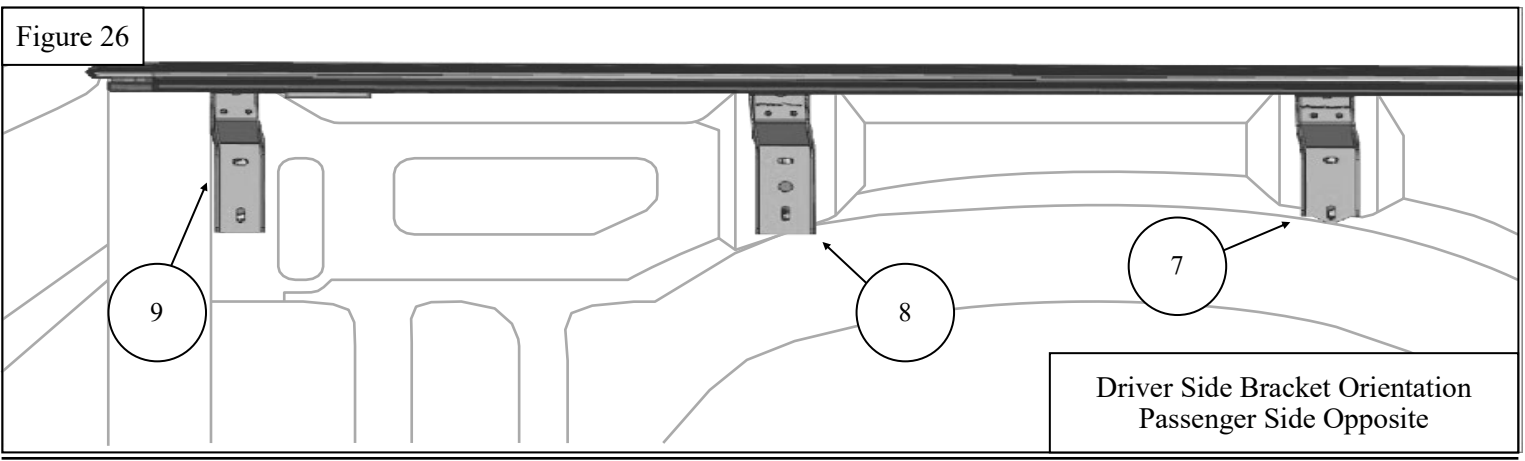
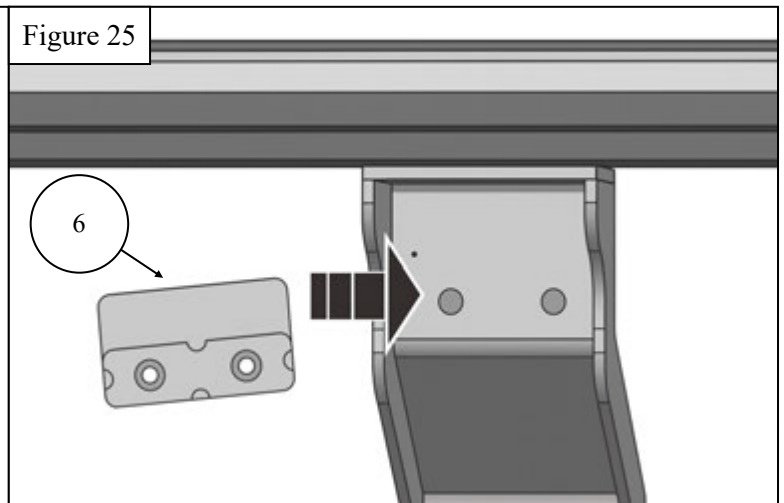
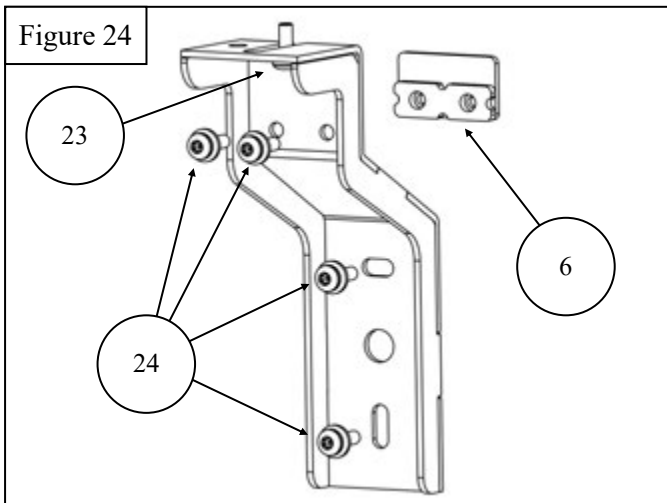
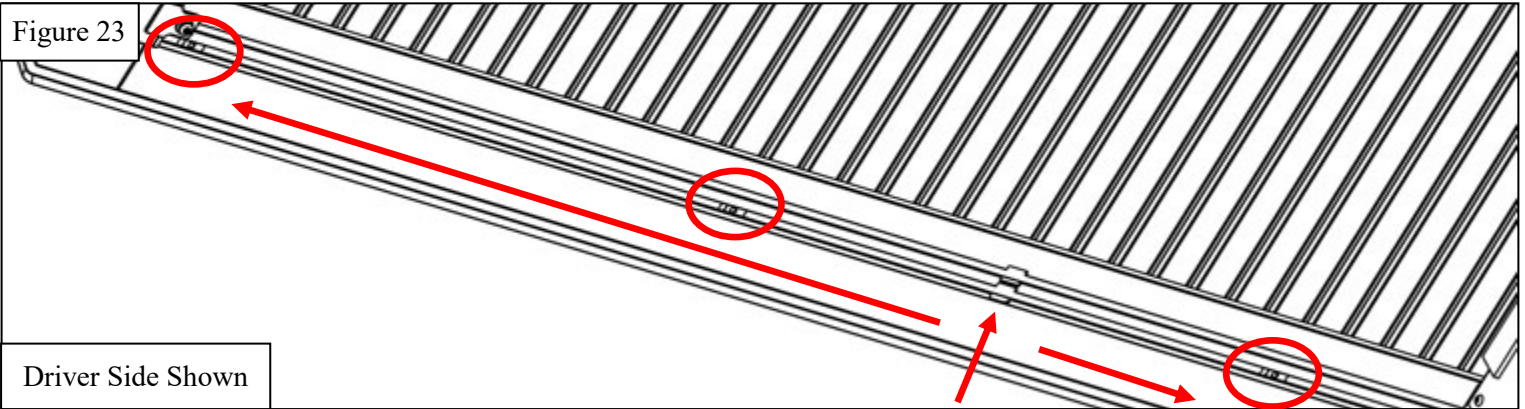
14. With assistance, carefully lift the tonneau cover assembly and place it on top of the truck bed. Do not slide the tonneau cover along the bed as this will damage the foam seals. Carefully lift the tonneau cover and position it as far forward as possible. See **Figure 22**.

Figure 22

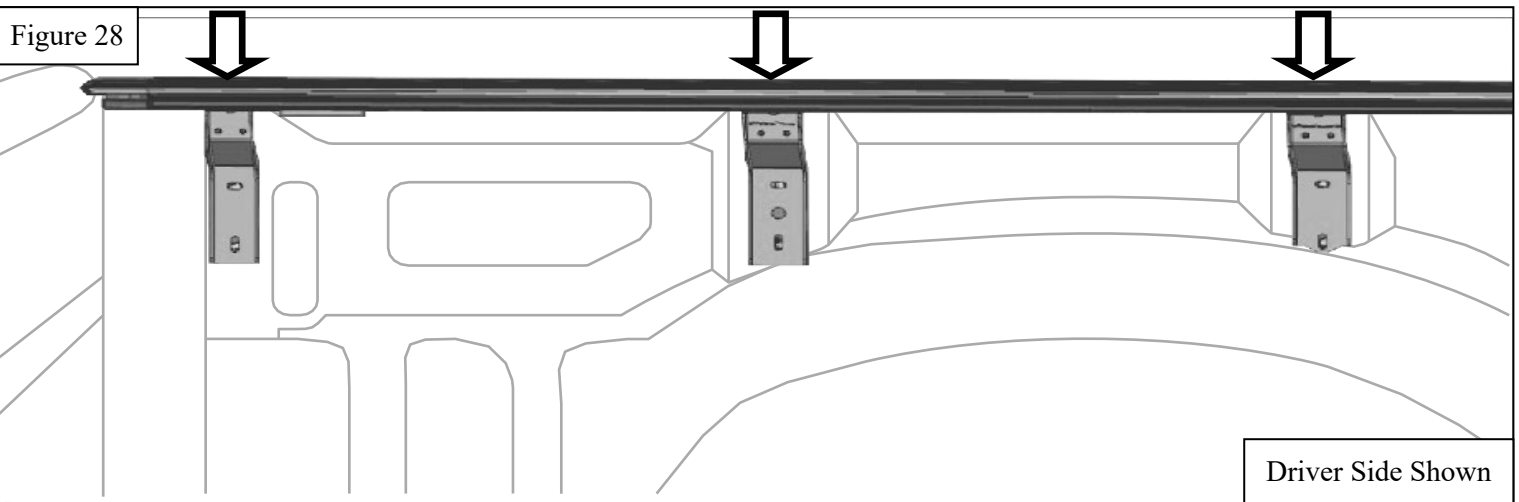
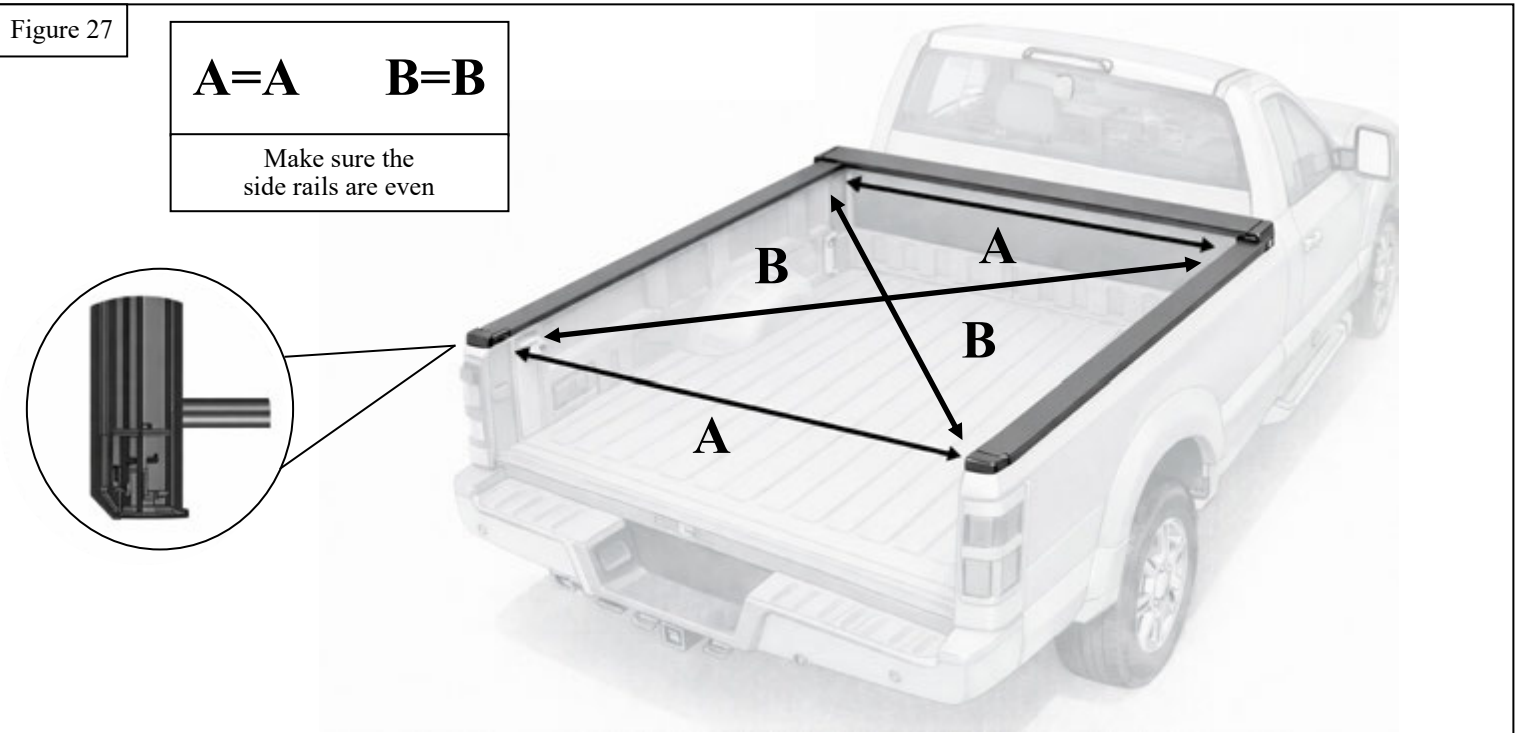


15. Starting on the Driver Side, insert 3 M6 T-Channel Nuts (**Item 22**) into the channel on the bottom of each side rail and position them above the mounting points for the mount brackets. Identify the Front, Center, and Rear Mounting Brackets (**Items 7-9**) and position them at the corresponding bed mounting points. See **Figures 23 and 26**.
16. Use 2 M6 Long Torx Combo Bolts (**Item 24**) on each mounting bracket to attach them onto the bed wall and 1 M6 Short Torx Combo Bolt (**Item 23**) to attach the mounting brackets to the side rails. See **Figure 24**.
17. Attach the Double Nut Support Brackets (**Item 6**) to the mounting brackets using 2 M6 Long Torx Combo Bolts (**Item 24**). The Double Nut Support Brackets will be tightened to the bed lip. Use **Figures 24 and 25** as reference.
18. Repeat **steps 15-17** for the Passenger Side Rail and Brackets (**Items 7-8, 10**).

NOTE: Leave all mounting bracket hardware loose.

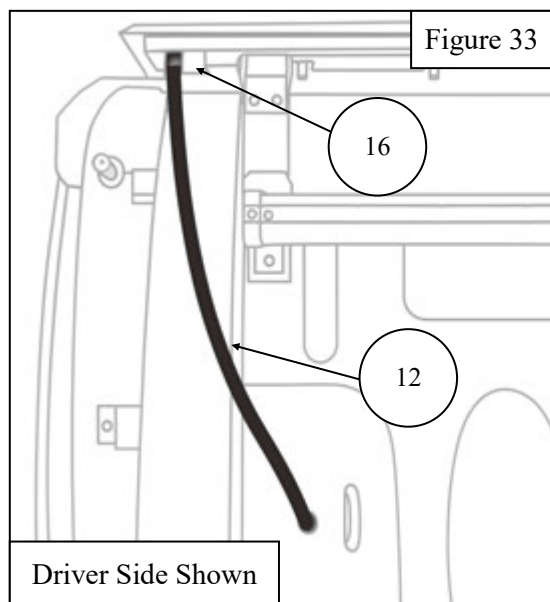
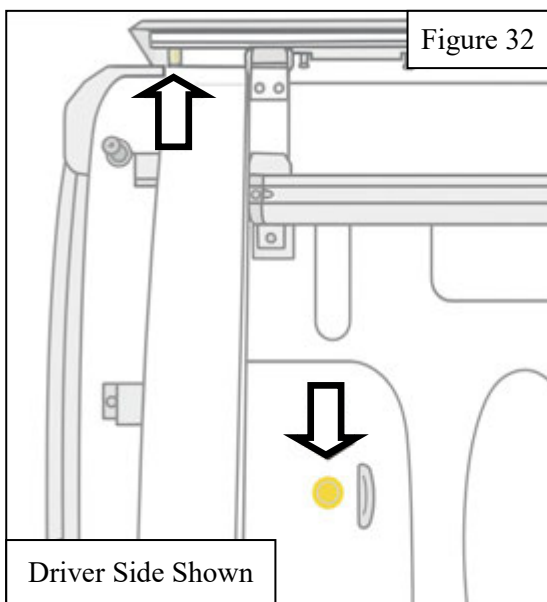
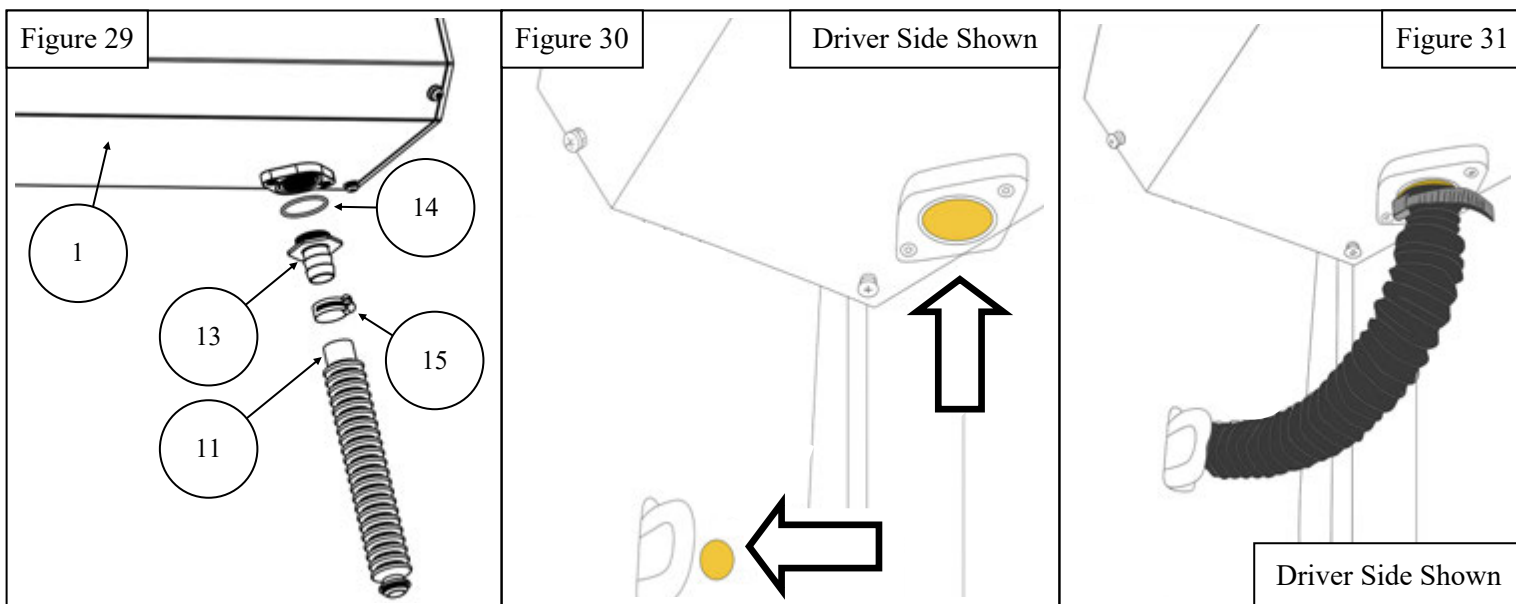


19. Align the side rails by using the Alignment Bar (**Item 5**). Insert the bar into the channel on the inner side of both side rails. Slide the alignment bar along the channels and check that the distance between the side rails is the same front-to-rear. Shift the ends of the side rails until the optimum position is achieved, then carefully push down on the end of the side rails and tighten the hardware for the rear mounting brackets. Use the alignment bar to double check the gap between the side rails and measure the distance between the outside of each side rail and the outer edge of the bed to ensure they are positioned centrally. This process may need to be repeated a few times until all measurements are optimal. After this has been completed, proceed to tighten the hardware for the front and center brackets, carefully pushing down on the side rails above each mounting bracket before tightening the hardware. As a final check, ensure the tonneau cover will operate smoothly. If it moves easily with no binding/ rough spots, proceed with the rest of the installation. If it is difficult to operate or has rough spots, the side rails will need further adjustment until the tonneau cover operates smoothly. See **Figures 27 and 28**.
20. Tighten all M5 hardware to 4-6 ft-lbs. and M6 hardware to 7-11 ft-lbs.



21. Starting on the Driver Side, install the Front Drain Tube Adapter (**Item 13**) onto the Front Drain Tube (**Item 11**) and tighten using the supplied Front Tube Clamp (**Item 15**). Place a Rubber Ring (**Item 14**) into the threaded mounting hole on the bottom of the canister then screw the drain tube adapter into the hole. See **Figures 29-31**.
22. Route the end of the Front Drain Tube through the hole in the side of the bed, located next to the front bed tie down hoop. See **Figures 30 & 31**.
23. Slip the end of the Rear Drain Tube (**Item 12**) with the pre-installed Rear Tube Clamp (**Item 16**) onto the drain outlet at the end of the side rail. See **Figures 32 & 33**.
24. Route the bottom of the Rear Drain Tube through the hole at the base of the bed, next to the rear bed tie down hoop. Tighten the tube clamp until the drain tube is snug on the drain outlet. See **Figure 33**.
25. Repeat **steps 21-24** for the Passenger Side.

NOTE: Do not over-tighten the front drain tube adapter as this may damage the plastic fittings, and do not over tighten the tube clamps as this may cause damage to the drain outlet.



LOCK & UNLOCK INSTRUCTIONS

26. Swing the pull cord to the left to lock the cover. To unlock, swing the pull cord to the right. See **Figures 34 & 35**.

NOTE: Make sure the pull cord remains horizontal when locking or unlocking the cover. See **Figure 36**.

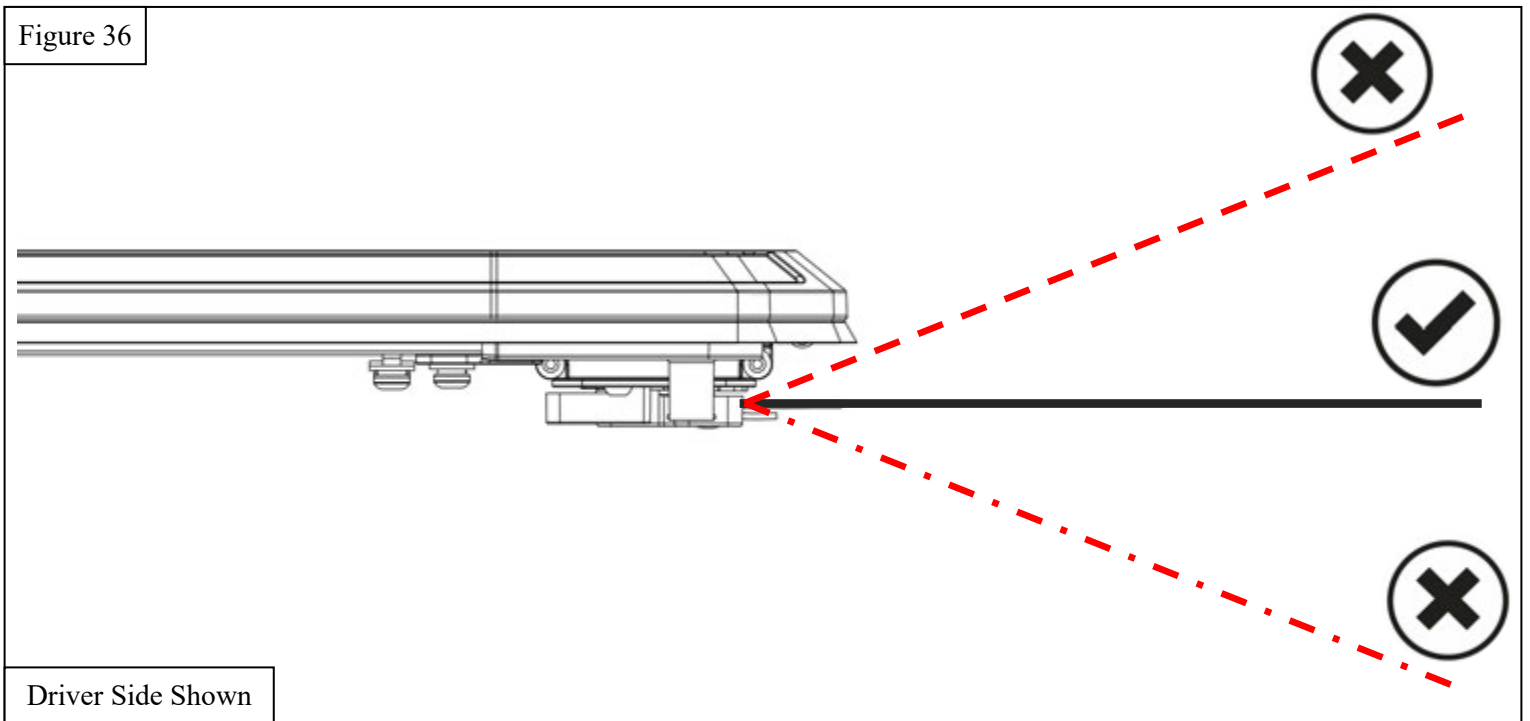
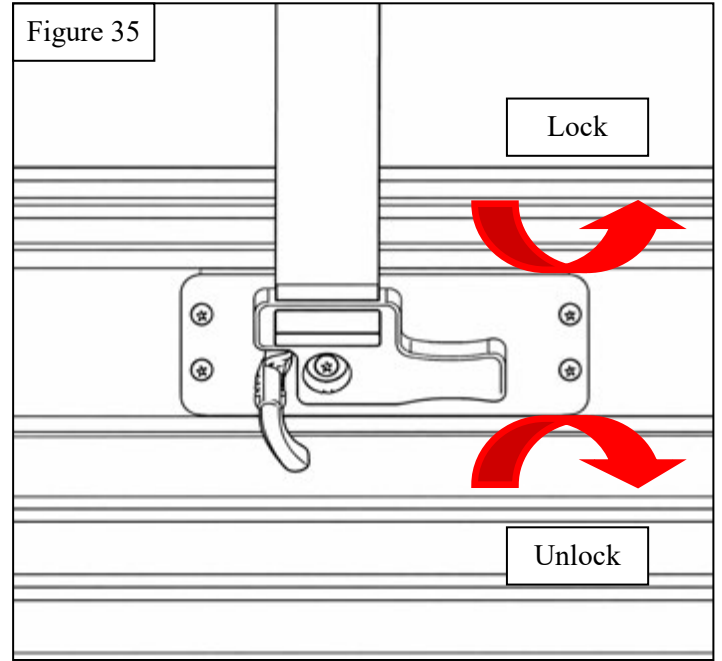
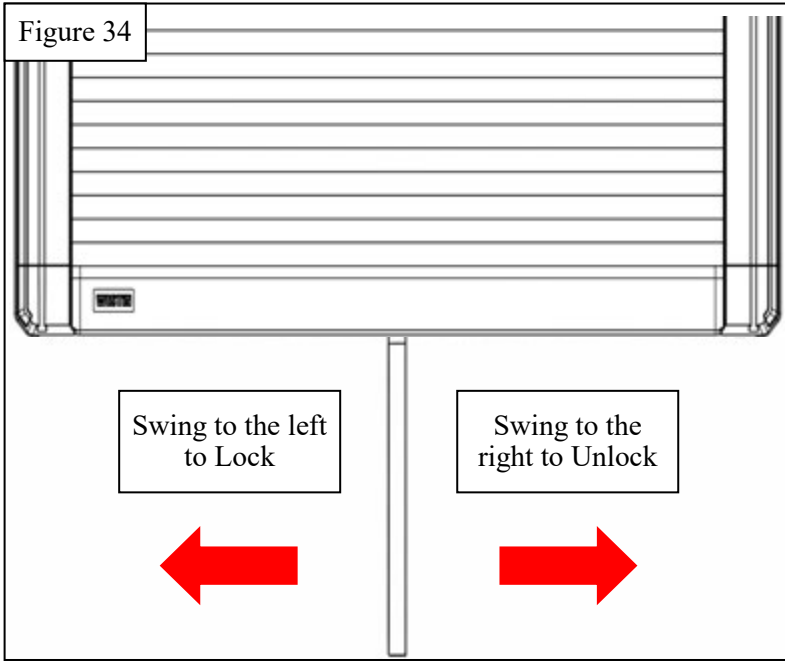
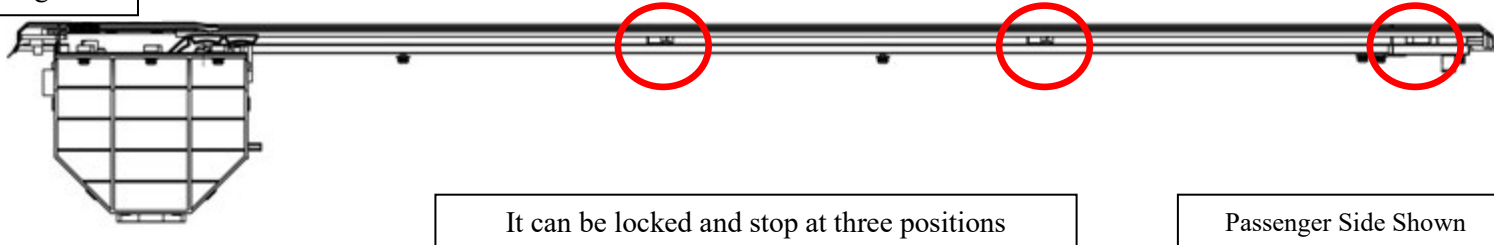


Figure 37

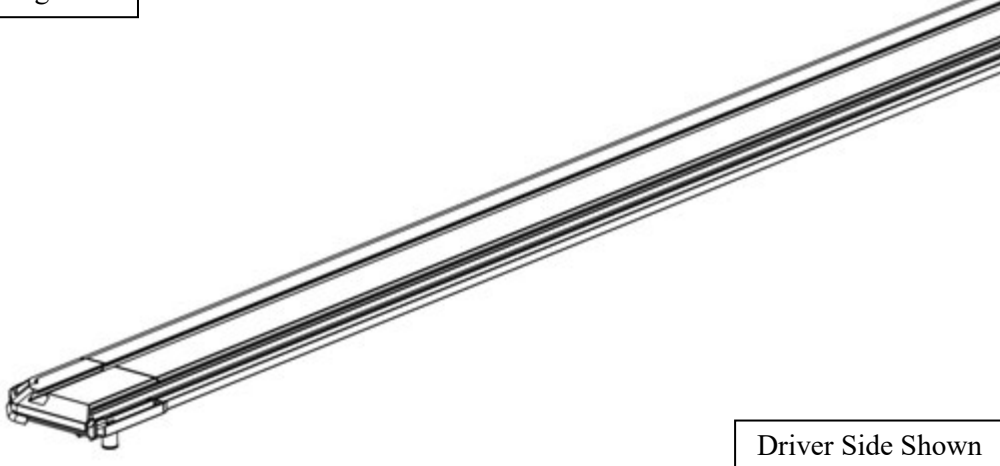


IMPORTANT MAINTENANCE NOTES

- 27. Grease the inner track of the side rails. See **Figures 38 & 39** as reference.
- 28. To adjust the tightness of the spring, push the worm inward and then rotate it. See **Figures 40 & 41**.

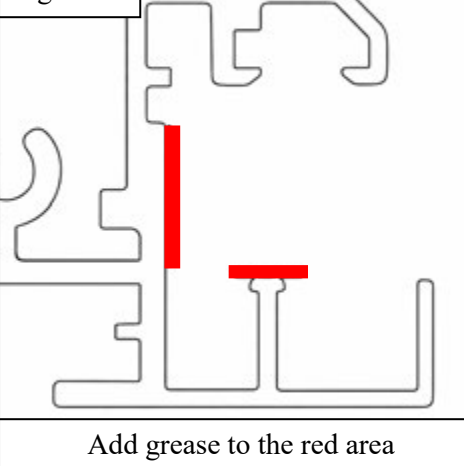
NOTE: These two steps should be carried out every 3 months for product maintenance and calibration. If there are special circumstances, the maintenance and calibration periods can be shortened according to the actual situation to ensure the product is always in the best working conditions.

Figure 38



Driver Side Shown

Figure 39



Add grease to the red area

Figure 40

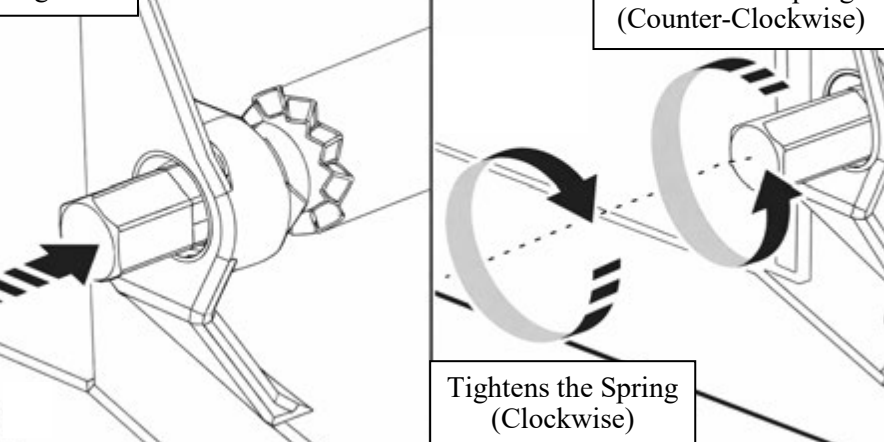
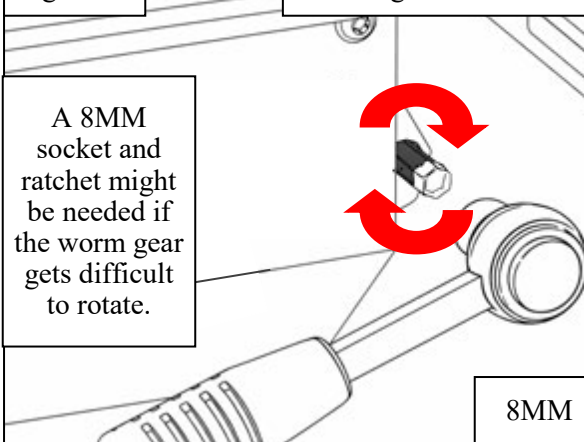


Figure 41

Passenger Side Shown



INSTALLATION COMPLETE



CARE INSTRUCTIONS

- TEXTURE BLACK FINISHES SHOULD BE CLEANED WITH MILD SOAP AND WATER ONLY (DO NOT WAX).
- GLOSS BLACK FINISHES SHOULD BE CLEANED WITH MILD SOAP AND WATER.
- POLISHED STAINLESS PRODUCTS SHOULD BE CLEANED WITH MILD SOAP AND WATER. STAINLESS STEEL POLISH MAY BE USED TO REMOVE SMALL SCRATCHES.
- REGULAR WAXING IS RECOMMENDED FOR GLOSS BLACK AND STAINLESS STEEL PRODUCTS. DO NOT USE WAX THAT MAY CONTAIN ABRASIVES.



Westin Automotive Products, Inc.
320 W. Covina Blvd
San Dimas, Ca. 91773

Thank you for choosing Westin products
for additional installation assistance please call
Customer Service (800) 793-7846
www.westinautomotive.com



WARNING



Failure to follow these instructions could lead to death, personal injury, and/or property damage.

FASTENERS:

All Westin supplied fasteners must be utilized and installed in accordance with the installation instructions and apply torque to the specifications as defined. **DOUBLE CHECK ALL FASTENERS BEFORE INITIAL USE, AND PERIODICALLY IN THE FUTURE TO ENSURE PROPER FUNCTION AND SAFETY.**

DRILLING:

Most Westin products do not require drilling for installation. If drilling is defined as required, use caution when drilling a vehicle. **FAILURE TO REVIEW AN AREA TO BE DRILLED MAY RESULT IN PERSONAL INJURY AND/OR INJURY TO OTHERS AS WELL AS VEHICLE DAMAGE.**

EYE PROTECTION:

ALWAYS WEAR SAFETY GLASSES OR GOGGLES DURING THE INSTALLATION PROCESS TO AVOID PERSONAL INJURY.

MAXIMUM TOWING/CARRYING CAPACITY: (if applicable)

The Westin Receiver Hitches will have a visible tow rating label affixed directly on the product. User should never exceed the vehicle manufacturer's maximum tow and weight rating regardless of the capacity of the hitch. **FAILURE TO FOLLOW THESE GUIDELINES WILL VOID THE WESTIN WARRANTY AND MAY RESULT IN PERSONAL INJURY AND/OR INJURY TO OTHERS AS WELL AS VEHICLE DAMAGE.**

FOR CALIFORNIA RESIDENTS ONLY-PROP 65 WARNING:

Some products may contain chemicals such as DEHP, which can cause cancer, birth defects or other reproductive harm. For more info go to www.p65warnings.ca.gov