

INSTALLATION INSTRUCTIONS



MANUAL TONNEAU COVER

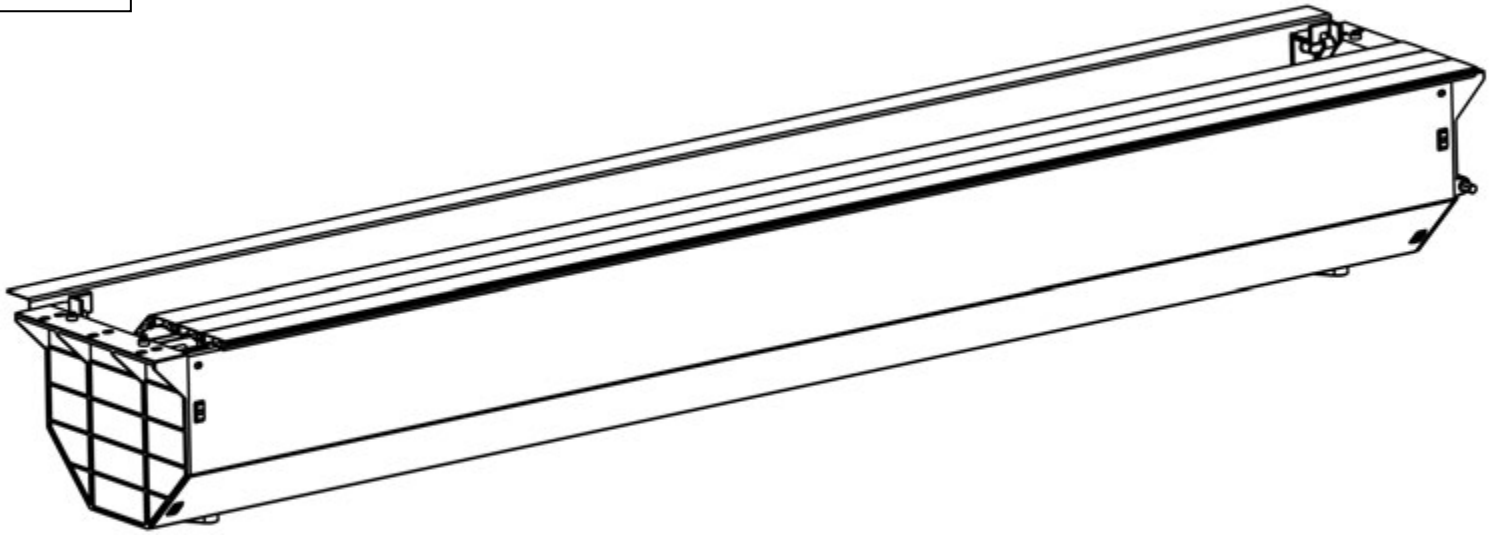
APPLICATION:
2015-2026 FORD F-150 5'5" BED;
2022-2026 FORD F-150 LIGHTNING 5'5" BED

PART NUMBER: 19-64625

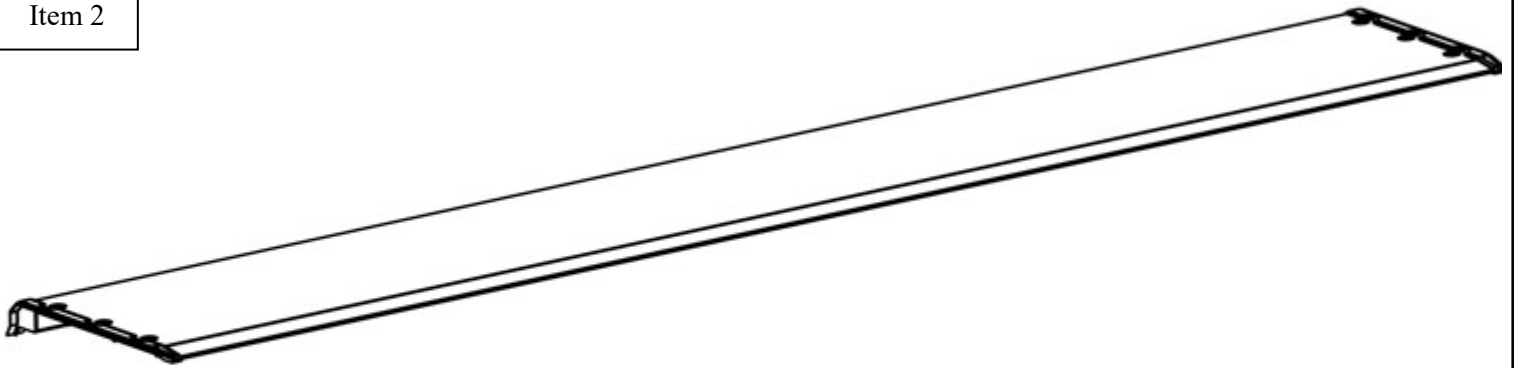
| CONTENT | | | |
|---------|----------|----------------------------------|----------------------|
| ITEM | QUANTITY | DESCRIPTION | TOOLS NEEDED |
| 1 | 1 | TONNEAU COVER CANISTER ASSEMBLY | PHILLIPS SCREWDRIVER |
| 2 | 1 | CANISTER COVER PLATE | FLAT SCREWDRIVER |
| 3 | 1 | DRIVER SIDE RAIL | SCISSORS |
| 4 | 1 | PASSENGER SIDE RAIL | TAPE MEASURE |
| 5 | 1 | ALIGNMENT BAR | T30 TORX BIT |
| 6 | 1 | FRONT DRIVER MOUNTING BRACKET | DRILL |
| 7 | 1 | FRONT PASSENGER MOUNTING BRACKET | |
| 8 | 2 | MOUNTING BRACKET | |
| 9 | 4 | DOUBLE NUT SUPPORT BRACKET | |
| 10 | 2 | FRONT DRAIN TUBE ADAPTER | |
| 11 | 2 | FRONT DRAIN TUBE | |
| 12 | 2 | REAR DRAIN TUBE | |
| 13 | 2 | RUBBER RING | |
| 14 | 2 | FRONT TUBE CLAMP | |
| 15 | 2 | REAR TUBE CLAMP | |
| 16 | 1 | FRONT BED GAP FOAM SEAL | |
| 17 | 3 | TOP BED RAIL FOAM SEAL | |
| 18 | 1 | ADHESION PROMOTER | |
| 19 | 1 | 19MM HOLE SAW | |
| 20 | 8 | M6 T-CHANNEL NUT | |
| 21 | 18 | M6 SHORT TORX COMBO BOLT | |
| 22 | 24 | M6 LONG TORX COMBO BOLT | |
| 23 | 6 | M5 COUNTERSUNK SCREW | |
| 24 | 6 | PLASTIC RING | |
| 25 | 6 | PLASTIC CAP | |
| 26 | 1 | M6-1.00MM THREAD TAP | |

ANTI-SEIZE LUBRICANT MUST BE USED ON ALL STAINLESS STEEL FASTENERS TO PREVENT THREAD DAMAGE AND GALLING

Item 1



Item 2



Item 3

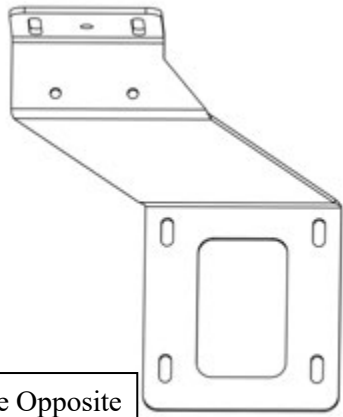


Passenger Side Opposite

Item 5

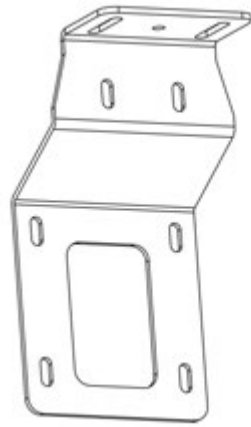


Item 6

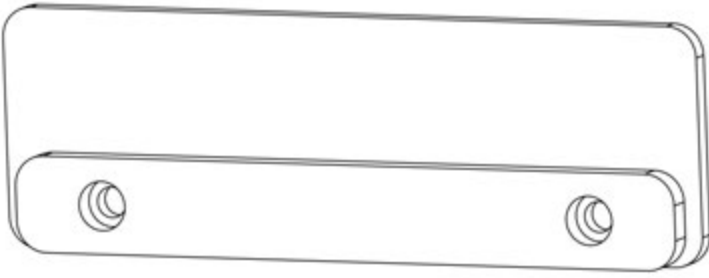


Passenger Side Opposite

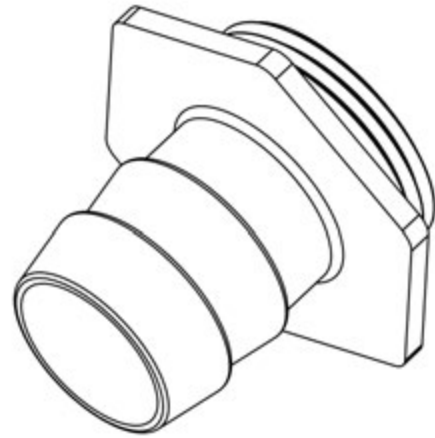
Item 8



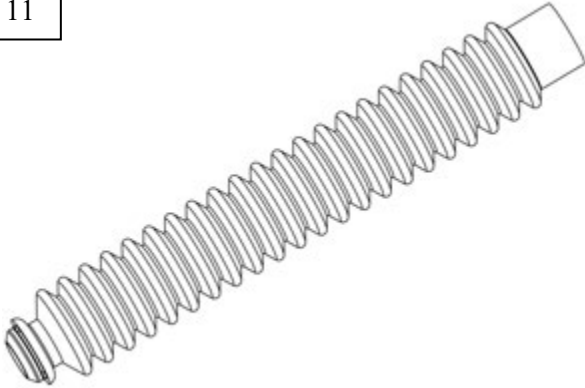
Item 9



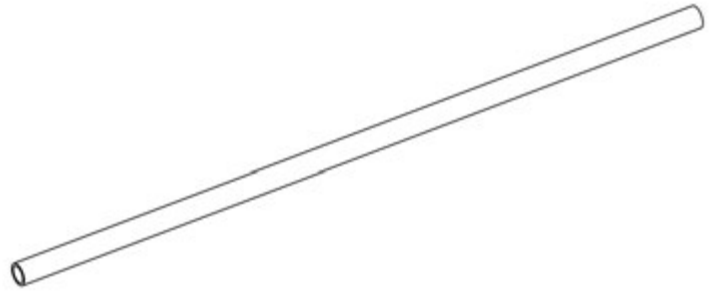
Item 10



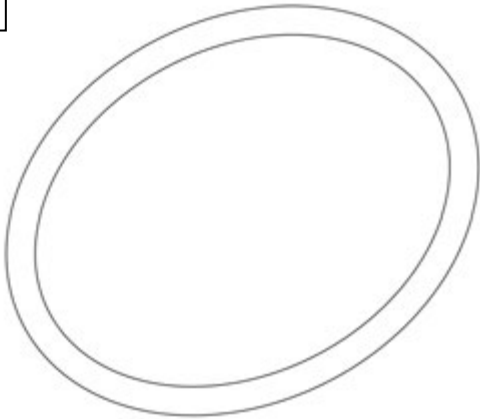
Item 11



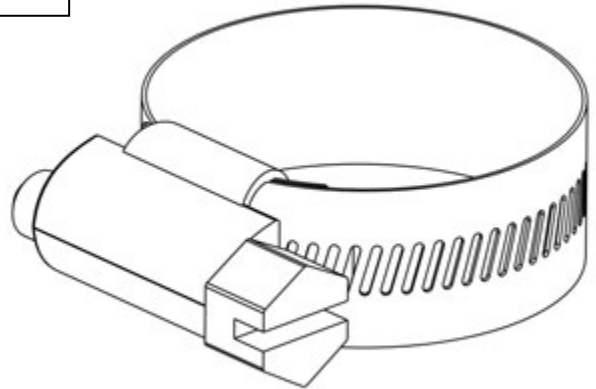
Item 12



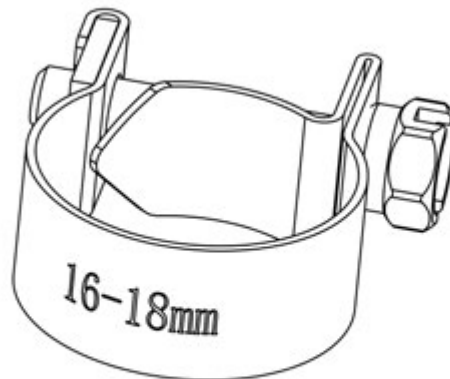
Item 13



Item 14



Item 15



WESTIN

Westin Automotive Products, Inc.
320 W. Covina Blvd
San Dimas, Ca. 91773

Thank you for choosing Westin products
for additional installation assistance please call
Customer Service (800) 793-7846
www.westinautomotive.com

Item 16



Hard Foam Seal

Item 17



Soft Foam Seal

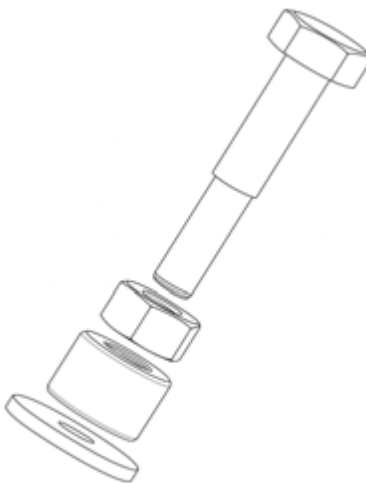
Item 18



Item 19



Item 26



PROCEDURE

1. Remove contents from the box, verify that all parts listed are present and free from damage. Carefully read and understand all instructions before attempting installation.
Failure to identify damage before installation could lead to a rejection of any claim.

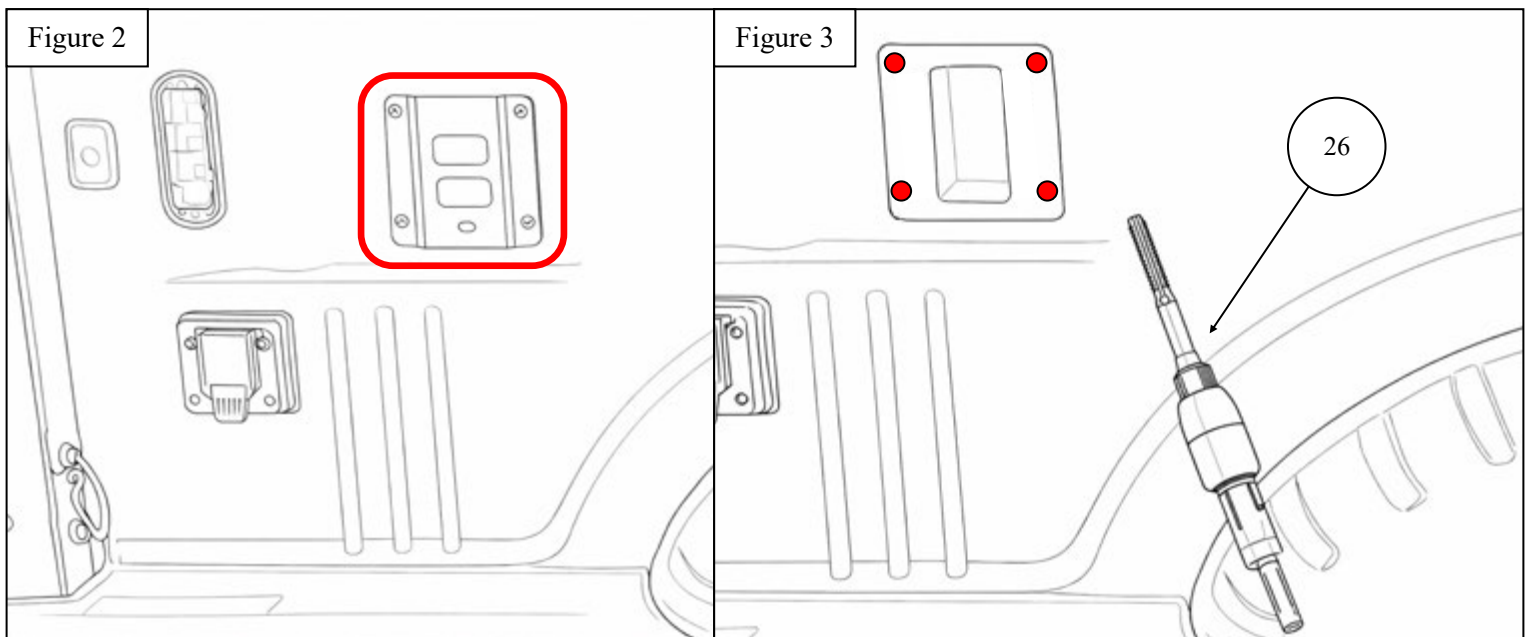


Westin Automotive Products, Inc.
320 W. Covina Blvd
San Dimas, Ca. 91773

Thank you for choosing Westin products
for additional installation assistance please call
Customer Service (800) 793-7846
www.westinautomotive.com

**BEFORE STARTING THE INSTALLATION OF THE PRODUCT
PREPARATION OF THE BED MAY BE REQUIRED PRIOR TO INSTALLATION.**

2. If the truck is equipped with bed-mounted utility brackets, temporarily remove them using a T30 Torx wrench. These can be reinstalled with the tonneau cover mounting brackets. See **Figures 1 & 2**.
3. If the truck is NOT equipped with bed-mounted utility brackets, it may be necessary to use the provided M6-1.00MM Thread Tap (**Item 26**) on the bed-mounted inserts. See **Figure 3**.



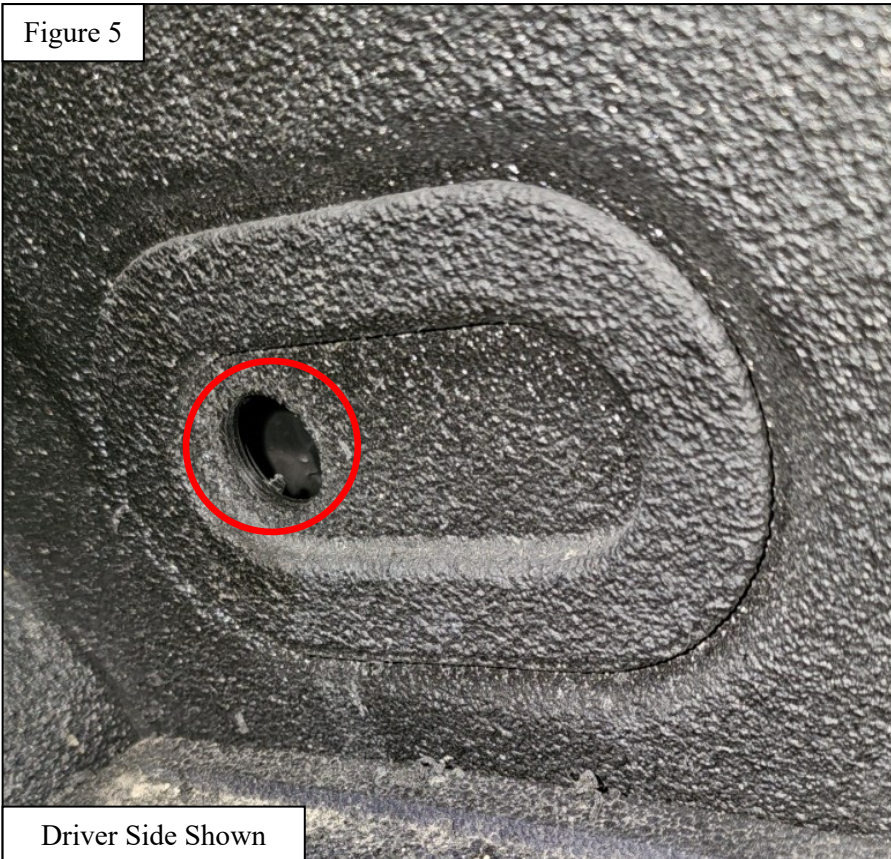
4. Remove the two plastic plugs located towards the front of the bed. Use the included 19MM Hole Saw (**Item 19**) to drill one hole for the front drain tube into each of the plastic plugs. Clean the edges of the holes to remove any residue, and reinstall the plastic plugs. See **Figures 4 & 5**.

NOTE: Located behind the factory plug are molded plastic ribs. If these ribs interfere with the proper seating of the front drain tubes, trim the ribs approximately halfway back to allow the tube to fully seat in the plug. Use **Figure 6** as a reference.

Figure 4

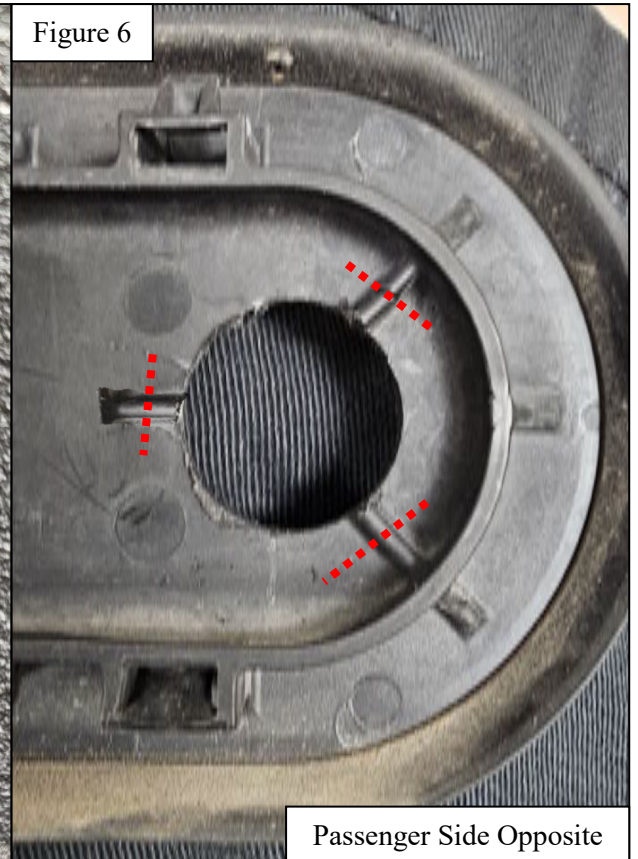


Figure 5



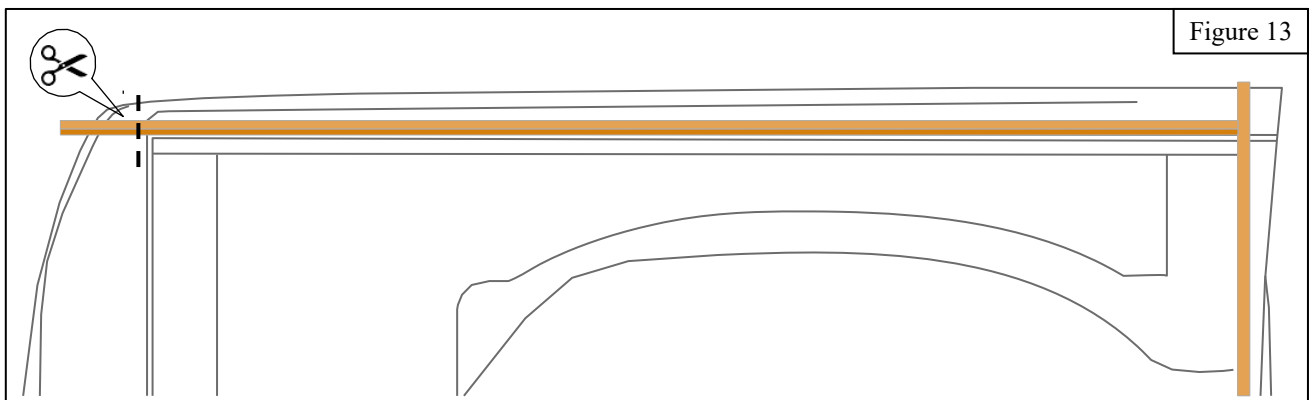
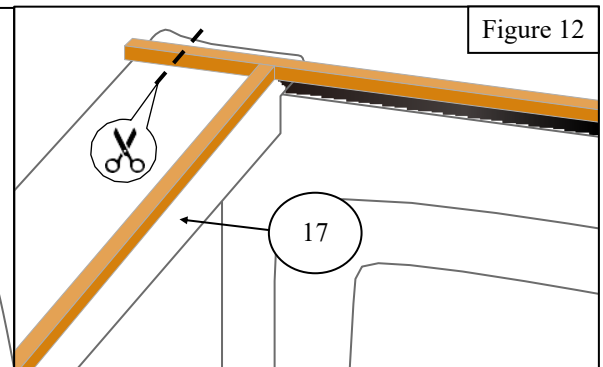
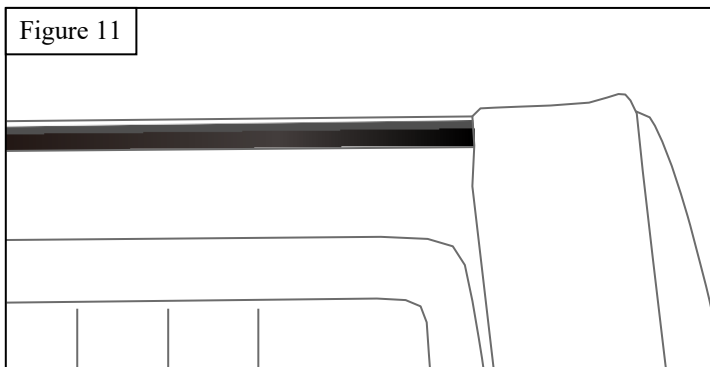
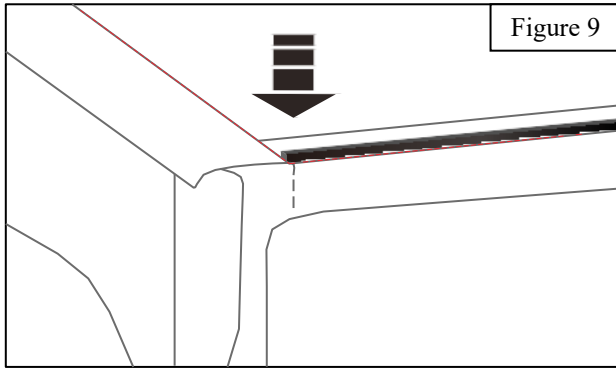
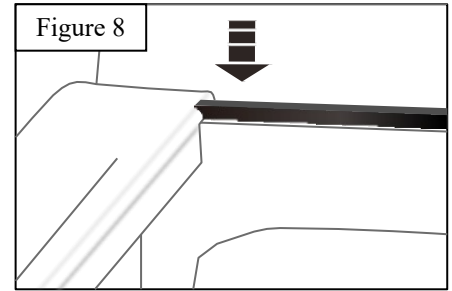
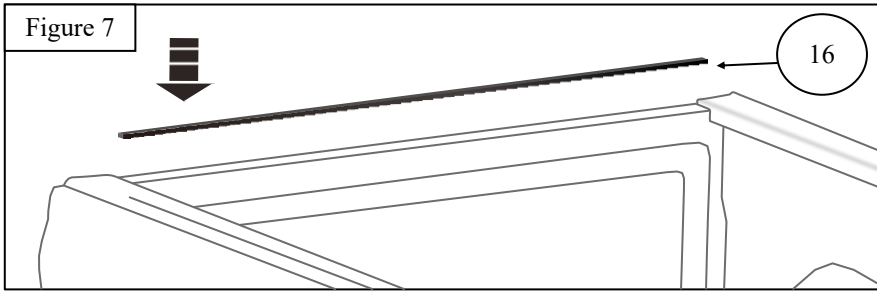
Driver Side Shown

Figure 6

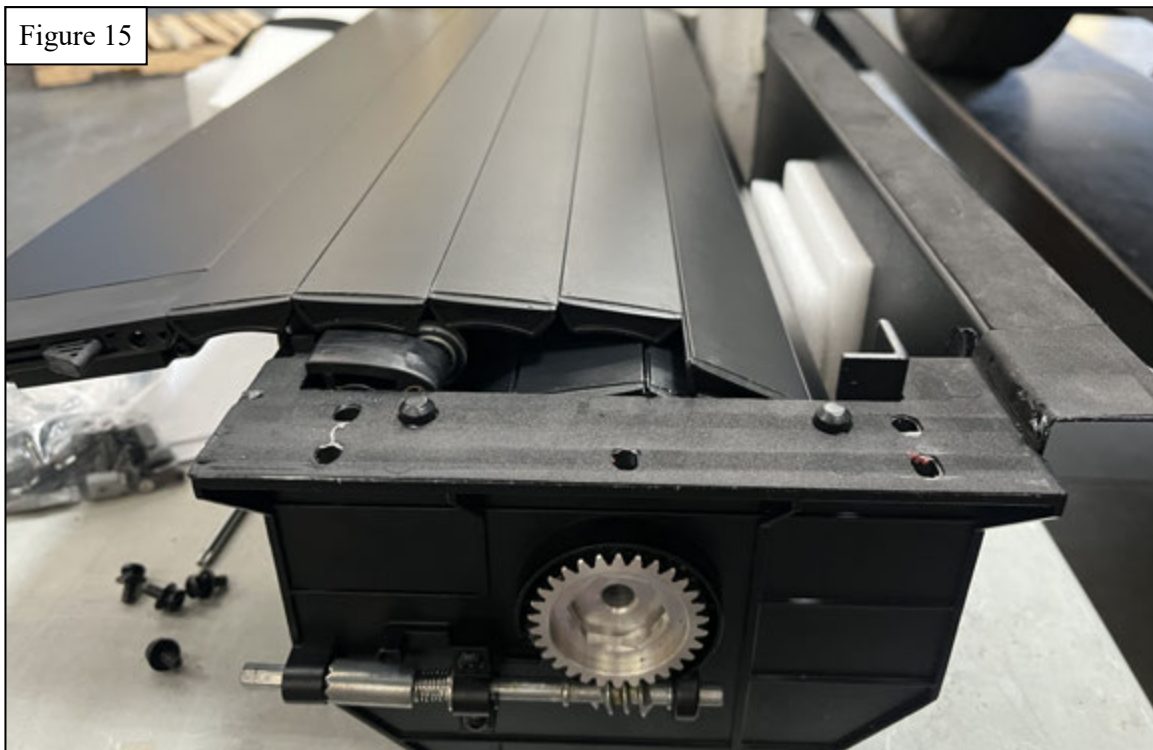
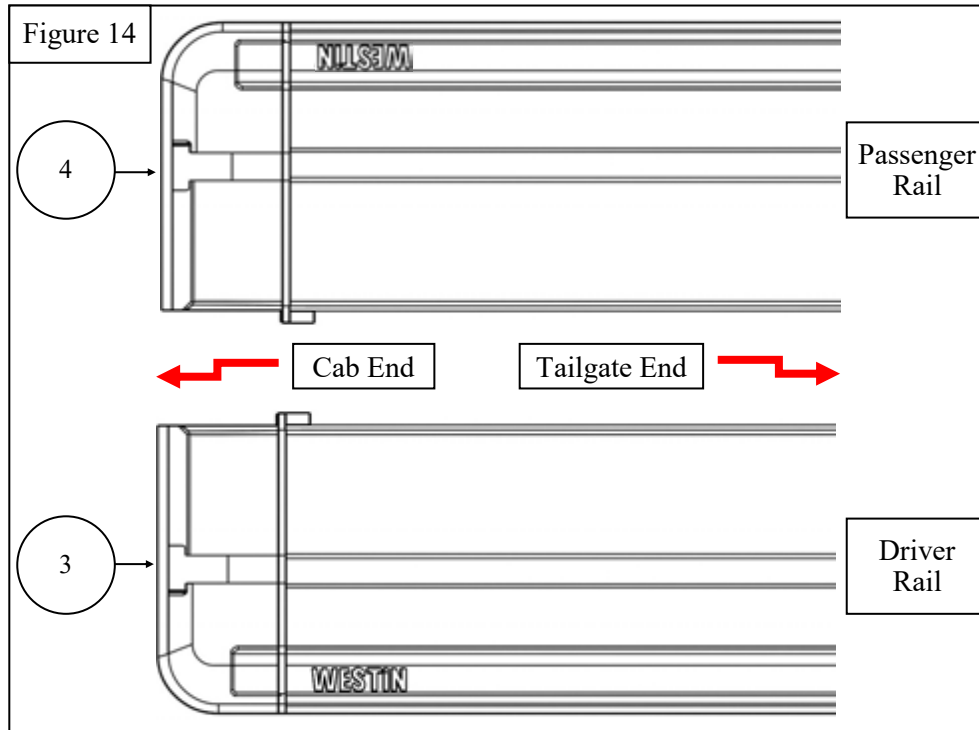


Passenger Side Opposite

5. Clean the top of the plastic bed caps and the top of the front bed bulkhead of dirt/debris. Install the Front Bed Gap Foam Seal (hard foam seal, **Item 16**) across the top of the front bed wall. See **Figures 7-11**.
6. Install the Top Bed Rail Foam Seal (soft foam seal, **Item 17**) across the top of the front bulkhead (installed over the hard foam seal) and the plastic bed caps. A small amount of sealant may be used at the corners of the front bulkhead to improve water-resistance. See **Figures 12 & 13**.



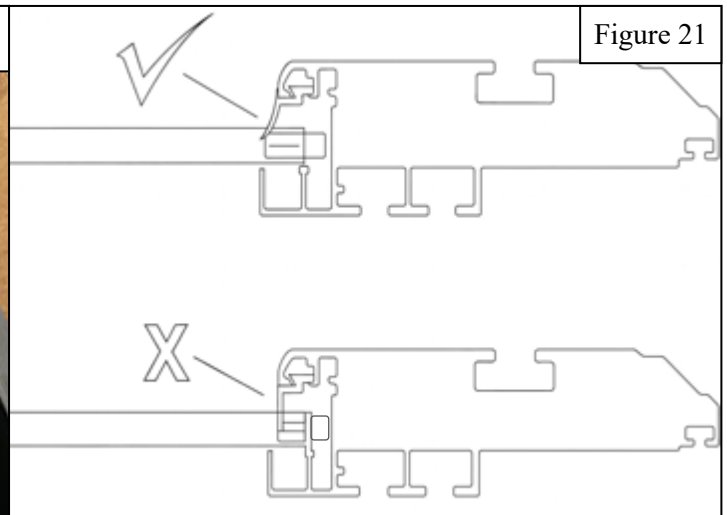
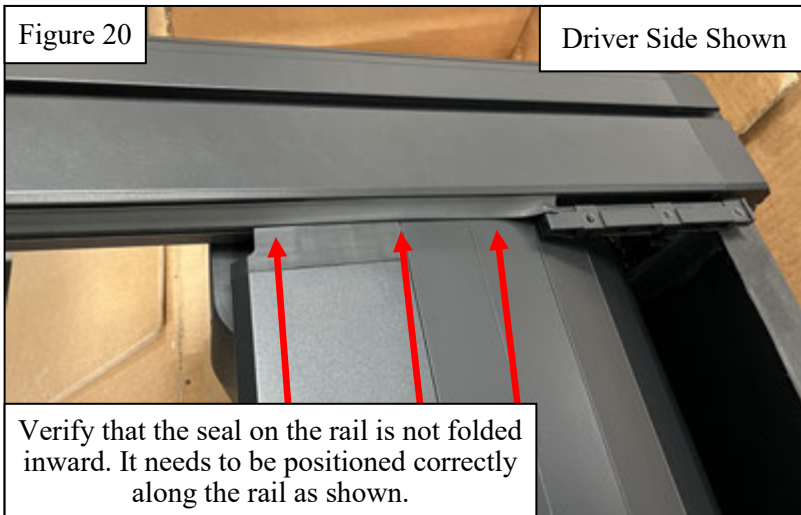
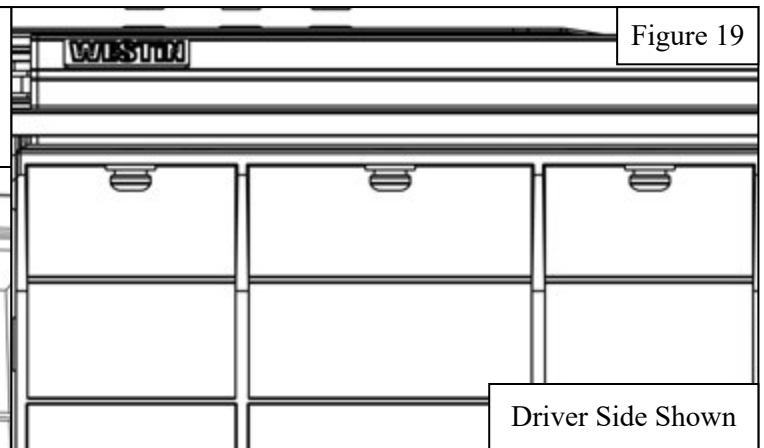
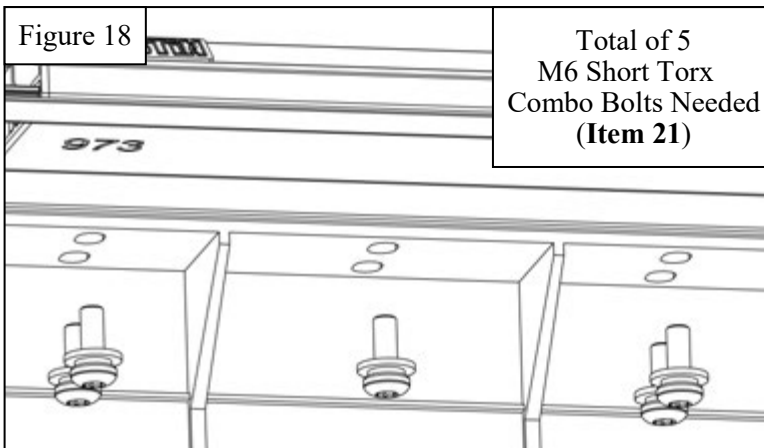
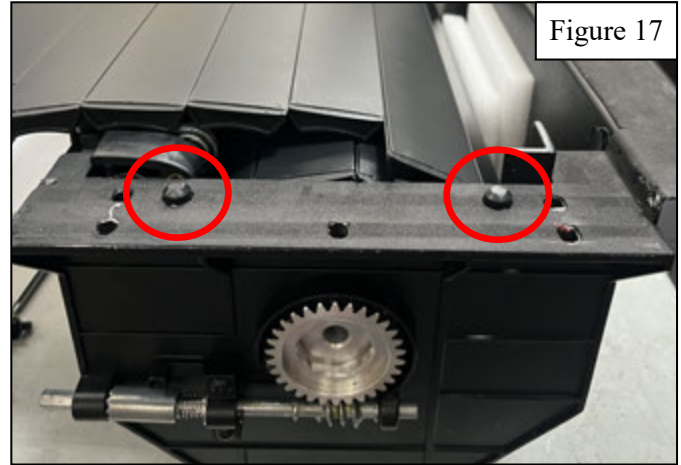
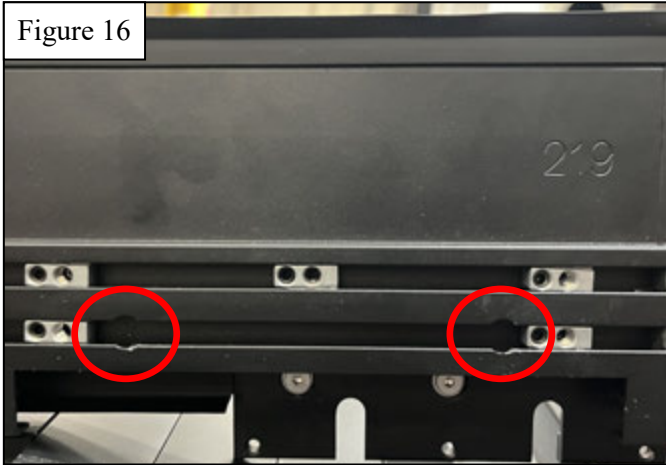
7. Remove the protective plastic wrapping from the side rails and identify the Driver and Passenger Side Rails (**Items 3 & 4**). See **Figure 14**.
8. Carefully pull the tonneau cover out from the canister and ensure the stopper on the tonneau cover is in front of the limit block on the canister. See **Figure 15**.



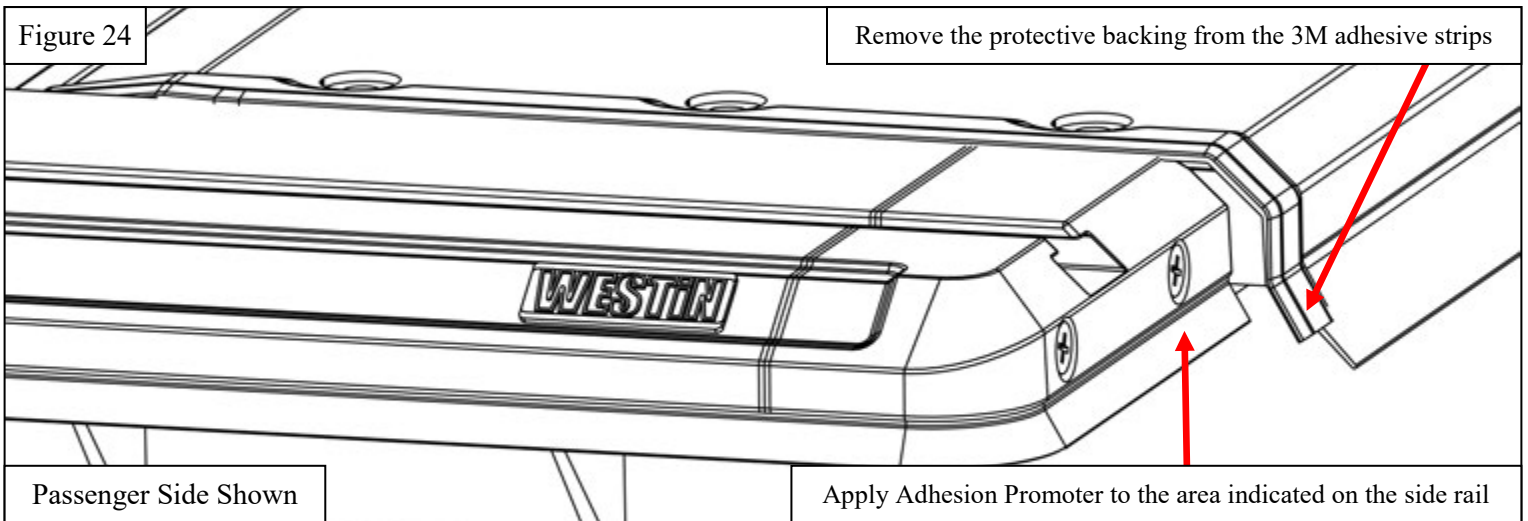
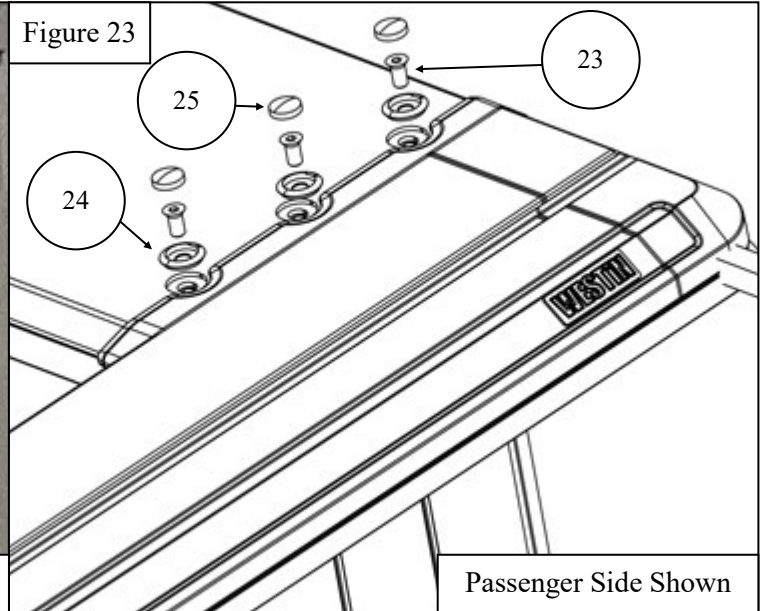
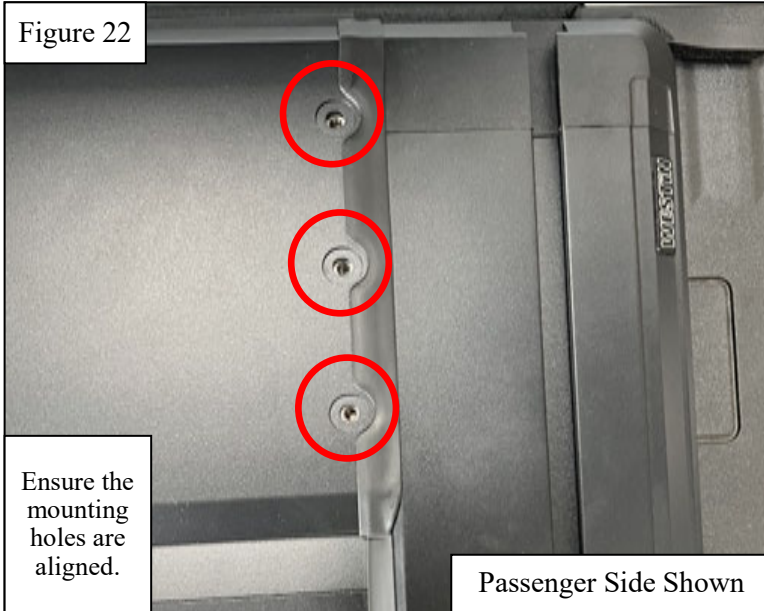
Westin Automotive Products, Inc.
320 W. Covina Blvd
San Dimas, Ca. 91773

Thank you for choosing Westin products
for additional installation assistance please call
Customer Service (800) 793-7846
www.westinautomotive.com

9. Starting on the Passenger Side, line up the rail with the canister and carefully slide it inward into position, ensuring that the ends of the tonneau cover slats are properly inserted into the side rail channel. It may be necessary to lift a portion of the side rail sweep seal so that it stays on top of the cover slats and does not get tucked in. See **Figures 16 & 17**.
10. Check that the side rail is sitting flush on top of the canister, then use 5 M6 Short Torx Combo Bolts (**Item 21**) to install the side rail onto the canister. See **Figures 18-21**.
11. Repeat **Steps 9 and 10** for the Driver Side Rail (**Item 3**).

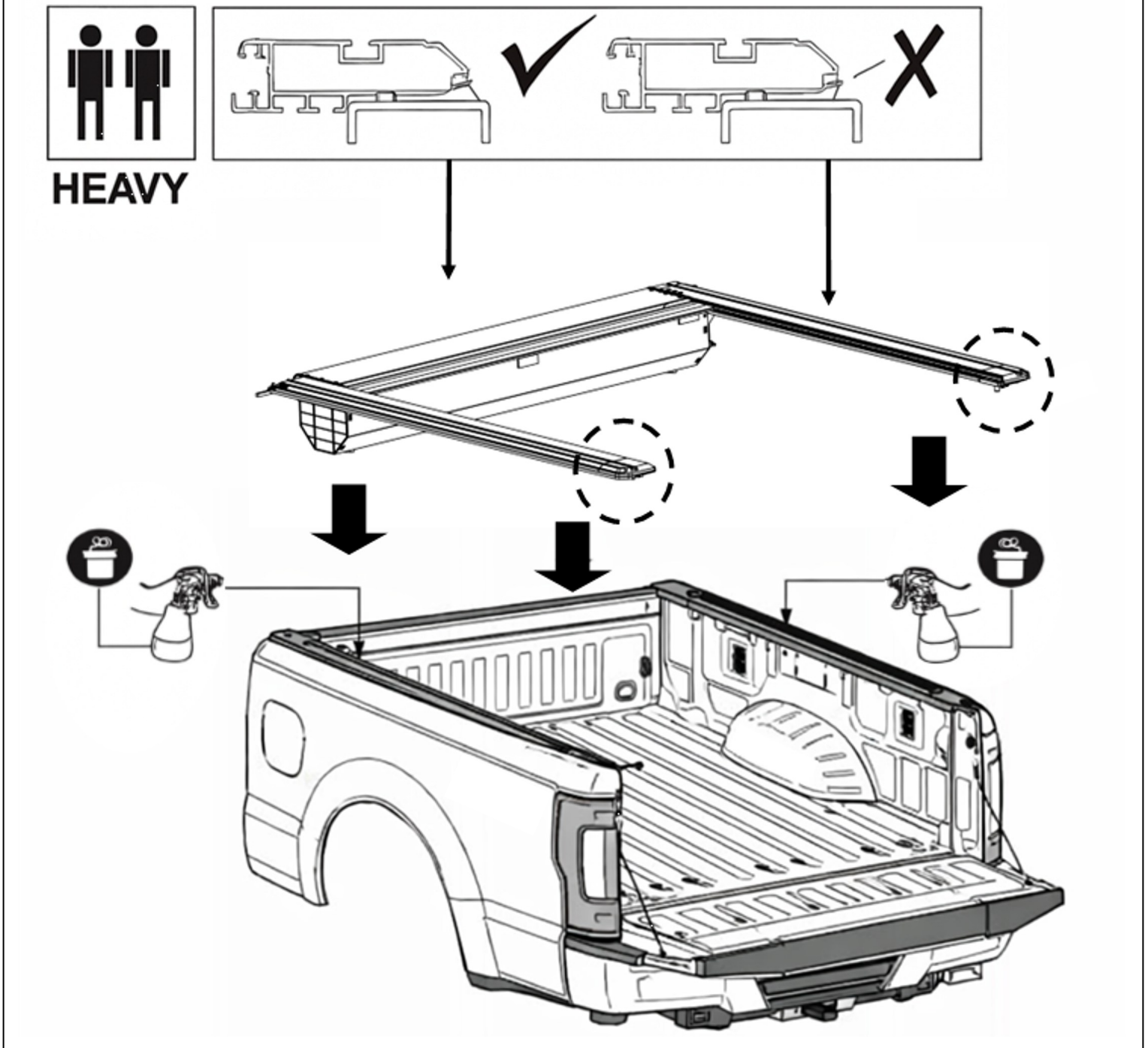


12. Install the Canister Cover Plate (**Item 2**) on top of the canister and ensure the mounting holes align with the mount points on the canister. Place one Plastic Ring (**Item 24**) into each hole on the canister cover plate, then use 6 M5 Countersunk Bolts (**Item 23**) to attach the canister cover plate to the canister. Cover the 6 mounting holes using the provided Plastic Caps (**Item 25**). Use **Figures 22 and 23** as references.
13. Remove the covering over the adhesive strips on the ends of the weather seal and press firmly onto the bottom of the side rails. See **Figure 24**.



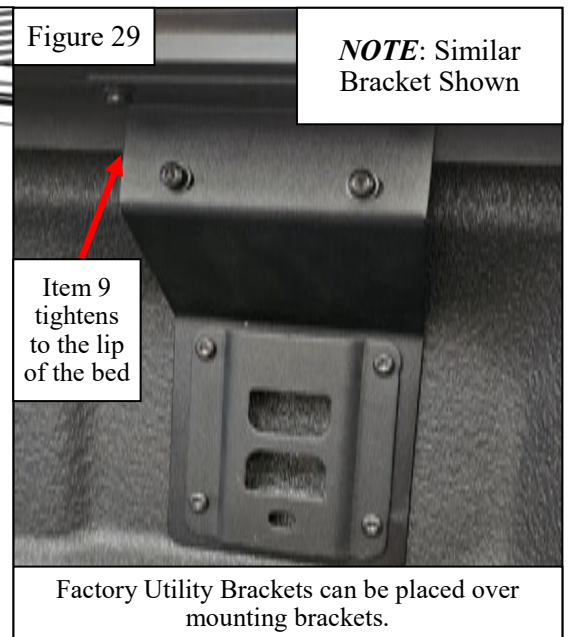
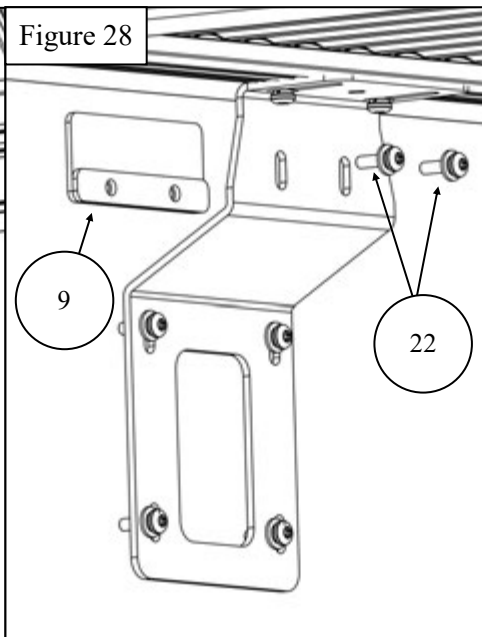
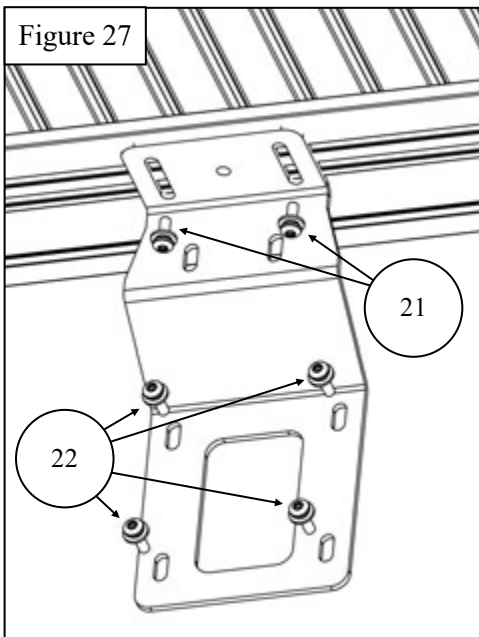
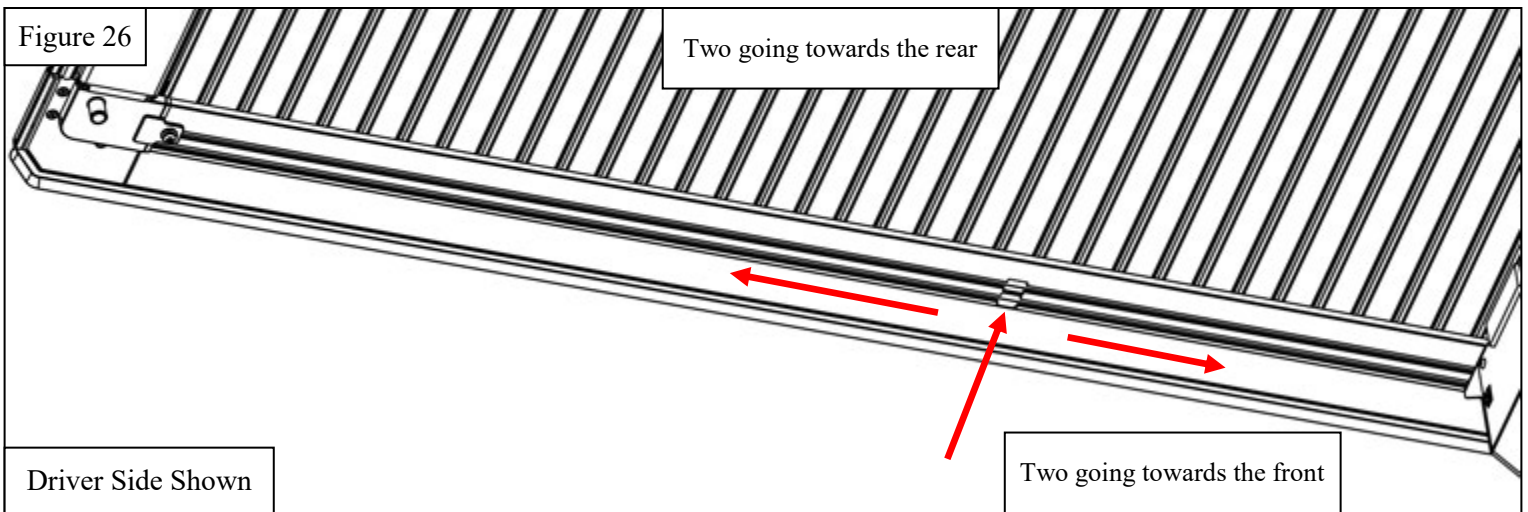
14. With assistance, carefully lift the tonneau cover assembly and place it on top of the truck bed. Do not slide the tonneau cover along the bed surface as this will damage the foam seals. While lifting the cover, position it as far forward as possible. See **Figure 25**.

Figure 25



15. Starting on the Driver Side, insert 4 M6 T-Channel Nut Blocks (**Item 20**) through the channel on the bottom of the driver side rail and position them above the mounting points for the mounting brackets. See **Figure 26**.
16. Install the Driver Front Mounting Bracket and a Rear Mounting Bracket (**Items 6 & 8**) to the corresponding bed mounting points. The factory utility brackets removed in preparation stage at the beginning of the procedure can be reinstalled on top of the tonneau cover mounting brackets at this time. Use 4 M6 Long Torx Combo Bolts (**Item 22**) to attach the mounting brackets to the bed side and 2 M6 Short Torx Combo Bolts (**Item 21**) to attach the mounting brackets to the side rails. The same hardware is used for both the front and rear mounting brackets. See **Figures 27 and 29**.
17. Attach the Double Nut Support Bracket (**Item 9**) to the mounting brackets previously installed using 2 M6 Long Torx Bolts (**Item 22**). See **Figures 28 & 29**.
18. Repeat **Steps 15-17** for the Passenger Side Rail and brackets (**Items 7-9**).

NOTE: Leave all mounting bracket hardware loose.



19. Align the side rails by using the Alignment Bar (**Item 5**). Insert the bar into the channel on the inner side of both side rails. Slide the alignment bar along the channels and check that the distance between the side rails is the same front-to-rear. Shift the ends of the side rails until the optimum position is achieved, then carefully push down on the end of the side rails and tighten the hardware for the rear mounting brackets. Use the alignment bar to double-check the gap between the side rails and measure the distance between the outside of each side rail and the outer edge of the bed to ensure they are positioned centrally. This process may need to be repeated a few times until all measurements are optimal. After this has been completed, proceed to tighten the hardware for the front and center brackets, carefully pushing down on the side rails above each mounting bracket before tightening the hardware. As a final check to make sure the tonneau cover will operate smoothly, it can be manually moved through its full range of motion. Pull the motor clutch lever up to disengage the motor, then carefully pull on the tonneau cover. If it moves easily with no binding/ rough spots, proceed with the rest of the installation. If it is difficult to operate or has rough spots, the side rails will need further adjustment until the tonneau cover operates smoothly. See **Figures 30 & 31**.
20. Tighten all M5 hardware to 4-6 ft-lbs. and M6 hardware to 7-11 ft-lbs.

Figure 30

A=A B=B

Ensure the side rails are even

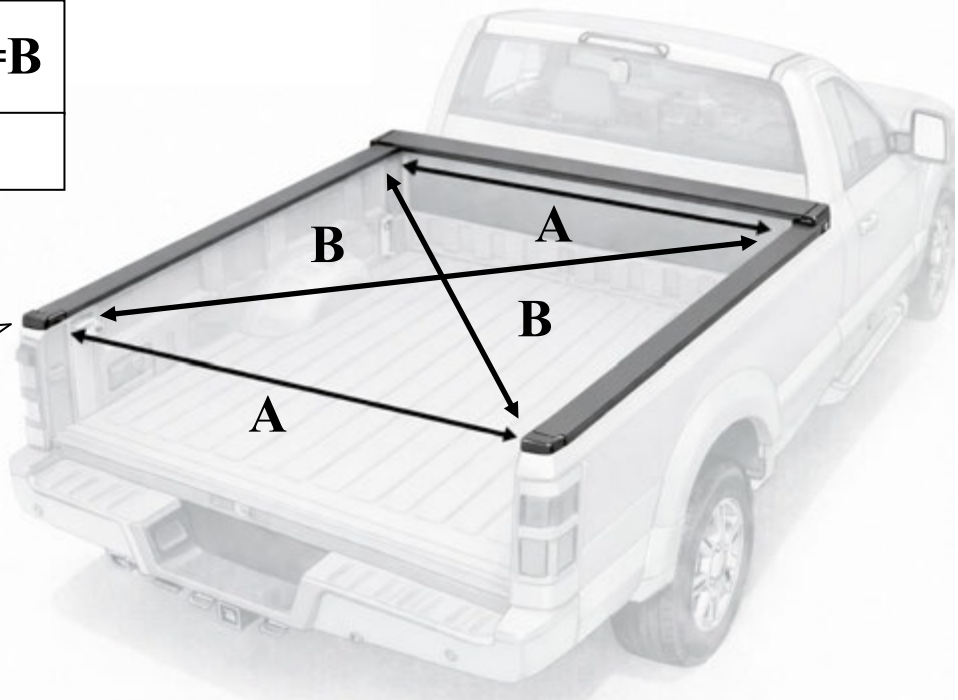
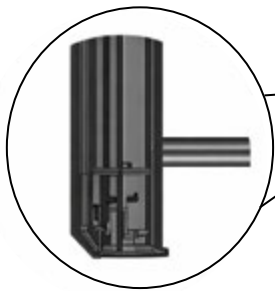
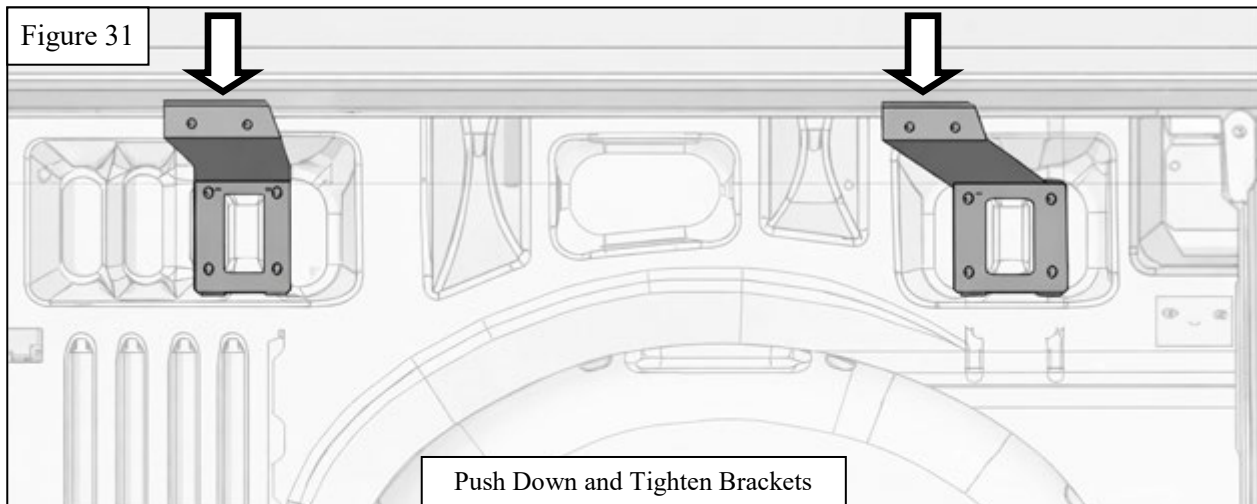
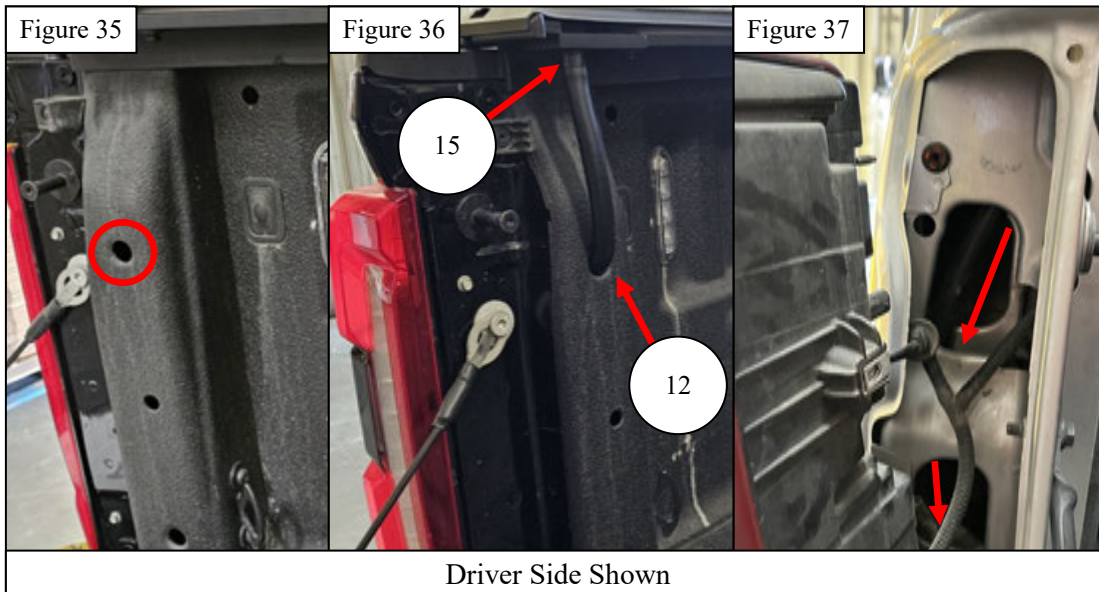
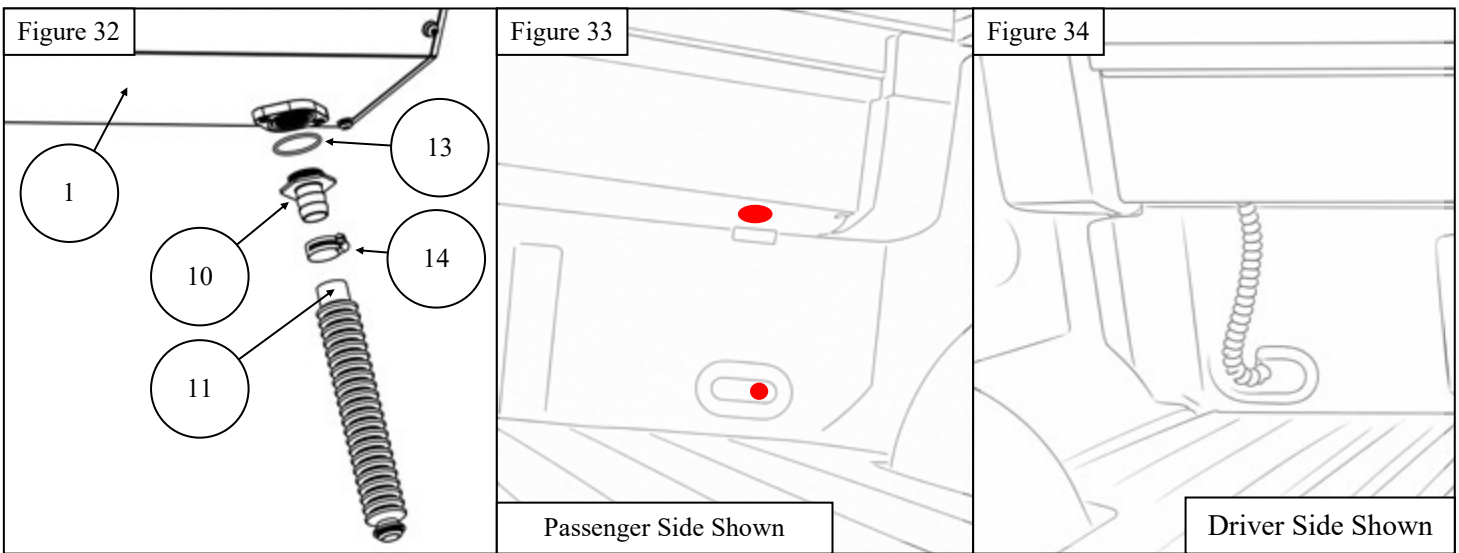


Figure 31



21. Starting on the Driver Side, install the Front Drain Tube Adapter (**Item 10**) onto the Front Drain Tube (**Item 11**) and tighten using the supplied Front Tube Clamp (**Item 14**). Press the Rubber Ring (**Item 13**) into the groove in the canister outlet on the bottom of the canister, then screw the drain tube adapter into the canister outlet. See **Figures 32-34**.
22. Route the end of the Front Drain Tube through the hole that was cut into the front bed wall from **Step 4**. See **Figures 33 & 34**.
23. Slip the ends of the Rear Drain Tube (**Item 12**) with the pre-installed Rear Tube Clamp (**Item 15**) onto the drain outlet at the end of the side rail. See **Figure 35**.
24. Route the bottom of the Rear Drain Tube through the hole near the top of the bed. Tighten the tube clamp until the drain tube is snug on the drain outlet. See **Figure 36**.
25. Remove the tail light housing to route the rear drain tube through the interior where the tail light housing sits. Once the drain tube is routed straight downward, reinstall the tail light housing. See **Figure 37**.
26. Repeat **Steps 21-25** for the Passenger Side.

NOTE: Do not over-tighten the front drain tube adapters, as this may damage the plastic fittings, and do not over-tighten the tube clamps as this may cause damage to the drain outlet.



LOCK & UNLOCK INSTRUCTIONS

27. Swing the pull cord to the left to lock the cover. To unlock, swing the pull cord to the right. See **Figures 38 & 39**.

NOTE: Make sure the pull cord remains horizontal when locking or unlocking the cover. See **Figure 40**.

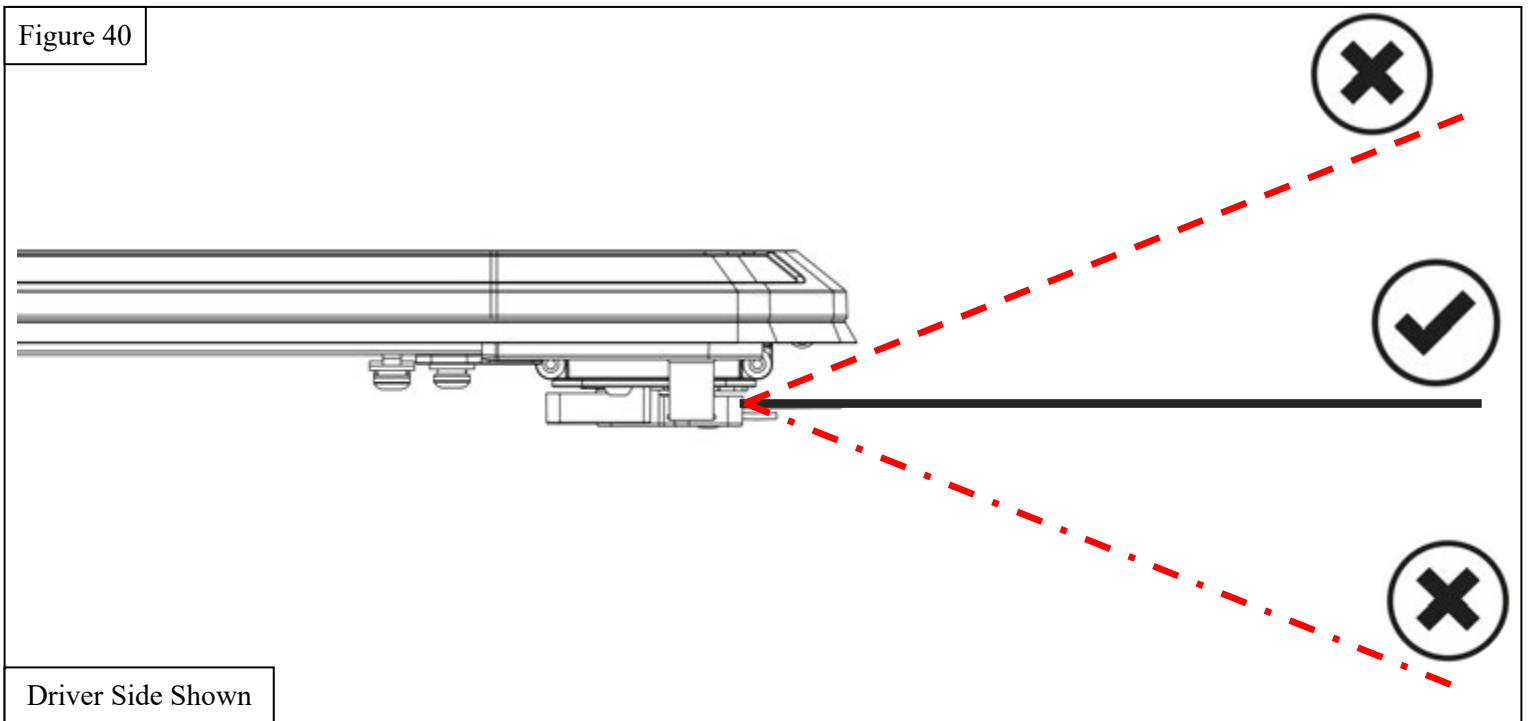
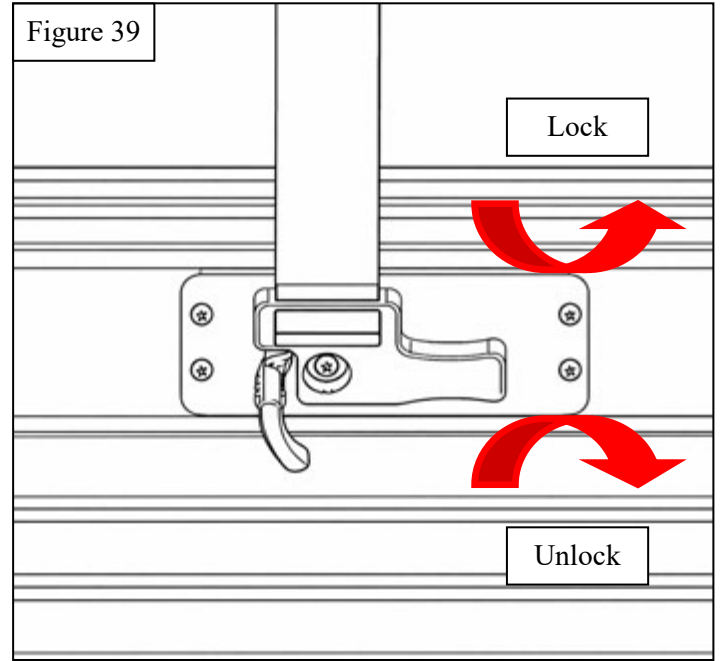
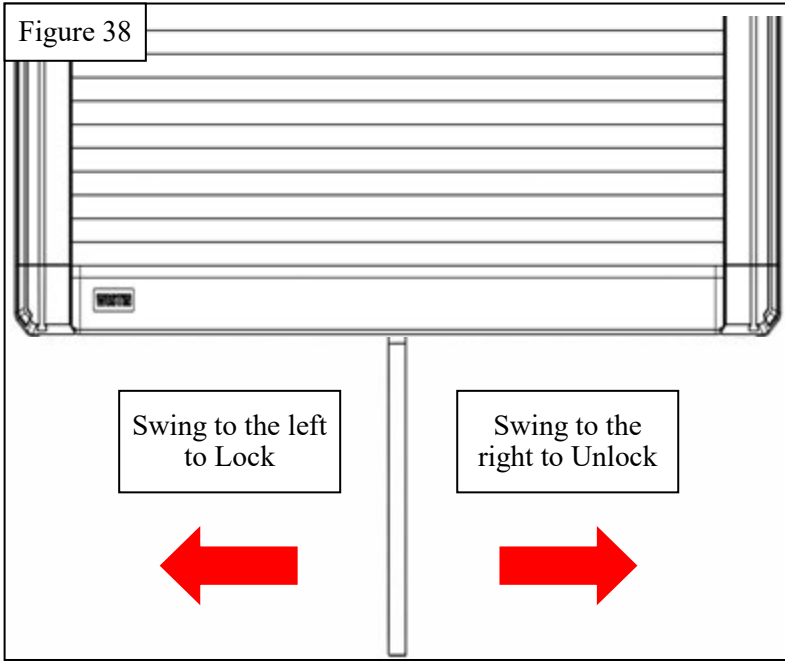
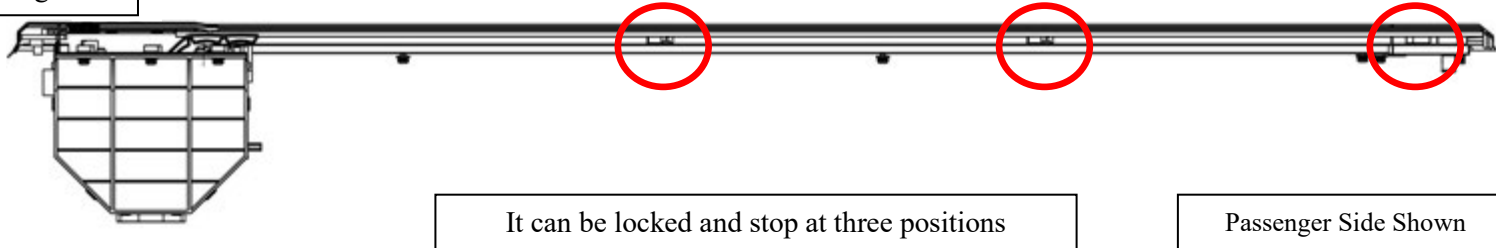


Figure 41



It can be locked and stop at three positions

Passenger Side Shown

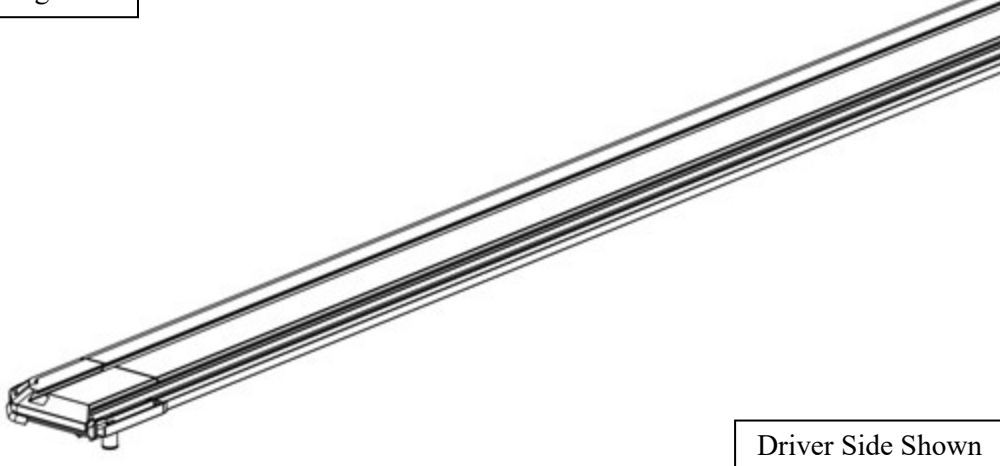
IMPORTANT MAINTENANCE NOTES

28. Grease the inner track of the side rails. See **Figures 42 & 43** as references.

29. To adjust the tightness of the spring, push the worm inward and then rotate it. See **Figures 44 & 45**.

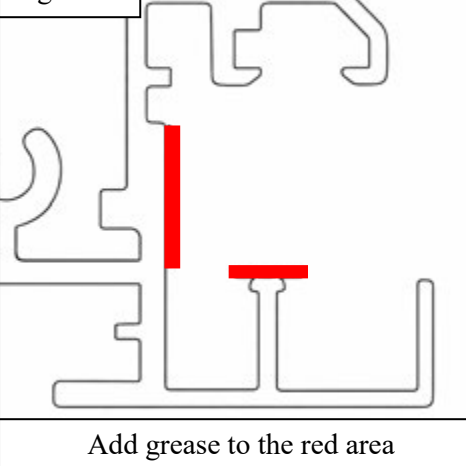
NOTE: These two steps should be carried out every 3 months for product maintenance and calibration. If special circumstances exist, the maintenance and calibration periods can be shortened according to the actual situation to ensure the product is always in the optimal working condition.

Figure 42



Driver Side Shown

Figure 43



Add grease to the red area

Figure 44

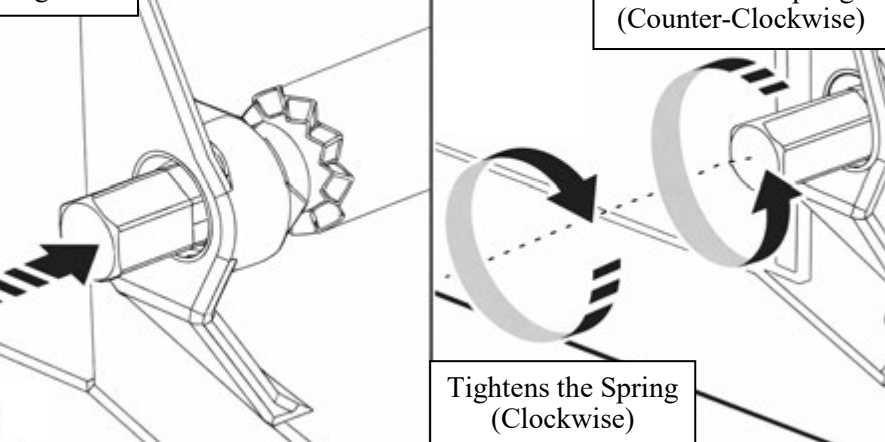
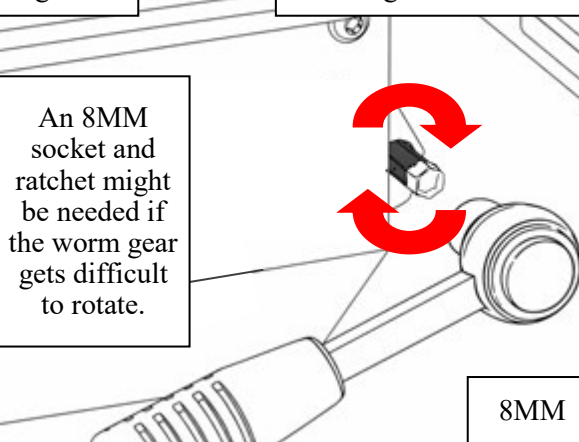


Figure 45



Passenger Side Shown

An 8MM socket and ratchet might be needed if the worm gear gets difficult to rotate.

8MM

INSTALLATION COMPLETE



CARE INSTRUCTIONS

- TEXTURE BLACK FINISHES SHOULD BE CLEANED WITH MILD SOAP AND WATER ONLY (DO NOT WAX).
- GLOSS BLACK FINISHES SHOULD BE CLEANED WITH MILD SOAP AND WATER.
- POLISHED STAINLESS PRODUCTS SHOULD BE CLEANED WITH MILD SOAP AND WATER. STAINLESS STEEL POLISH MAY BE USED TO REMOVE SMALL SCRATCHES.
- REGULAR WAXING IS RECOMMENDED FOR GLOSS BLACK AND STAINLESS STEEL PRODUCTS. DO NOT USE WAX THAT MAY CONTAIN ABRASIVES.



WARNING



Failure to follow these instructions could lead to death, personal injury, and / or property damage.

FASTENERS:

All Westin supplied fasteners must be utilized and installed in accordance with the installation instructions and apply torque to the specifications as defined. **DOUBLE CHECK ALL FASTENERS BEFORE INITIAL USE, AND PERIODICALLY IN THE FUTURE TO ENSURE PROPER FUNCTION AND SAFETY.**

DRILLING:

Most Westin products do not require drilling for installation. If drilling is defined as required, use caution when drilling a vehicle. **FAILURE TO REVIEW AN AREA TO BE DRILLED MAY RESULT IN PERSONAL INJURY AND/OR INJURY TO OTHERS AS WELL AS VEHICLE DAMAGE.**

EYE PROTECTION:

ALWAYS WEAR SAFETY GLASSES OR GOGGLES DURING THE INSTALLATION PROCESS TO AVOID PERSONAL INJURY.

MAXIMUM TOWING/CARRYING CAPACITY: (if applicable)

The Westin Receiver Hitches will have a visible tow rating label affixed directly on the product. User should never exceed the vehicle manufacturers maximum tow and weight rating regardless of the capacity of the hitch. **FAILURE TO FOLLOW THESE GUIDELINES WILL VOID THE WESTIN WARRANTY AND MAY RESULT IN PERSONAL INJURY AND/OR INJURY TO OTHERS AS WELL AS VEHICLE DAMAGE.**

FOR CALIFORNIA RESIDENTS ONLY-PROP 65 WARNING:

Some products may contain chemicals such as DEHP, which can cause cancer, birth defects or other reproductive harm. For more info go to www.p65warnings.ca.gov



Westin Automotive Products, Inc.
320 W. Covina Blvd
San Dimas, Ca. 91773