

# INSTALLATION INSTRUCTIONS



Side Ladder Mesa Roof Rack

APPLICATION:

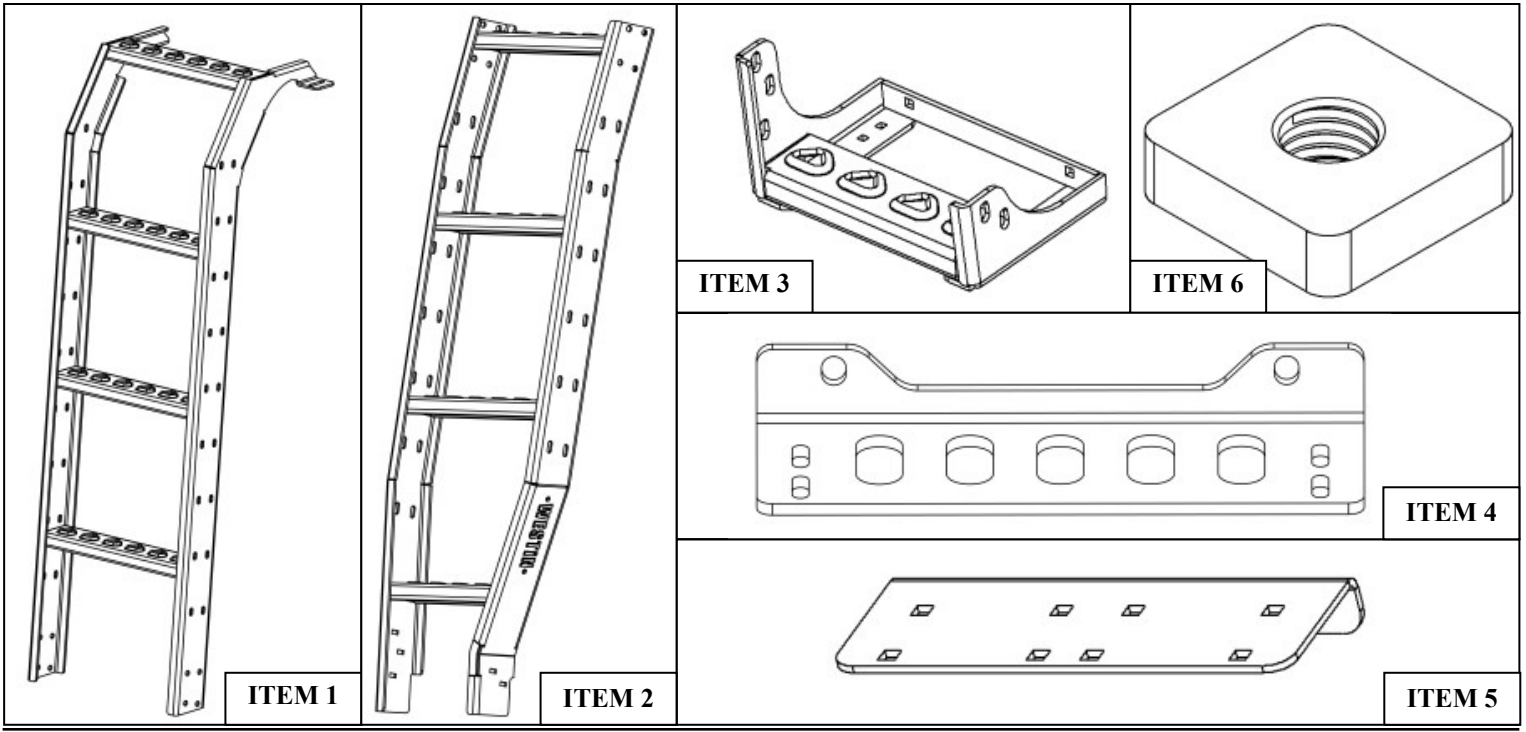
2019-2023 Mercedes-Benz Sprinter High Roof

PART NUMBER:

15-00035

CONTENT			
ITEM	QUANTITY	DESCRIPTION	TOOLS NEEDED
1	1	TOP LADDER	RATCHET
2	1	BOTTOM LADDER	TORQUE WRENCH
3	1	STEP MOUNT	10MM SOCKET
4	1	STEP MOUNT BOTTOM BRACKET	10MM WRENCH
5	2	LINK BRACKETS	13MM SOCKET
6	2	M8 SQUARE NUT PLATE	13MM WRENCH
7	27	M6 SQUARE NECK CARRIAGE BOLT	DRILL
8	27	M6 SERRATE FLANGE HEX NUT	DRILL BITS
9	2	M8 BUTTON HEAD SCREW	ALLEN WRENCH
10	2	M8 FLAT WASHER	
11	2	M8 SPLIT LOCK WASHER	

**ANTI-SEIZE LUBRICANT MUST BE USED ON ALL STAINLESS STEEL FASTENERS TO PREVENT THREAD DAMAGE AND GALLING**



**WESTIN** Westin Automotive Products, Inc.  
320 W. Covina Blvd  
San Dimas, Ca. 91773

Thank you for choosing Westin products  
for additional installation assistance please call  
Customer Service (800) 793-7846

[www.westinautomotive.com](http://www.westinautomotive.com)

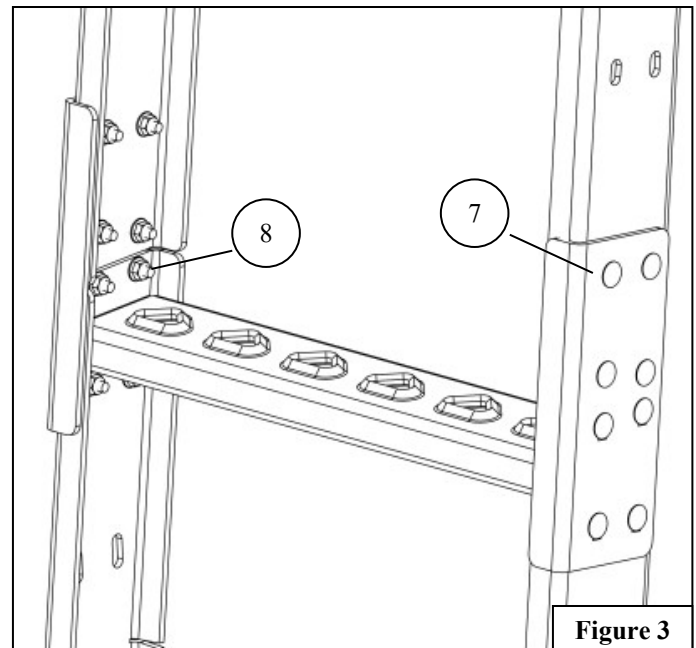
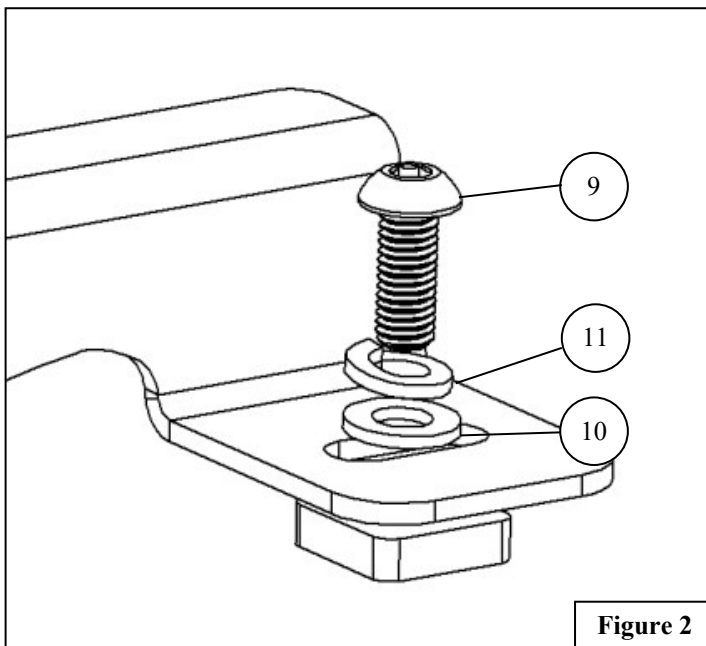
DATE: 03/28/23

## PROCEDURE

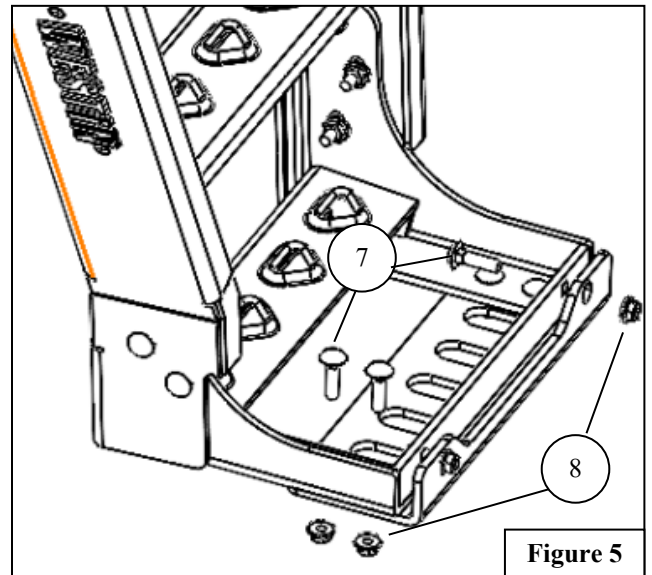
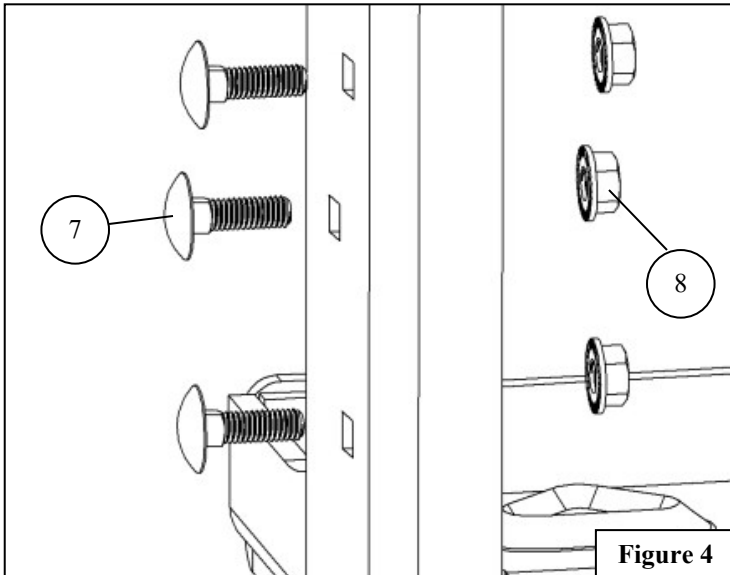
1. Remove contents from box, verify if all parts listed are present and free from damage.  
Carefully read and understand all instructions before attempting installation.  
**Failure to identify damage before installation could lead to a rejection of any claim.**

**NOTE:** To be installed on vehicle with roof rails only. Vans with driver sliding door will have a limited opening of 23 in. max.

2. Locate the two M8 Square Nut Plate (**Item 6**) and slide the item through the driver's side roof rail. See **Figure 1** for reference. **Note:** If Mesa Roof Rack (PN 15-00025) is installed, loosen the M8 Square Nut Plate and push the item using a flat head to make installation easier.
3. Loosely attach the Top Ladder (**Item 1**) using the M8 hardware (**Items 9-11**) provided. See **Figure 2** for reference. **Note:** If Mesa Roof Rack (PN 15-00025) is installed, insert the Top Ladder at an angle to be able to fit it in.
4. Using the provided M6 Square Neck Carriage Bolt and Serrate Flange Hex Nut (**Item 7 & 8**) loosely attach the Top Ladder (**Item 1**) and the Bottom Ladder (**Item 2**) with the Link Bracket (**Item 5**) provided. See **Figure 3** for reference.



5. Using M6 Square Neck Carriage Bolt and Serrate Flange Hex Nut (**Item 7 & 8**) loosely attach the Step Mount (**Item 3**) to the Bottom Ladder. See **Figure 4** for reference.
6. Before installing the Step Mount Bottom Bracket (**Item 4**), use the Step Mount (Item 3) as a guide to mark the location to drill through the pinch weld. Then drill 1/4" hole in the pinch weld.
7. Use the Square Neck Carriage Bolt and Serrate Flange Hex Nut (**Item 7 & 8**) to loosely attach the Step Mount Bottom Bracket to the Step Mount. See **Figure 5** for reference.
8. Use the Square Neck Carriage Bolt and Serrate Flange Hex Nut (**Item 7 & 8**) to loosely attach the Step Mount Bottom Bracket and Step Mount through the pinch weld. See **Figures 5 & 6** for reference.
9. Align and adjust the Side Ladder Mesa Roof Rack and mounting brackets as necessary. Fully tighten and torque all hardware as specified: M8 hardware to 15-18 ft-lbs. & M6 hardware to 5-7 ft-lbs.



## INSTALLATION COMPLETE



### CARE INSTRUCTIONS

- REGULAR WAXING IS RECOMMENDED. DO NOT USE ANY TYPE OF POLISH OR WAX THAT MAY CONTAIN ABRASIVES.
- STAINLESS STEEL PRODUCTS CAN BE CLEANED WITH MILD SOAP AND WATER. STAINLESS STEEL POLISH SHOULD BE USED TO POLISH SMALL SCRATCHES.
- GLOSS BLACK FINISHES SHOULD BE CLEANED WITH MILD SOAP AND WATER.

**WESTIN**

Westin Automotive Products, Inc.  
320 W. Covina Blvd  
San Dimas, Ca. 91773

Thank you for choosing Westin products  
for additional installation assistance please call  
Customer Service (800) 793-7846  
[www.westinautomotive.com](http://www.westinautomotive.com)



## WARNING



Failure to follow these instructions could lead to death, personal injury, and / or property damage.

Failure to follow these instructions could lead to death, personal injury, and / or property damage.

### FASTENERS:

All Westin supplied fasteners must be utilized and installed in accordance with the installation instructions and apply torque to the specifications as defined. **DOUBLE CHECK ALL FASTENERS BEFORE INITIAL USE, AND PERIODICALLY IN THE FUTURE TO ENSURE PROPER FUNCTION AND SAFETY.**

### DRILLING:

Most Westin products do not require drilling for installation. If drilling is defined as required, use caution when drilling a vehicle. **FAILURE TO REVIEW AN AREA TO BE DRILLED MAY RESULT IN PERSONAL INJURY AND/OR INJURY TO OTHERS AS WELL AS VEHICLE DAMAGE.**

### EYE PROTECTION:

**ALWAYS WEAR SAFETY GLASSES OR GOGGLES DURING THE INSTALLATION PROCESS TO AVOID PERSONAL INJURY.**

### MAXIMUM TOWING/CARRYING CAPACITY: (if applicable)

The Westin Receiver Hitches will have a visible tow rating label affixed directly on the product. User should never exceed the vehicle manufacturers maximum tow and weight rating regardless of the capacity of the hitch. **FAILURE TO FOLLOW THESE GUIDELINES WILL VOID THE WESTIN WARRANTY AND MAY RESULT IN PERSONAL INJURY AND/OR INJURY TO OTHERS AS WELL AS VEHICLE DAMAGE.**

### FOR CALIFORNIA RESIDENTS ONLY-PROP 65 WARNING:

Some products may contain chemicals such as DEHP, which can cause cancer, birth defects or other reproductive harm. For more info go to [www.p65warnings.ca.gov](http://www.p65warnings.ca.gov)



Westin Automotive Products, Inc.  
320 W. Covina Blvd  
San Dimas, Ca. 91773