

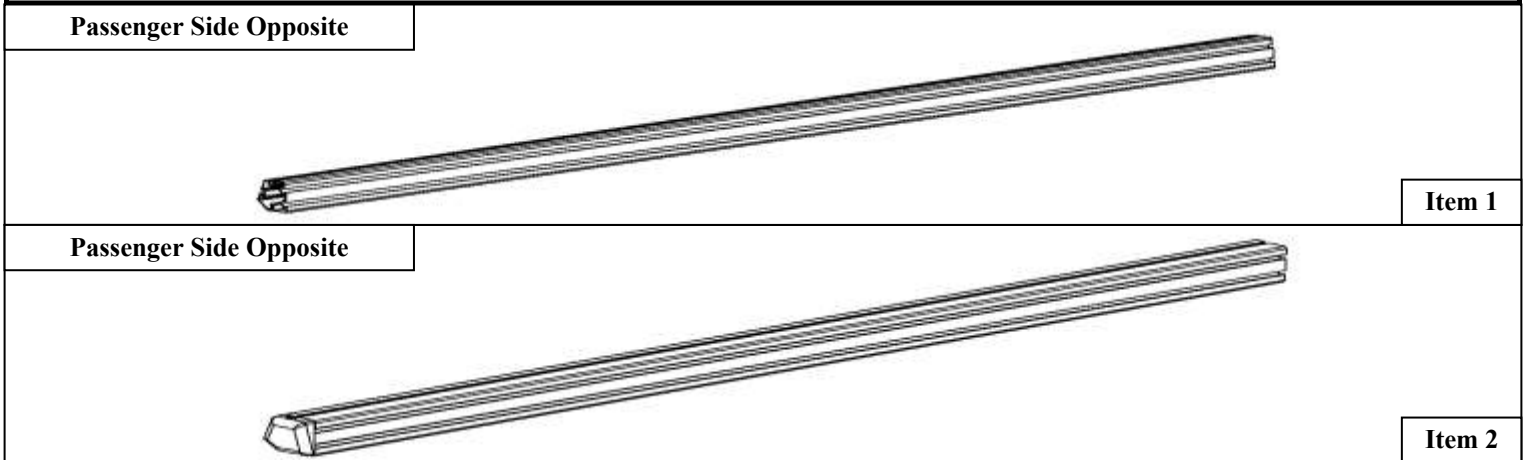
INSTALLATION INSTRUCTIONS

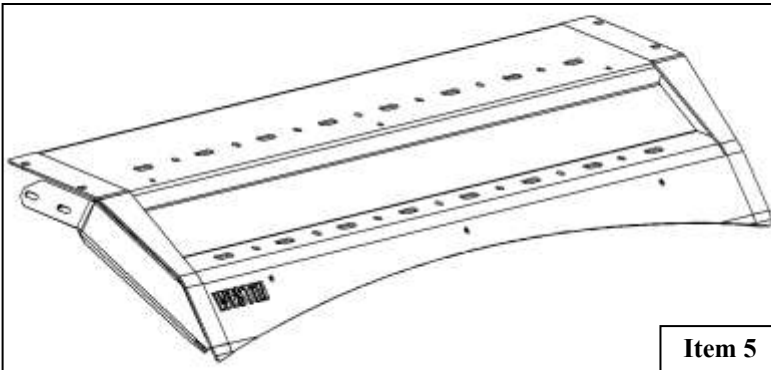


Mesa Roof Rack
APPLICATION:
 2019-2023 Mercedes-Benz Sprinter Van 144" Wheel Base
PART NUMBER:
 15-00025

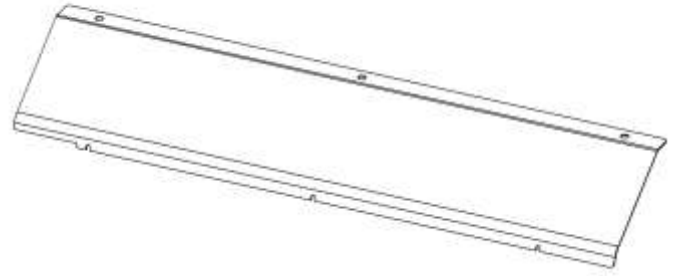
CONTENT			
ITEM	QUANTITY	DESCRIPTION	TOOLS NEEDED
1	1	DRIVER SIDE FRONT RACK RAIL	RATCHET
2	1	DRIVER SIDE REAR RACK RAIL	10MM SOCKET
3	1	PASSENGER SIDE FRONT RACK RAIL	10MM WRENCH
4	1	PASSENGER SIDE REAR RACK RAIL	ALLEN WRENCH
5	1	VISOR	
6	1	VISOR COVER PLATE	
7	7	CROSS BAR RAILS	
8	14	CROSS RAIL BRACKET	
9	2	FRONT RAIL SUPPORT BRACKET	
10	6	RAIL SUPPORT BRACKET	
11	2	RAIL SUPPORT LINK BRACKET	
12	2	RAIL LINK BRACKET	
13	20	M8 SQUARE NUT PLATE	
14	118	M6 SLIDE NUTS	
15	124	M6 BUTTON HEAD SCREW	
16	124	M6 SPLIT LOCK WASHER	
17	124	M6 FLAT WASHER	
18	6	M6 FLANGE HEX NUT	
19	20	M8 BUTTON HEAD SCREW	
20	20	M8 FLAT WASHER	
21	20	M8 SPLIT WASHER	

ANTI-SEIZE LUBRICANT MUST BE USED ON ALL STAINLESS STEEL FASTENERS TO PREVENT THREAD DAMAGE AND GALLING





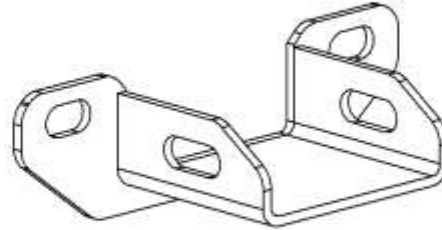
Item 5



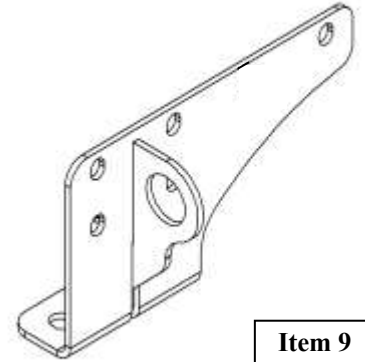
Item 6



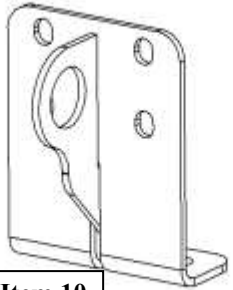
Item 7



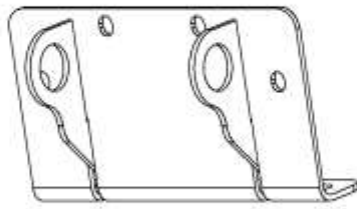
Item 8



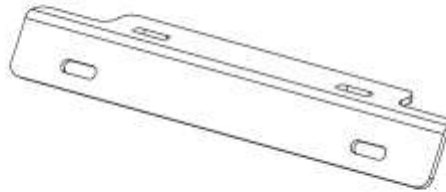
Item 9



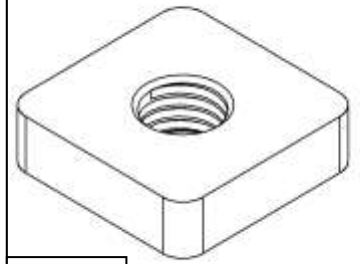
Item 10



Item 11



Item 12



Item 13

PROCEDURE

1. Remove contents from box, verify if all parts listed are present and free from damage. Carefully read and understand all instructions before attempting installation. **Failure to identify damage before installation could lead to a rejection of any claim.**
2. Locate and slide **10x M8 Square Nut Plates (Item 13)** through the Driver and Passenger side roof rail spaced evenly in groups of two's.
3. Using the M8 Hardware (**Items 19-21**) provided, loosely secure **1x Front Rail Support Brackets (Item 9)**, **3x Rail Support Bracket (Item 10)**, & **1x Rail Support Link Bracket (Item 11)** on both the Driver and Passenger side. See **Figure 1, 2, 6 & 7** for reference. **Note:** Make sure the Front Rail Support Brackets (**Item 9**) is placed furthest to the front of the roof rail.

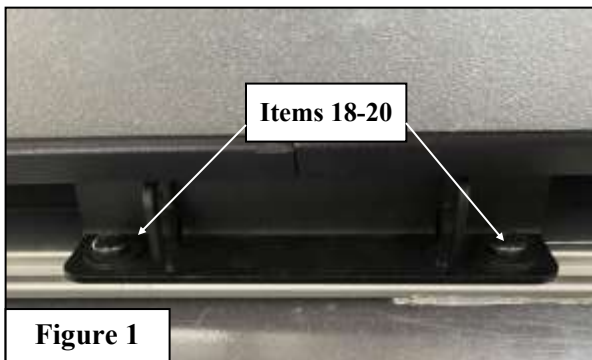


Figure 1

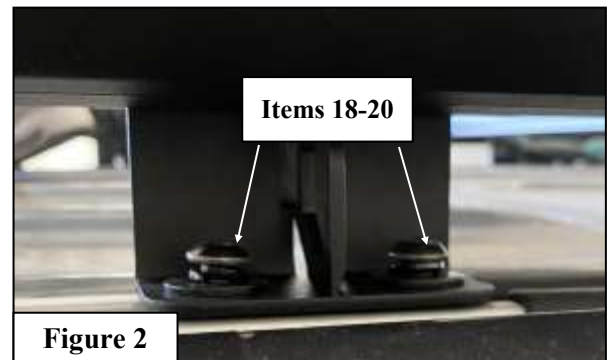


Figure 2



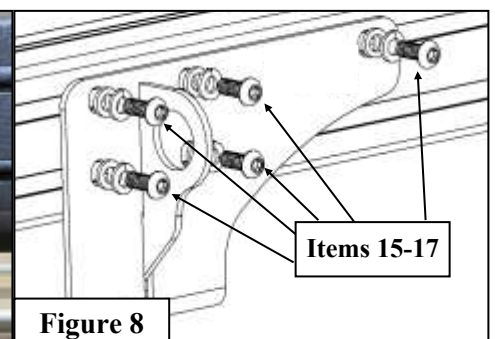
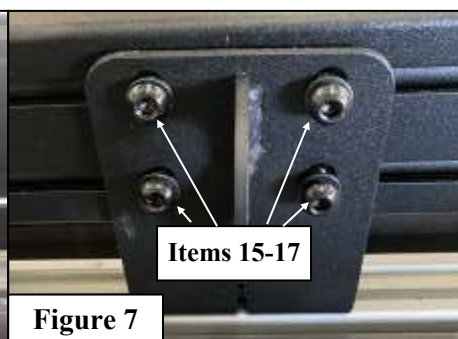
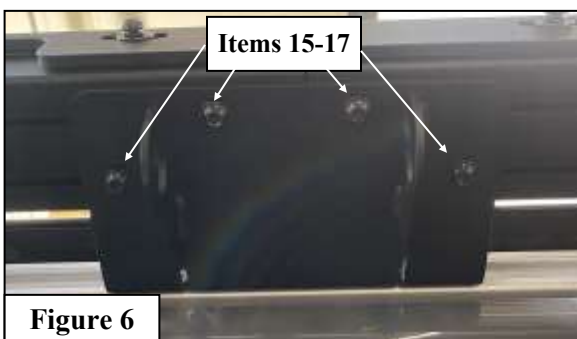
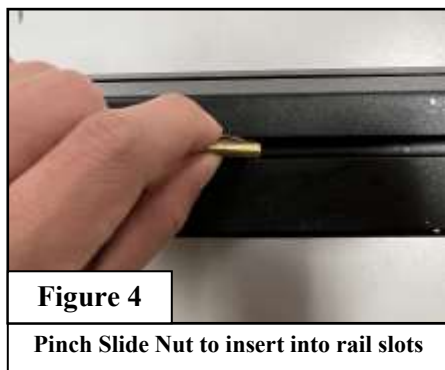
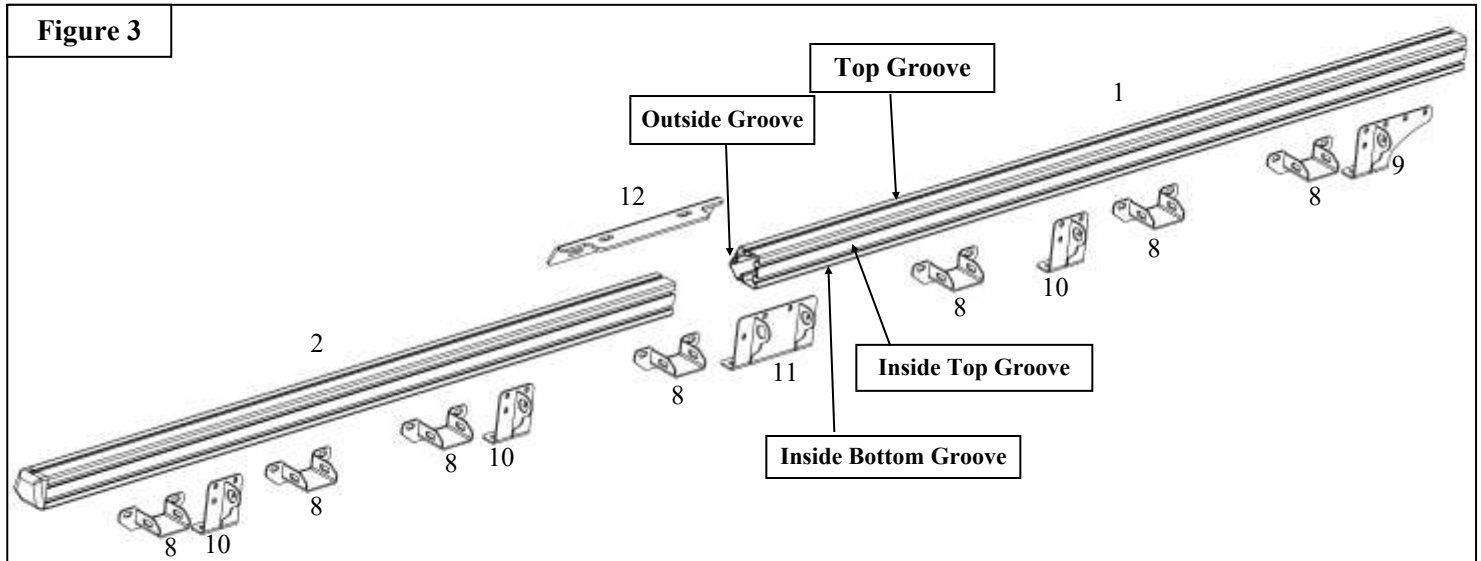
Westin Automotive Products, Inc.
320 W. Covina Blvd
San Dimas, Ca. 91773

Thank you for choosing Westin products
for additional installation assistance please call
Customer Service (800) 793-7846

www.westinautomotive.com

DATE: 11/02/22

4. The Driver Side Front Roof Rail (**Item 1**) contains grooves in which the M6 Slide Nuts (**Item 14**) can slide into. The outside and top groove of the Driver Side Roof Rail requires **3x** M6 Slide Nuts. The inside of the Driver Side Front Roof Rail has a top and bottom groove. The top groove will require **13x** M6 Slide Nuts and the bottom will require **7x** M6 Slide Nuts. Space the slide nuts accordingly to align with the bracket's hole. See **Figures 3-5** for reference.
5. The Driver Side Rear Roof Rail (**Item 2**) which carry the same grooves needs **1x** M6 Slide Nut on the outside and top groove. The inside of the Driver Side Rear Roof Rail will require **13x** M6 Slide Nuts on the top groove and **5x** M6 Slide Nuts on the bottom groove.
6. Apply the same amount of M6 Slide Nuts (**Item 14**) for the Passenger Side Front Roof Rail (**Item 3**) and Passenger Side Rear Roof Rail (**Item 4**).
7. Using the M6 Hardware (**Items 15-17**) loosely secure the Driver and Passenger Roof Rail to the Front Rail Support Bracket, Rail Support Bracket, and Rail Support Link Bracket. See **Figure 6, 7, & 8** for reference.



8. Loosely secure the Rail Link Bracket (**Item 12**) on the outside of the Front and Rear Roof Rails using the M6 Hardware (**Item 15-17**) provided. See **Figure 9** for reference.
9. Loosely secure 3x Cross Rail Brackets (**Item 8**) on the Driver Side Front Roof Rail and 4x Cross Rail Brackets (**Item 8**) on the Driver Side Rear Roof Rail. See **Figure 10** for reference.
10. Apply the same amount of Cross Rail Brackets for the Passenger Side Front Roof Rail and Passenger Side Rear Roof Rail.



Figure 9

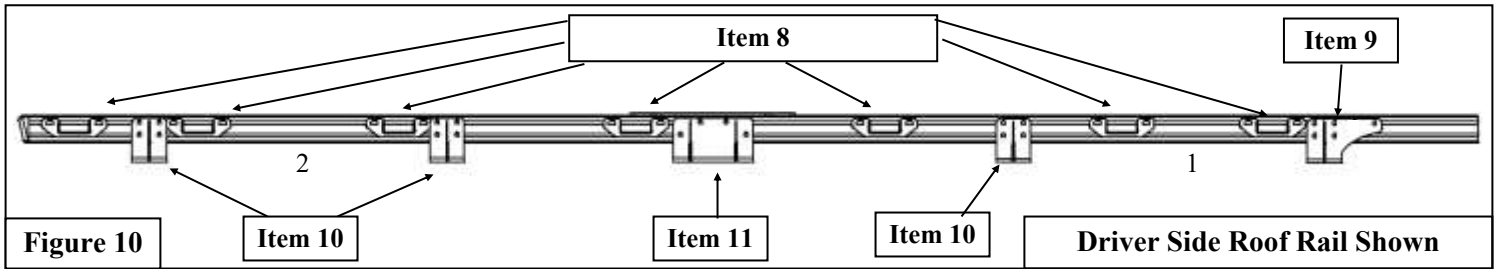


Figure 10

11. Slide 2x M6 Slide Nuts on the left and right side of the grooves on the Cross Bar Rails (**Item 7**).
12. Using the M6 Hardware (**Items 15-17**) loosely secure the Cross Bar Rails (**Item 7**) to the Cross Bar Brackets (**Item 8**). See **Figure 11** for reference.
13. Locate the Visor (**Item 5**) and using the M6 Hardware (**Item 15-17**) Loosely secure it to the front of the roof rack. See **Figure 12 & 13** for reference.

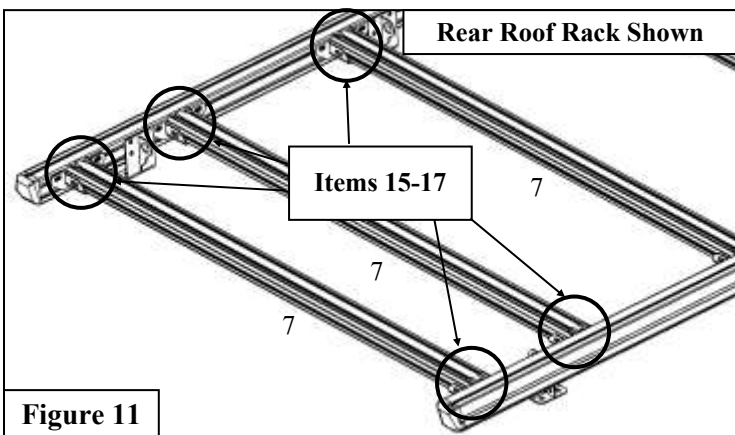


Figure 11

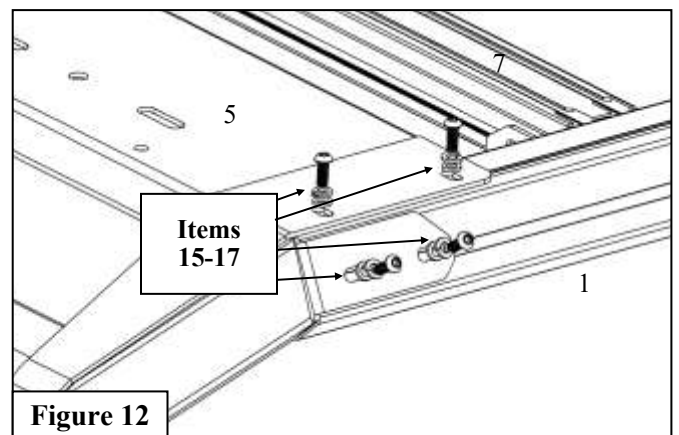


Figure 12

14. Loosely secure the Visor Cover Plate (**Item 6**) to the Visor using the Provided M6 Hardware (**Item 15, 17, & 18**). See **Figure 14** for reference. **NOTE:** *If you are installing lights onto the Visor, the Visor cover plate will not be needed.*
15. Align and adjust the Mesa Roof Rack and mounting bracket as necessary. Fully tighten and torque all hardware as specified: M8 hardware to 15-18 ft-lbs. & M6 hardware to 5-7 ft-lbs.

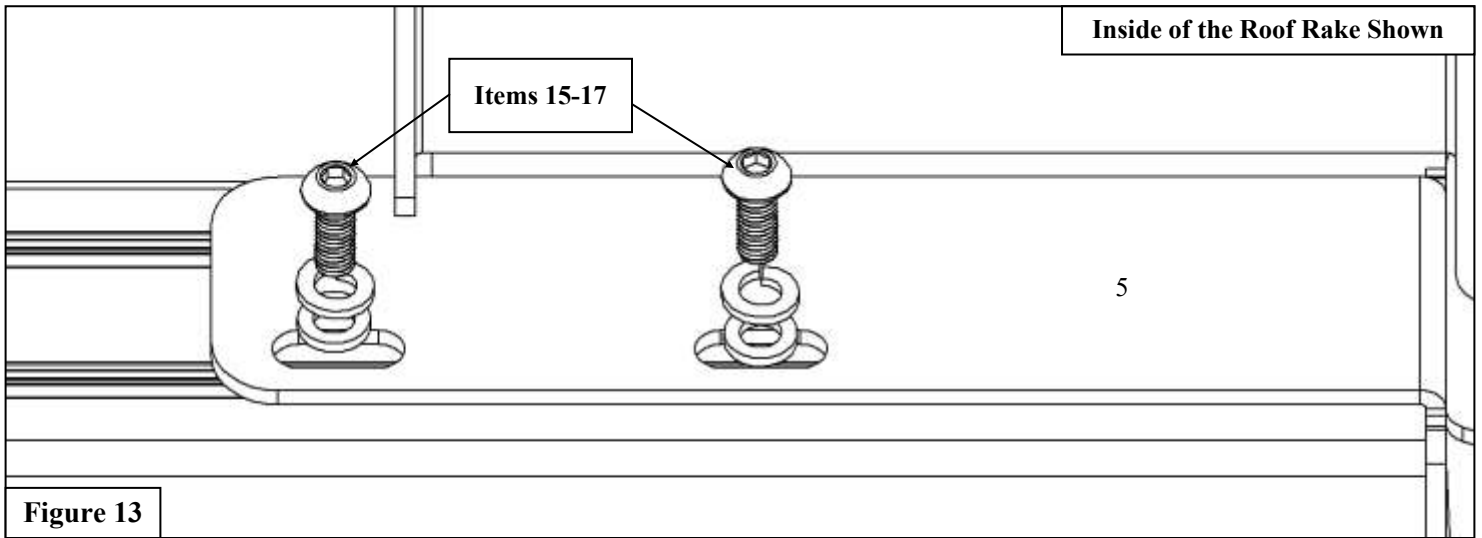


Figure 13

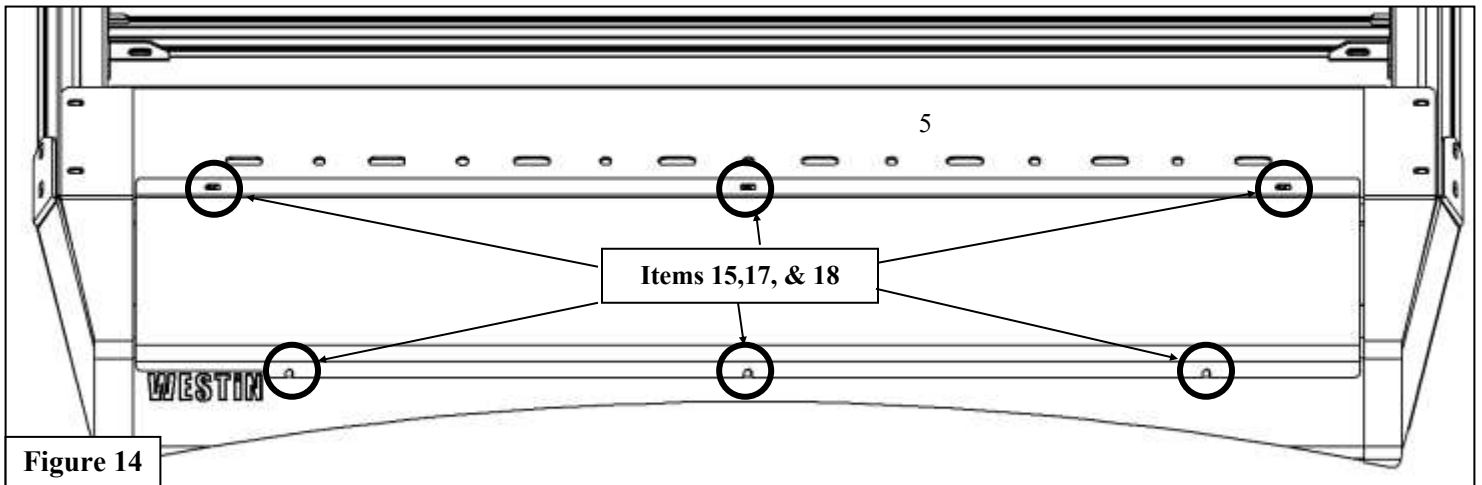


Figure 14

INSTALLATION COMPLETE



CARE INSTRUCTIONS

- REGULAR WAXING IS RECOMMENDED. DO NOT USE ANY TYPE OF POLISH OR WAX THAT MAY CONTAIN ABRASIVES.
- STAINLESS STEEL PRODUCTS CAN BE CLEANED WITH MILD SOAP AND WATER. STAINLESS STEEL POLISH SHOULD BE USED TO POLISH SMALL SCRATCHES.
- GLOSS BLACK FINISHES SHOULD BE CLEANED WITH MILD SOAP AND WATER.

WESTIN

Westin Automotive Products, Inc.
320 W. Covina Blvd
San Dimas, Ca. 91773

Thank you for choosing Westin products
for additional installation assistance please call
Customer Service (800) 793-7846

www.westinautomotive.com



WARNING



Failure to follow these instructions could lead to death, personal injury, and / or property damage.

Failure to follow these instructions could lead to death, personal injury, and / or property damage.

FASTENERS:

All Westin supplied fasteners must be utilized and installed in accordance with the installation instructions and apply torque to the specifications as defined. **DOUBLE CHECK ALL FASTENERS BEFORE INITIAL USE, AND PERIODICALLY IN THE FUTURE TO ENSURE PROPER FUNCTION AND SAFETY.**

DRILLING:

Most Westin products do not require drilling for installation. If drilling is defined as required, use caution when drilling a vehicle. **FAILURE TO REVIEW AN AREA TO BE DRILLED MAY RESULT IN PERSONAL INJURY AND/OR INJURY TO OTHERS AS WELL AS VEHICLE DAMAGE.**

EYE PROTECTION:

ALWAYS WEAR SAFETY GLASSES OR GOGGLES DURING THE INSTALLATION PROCESS TO AVOID PERSONAL INJURY.

MAXIMUM TOWING/CARRYING CAPACITY: (if applicable)

The Westin Receiver Hitches will have a visible tow rating label affixed directly on the product. User should never exceed the vehicle manufacturers maximum tow and weight rating regardless of the capacity of the hitch. **FAILURE TO FOLLOW THESE GUIDELINES WILL VOID THE WESTIN WARRANTY AND MAY RESULT IN PERSONAL INJURY AND/OR INJURY TO OTHERS AS WELL AS VEHICLE DAMAGE.**

FOR CALIFORNIA RESIDENTS ONLY-PROP 65 WARNING:

Some products may contain chemicals such as DEHP, which can cause cancer, birth defects or other reproductive harm. For more info go to www.p65warnings.ca.gov



Westin Automotive Products, Inc.
320 W. Covina Blvd
San Dimas, Ca. 91773