

INSTALLATION INSTRUCTIONS

DASH PHONE MOUNT BASE



APPLICATION: 2024 Chevy Silverado 2500/3500 with 13.4" Screen

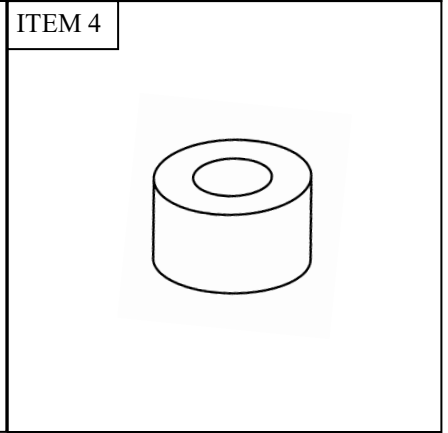
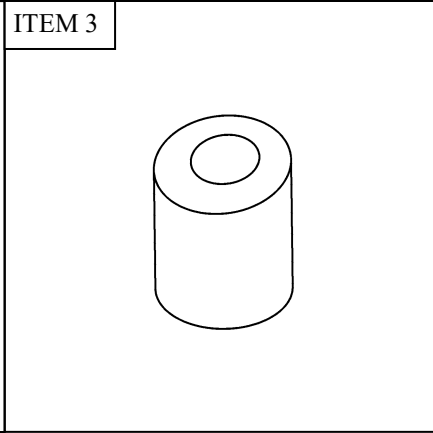
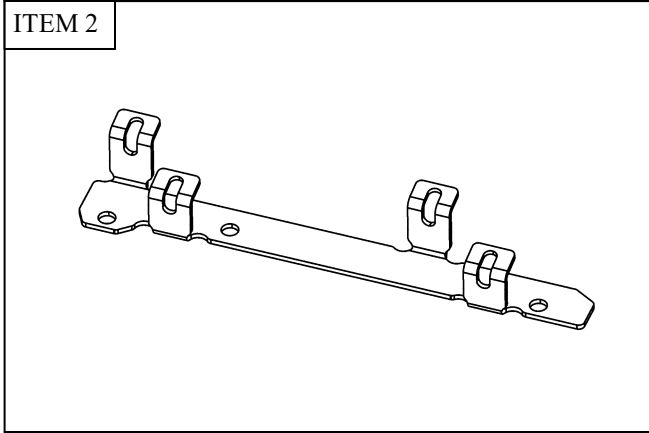
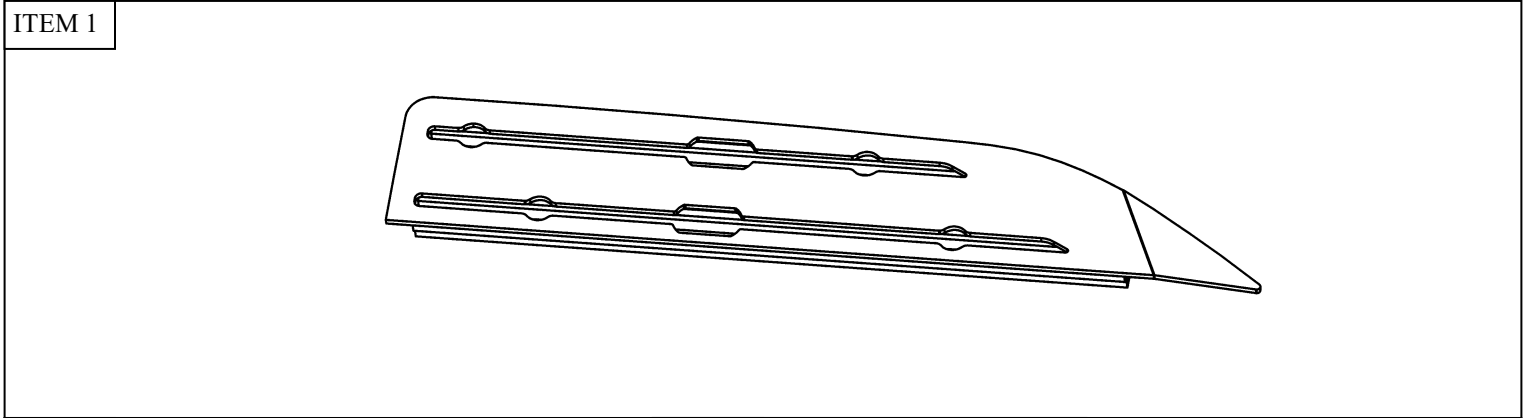
PART NUMBER: 10-23995

Compatibility (Part #)

10-21005
10-21035
10-21015

CONTENT			
ITEM	QUANTITY	DESCRIPTION	TOOLS NEEDED
1	1	DASH MOUNT TOP PLATE	PLASTIC PRYING TOOL 7MM SOCKET 1/4" SOCKET RATCHET TORQUE WRENCH SOCKET EXTENSION 3MM ALLEN KEY 3MM HEX BIT
2	1	DASH MOUNT BASE	
3	1	DRIVER SIDE SPACER	
4	2	PASSENGER SIDE SPACER	
5	2	#8 HEX HEAD SCREW 1 1/2"	
6	1	#8 HEX HEAD SCREW 1 3/4"	
7	3	NO. 8 FLAT WASHER	
8	4	M4 BARREL CLIP	
9	4	M4 HEX DRIVE SCREW	

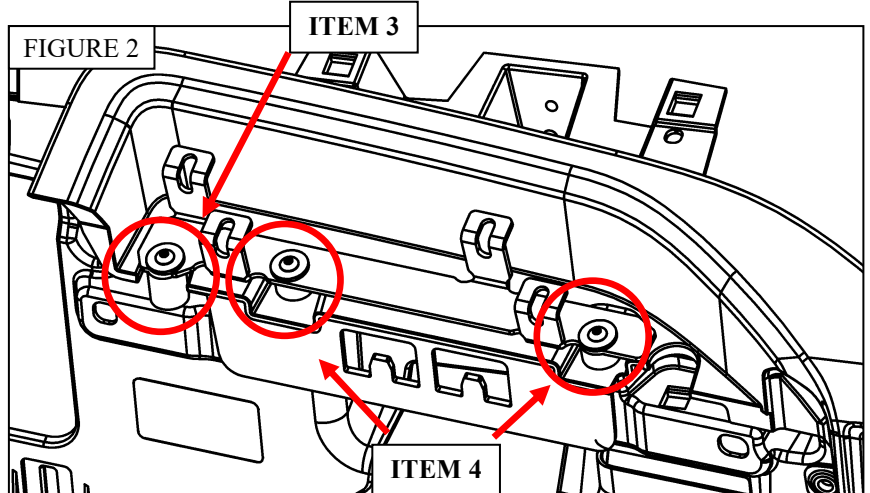
ANTI-SEIZE LUBRICANT MUST BE USED ON ALL STAINLESS STEEL FASTENERS TO PREVENT THREAD DAMAGE AND GALLING



PROCEDURE

1. Remove contents from box, verify if all parts listed are present and free from damage.
Carefully read and understand all instructions before attempting installation.
Failure to identify damage before installation could lead to a rejection of any claim.
2. Locate the dash tray and rubber mat behind the tablet. Remove the tray using a plastic pry tool.
3. Remove the three bolts in **Fig. 1** using a 7MM socket and ratchet.
4. Place the driver side and passenger side spacers in the locations shown in **Fig 2**.

Note: The flat side of the spacers should face down while the top angled side should be oriented to allow the base mount to sit flush on the dash.



WESTIN

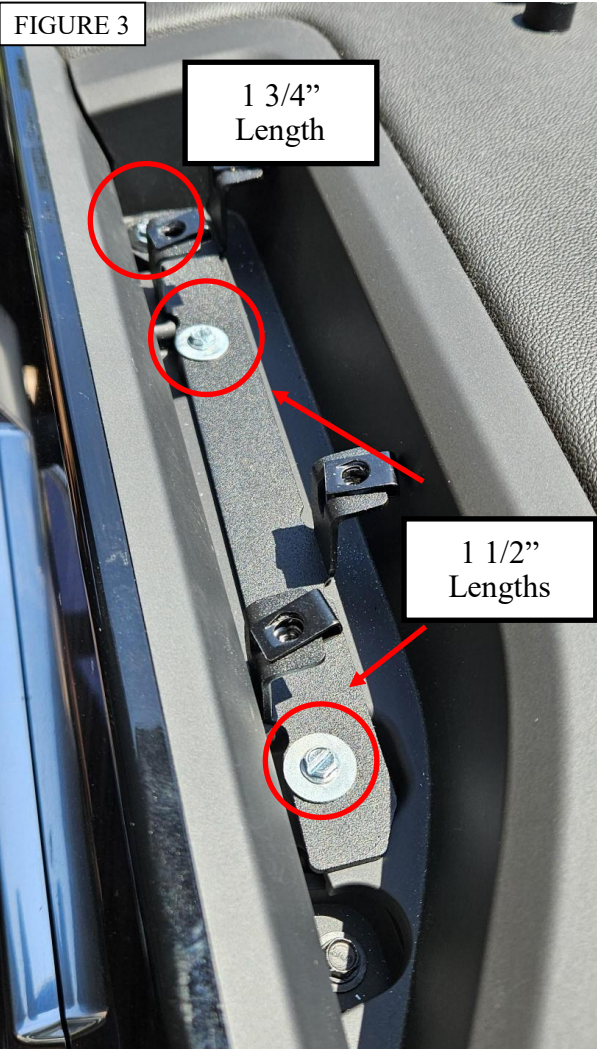
Westin Automotive Products, Inc.
320 W. Covina Blvd
San Dimas, Ca. 91773

Thank you for choosing Westin products
for additional installation assistance please call
Customer Service (800) 793-7846

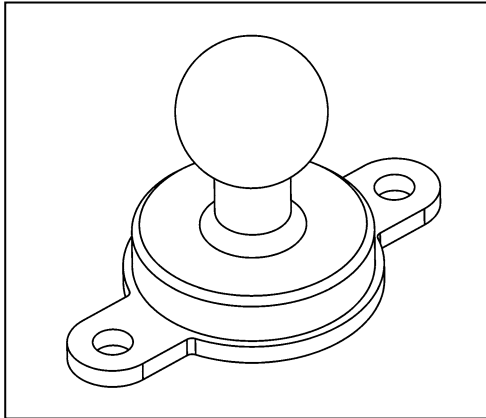
www.westinautomotive.com

5. Use the provided #8 Hex Head Screws and No. 8 Flat Washers (Items 5-7) to fasten the Dash Mount Base (Item 2) to the dash using a 1/4" socket; torque to 24 in-lbs. Refer to **Fig. 3** for locations of the screws.
6. Place the M4 Barrel Clips (Item 8) onto the base mount flanges as shown in **Fig. 4**. Make sure the flat side of the barrel clips are facing upwards.
7. Sit the Dash Mount Top Plate (Item 1) onto the base, and start threading the M4 Hex Drive Screws (Item 9) into the barrel clips one by one using a 3mm allen key. The barrel clips may need to be adjusted to line up with the top plate holes. Torque the M4 screws to 26 in-lbs using a 3mm hex bit.

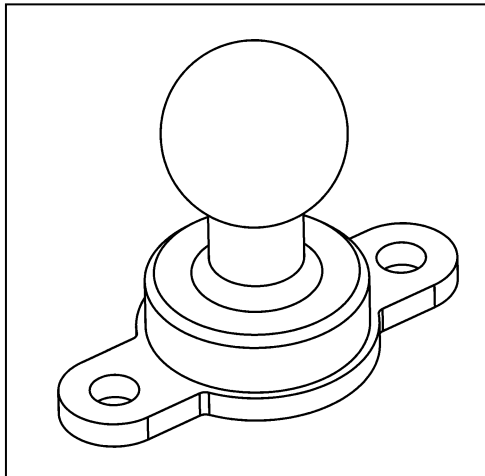
Note: If the M4 Hex Drive Screws are not lining up with the barrel clips, try rotating the barrel clips 90° from the orientation shown in Fig. 4.



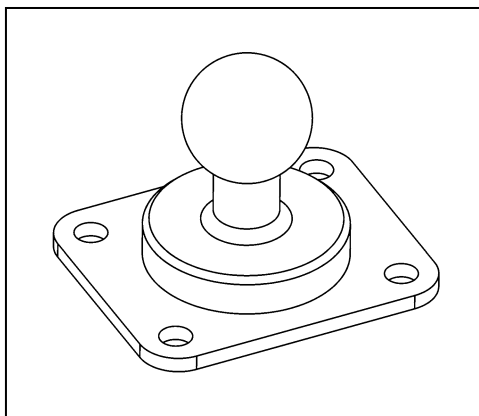
BALL MOUNTS COMPATIBLE WITH DASH MOUNT



Part #
10-21015



Part #
10-21005



Part #
10-21035

INSTALLATION COMPLETE



CARE INSTRUCTIONS

- REGULAR WAXING IS RECOMMENDED. DO NOT USE ANY TYPE OF POLISH OR WAX THAT MAY CONTAIN ABRASIVES.
- STAINLESS STEEL PRODUCTS CAN BE CLEANED WITH MILD SOAP AND WATER. STAINLESS STEEL POLISH SHOULD BE USED TO POLISH SMALL SCRATCHES.
- GLOSS BLACK FINISHES SHOULD BE CLEANED WITH MILD SOAP AND WATER.

WESTIN Westin Automotive Products, Inc.
320 W. Covina Blvd
San Dimas, Ca. 91773

Thank you for choosing Westin products
for additional installation assistance please call
Customer Service (800) 793-7846

www.westinautomotive.com



WARNING



Failure to follow these instructions could lead to death, personal injury, and / or property damage.

FASTENERS:

All Westin supplied fasteners must be utilized and installed in accordance with the installation instructions and apply torque to the specifications as defined. **DOUBLE CHECK ALL FASTENERS BEFORE INITIAL USE, AND PERIODICALLY IN THE FUTURE TO ENSURE PROPER FUNCTION AND SAFETY.**

DRILLING:

Most Westin products do not require drilling for installation. If drilling is defined as required, use caution when drilling a vehicle. **FAILURE TO REVIEW AN AREA TO BE DRILLED MAY RESULT IN PERSONAL INJURY AND/OR INJURY TO OTHERS AS WELL AS VEHICLE DAMAGE.**

EYE PROTECTION:

ALWAYS WEAR SAFETY GLASSES OR GOGGLES DURING THE INSTALLATION PROCESS TO AVOID PERSONAL INJURY.

MAXIMUM TOWING/CARRYING CAPACITY: (if applicable)

The Westin Receiver Hitches will have a visible tow rating label affixed directly on the product. User should never exceed the vehicle manufacturers maximum tow and weight rating regardless of the capacity of the hitch. **FAILURE TO FOLLOW THESE GUIDELINES WILL VOID THE WESTIN WARRANTY AND MAY RESULT IN PERSONAL INJURY AND/OR INJURY TO OTHERS AS WELL AS VEHICLE DAMAGE.**

FOR CALIFORNIA RESIDENTS ONLY-PROP 65 WARNING:

Some products may contain chemicals such as DEHP, which can cause cancer, birth defects or other reproductive harm. For more info go to www.p65warnings.ca.gov