

# INSTALLATION INSTRUCTIONS

## DASH PHONE MOUNT BASE



APPLICATION: 2024 TOYOTA TACOMA

PART NUMBER: 10-22785

**Compatibility (Part #)**

10-21005

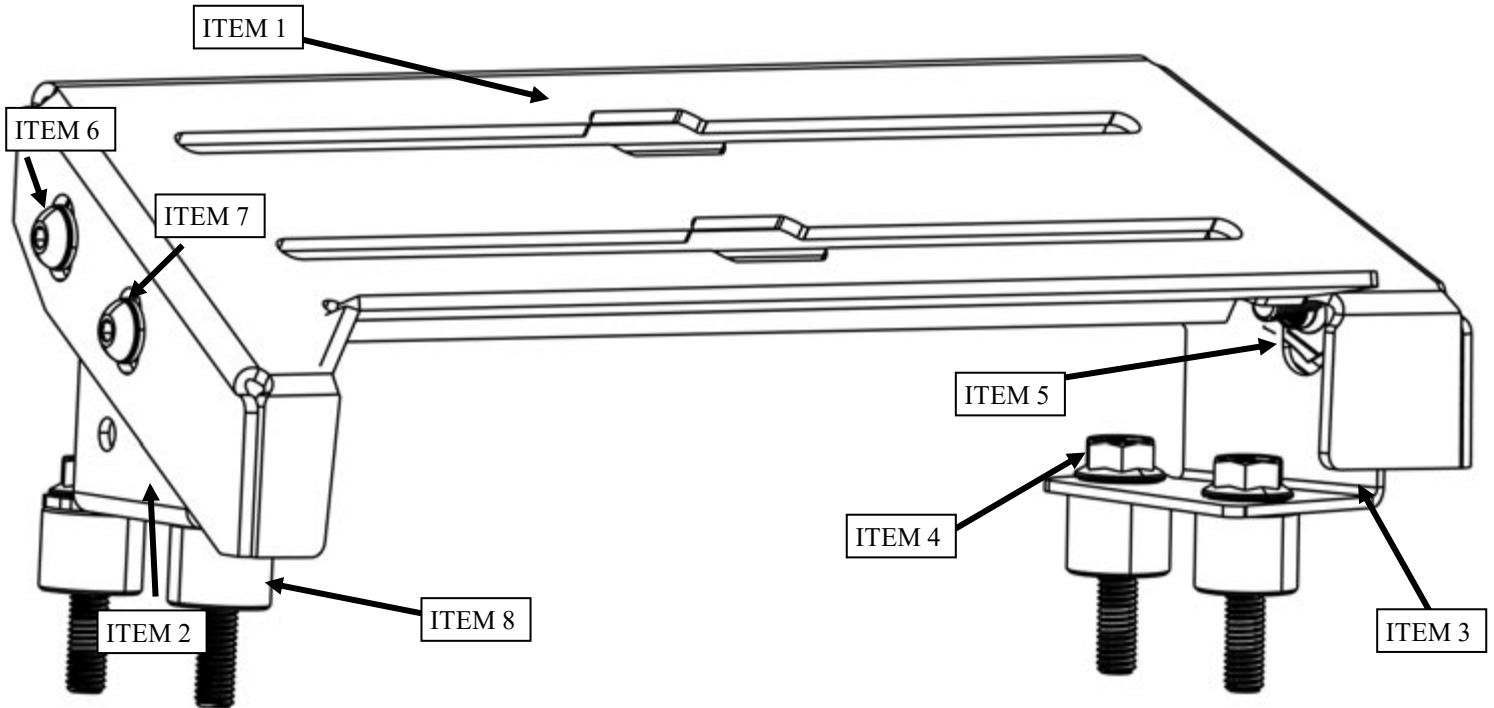
10-21035

10-21015

### CONTENT

ITEM	QUANTITY	DESCRIPTION	TOOLS NEEDED
1	1	MAIN DASH MOUNT	PLASTIC PRYING TOOL
2	1	DRIVER BRACKET MOUNT	10MM SOCKET
3	1	PASSENGER BRACKET MOUNT	RATCHET
4	4	M6 FLANGED HEX HEAD SCREW	TORQUE WRENCH
5	4	M5 CLIP-ON BARREL NUT	6 INCH SOCKET EXTENSIONS
6	4	M5 BUTTON HEAD HEX DRIVE SCREW	3MM ALLEN KEY
7	4	M5 FLAT WASHER	
8	4	1/2IN ROUND SPACER	

ANTI-SEIZE LUBRICANT MUST BE USED ON ALL STAINLESS STEEL FASTENERS TO PREVENT THREAD DAMAGE AND GALLING



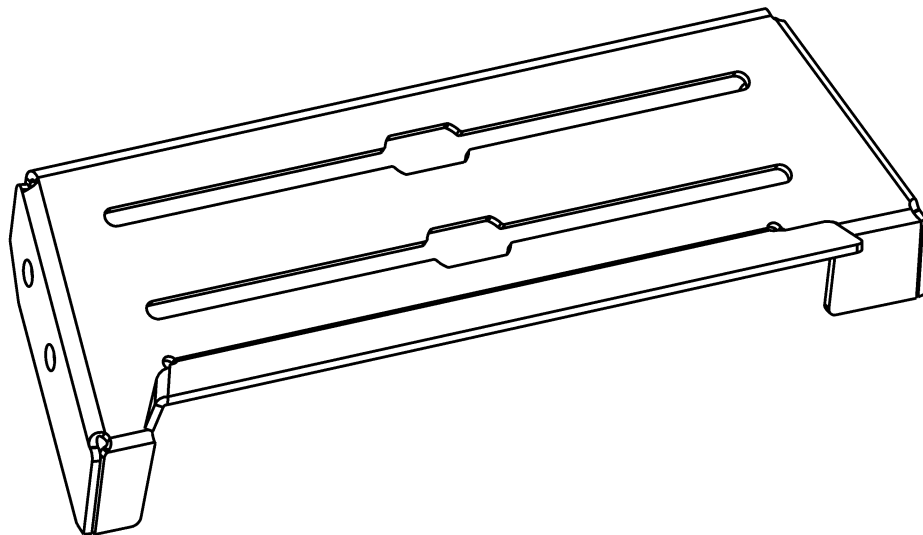
Westin Automotive Products, Inc.  
320 W. Covina Blvd  
San Dimas, Ca. 91773

Thank you for choosing Westin products  
for additional installation assistance please call  
Customer Service (800) 793-7846

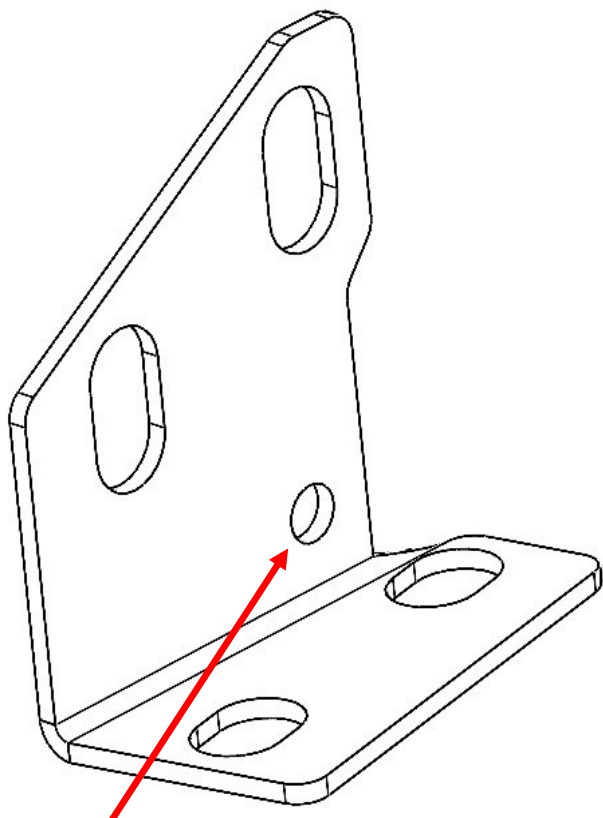
[www.westinautomotive.com](http://www.westinautomotive.com)

DATE: 8/1/25

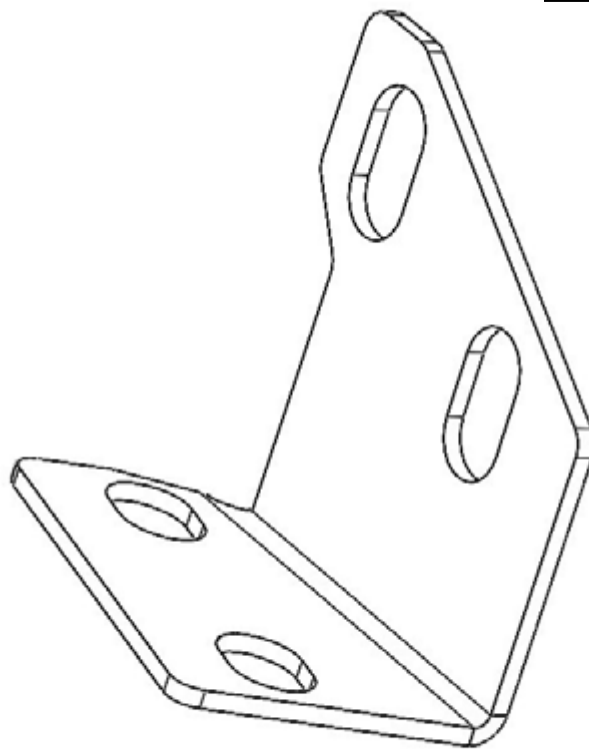
ITEM 1



ITEM 2



ITEM 3



NOTE: The driver side bracket has an identifying hole.

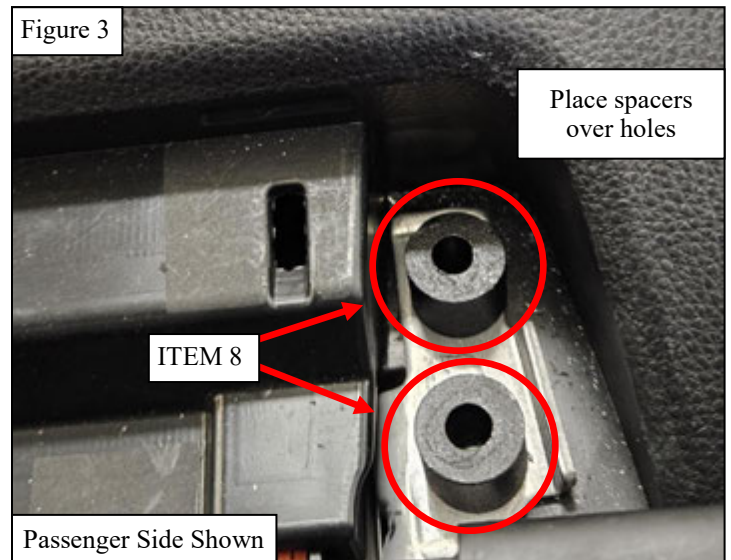
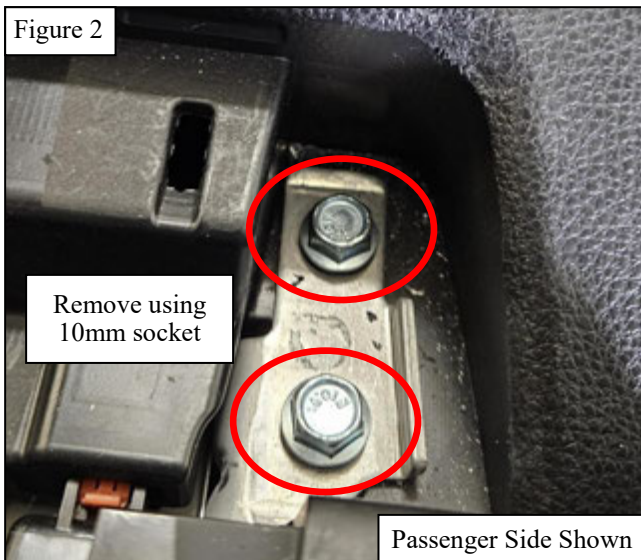
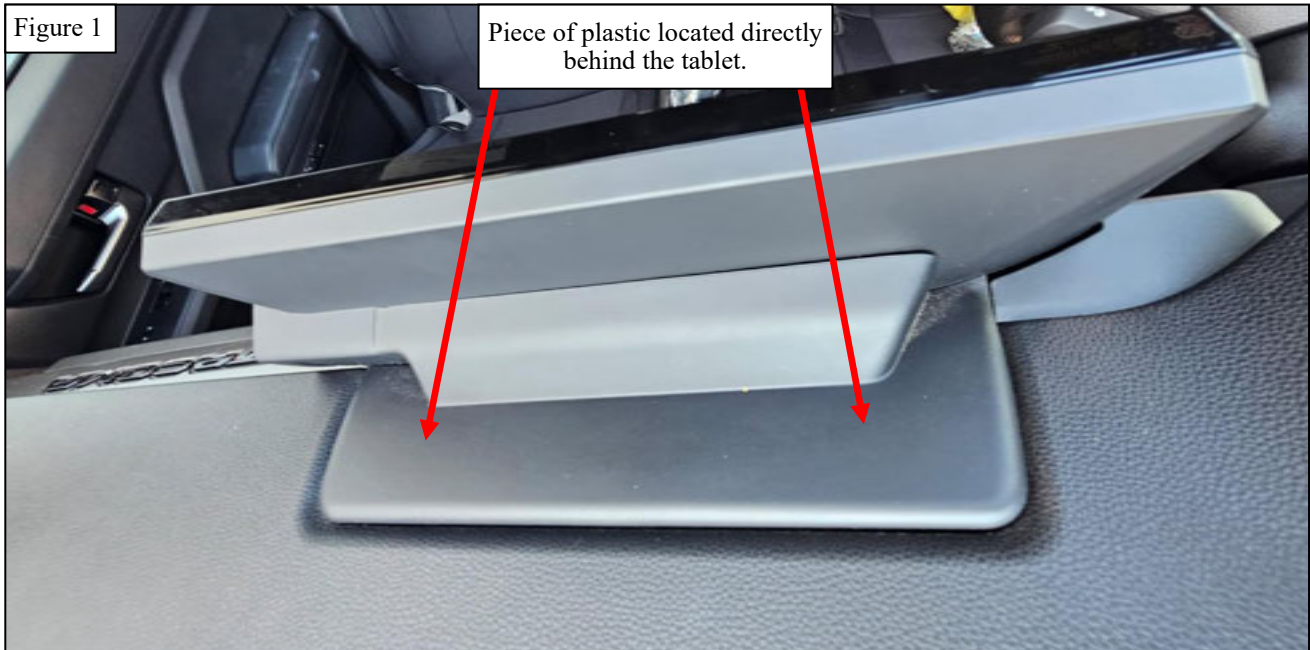
**WESTIN**

Westin Automotive Products, Inc.  
320 W. Covina Blvd  
San Dimas, Ca. 91773

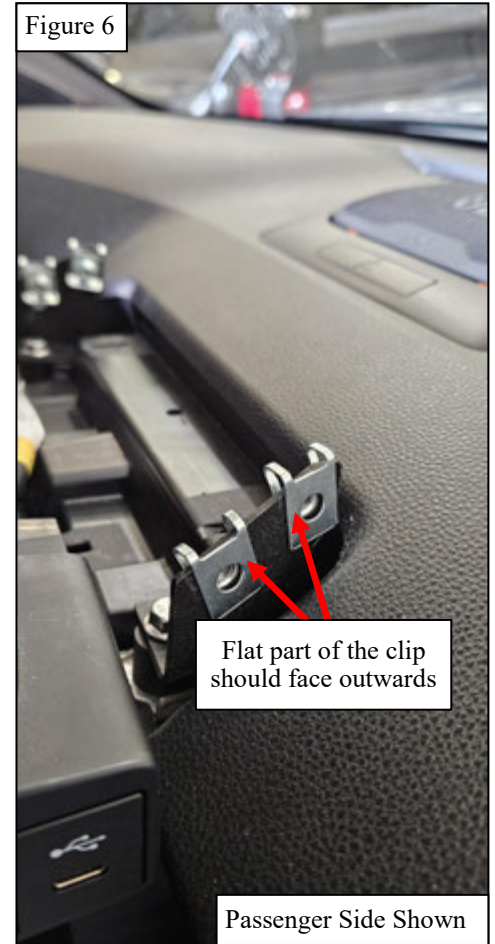
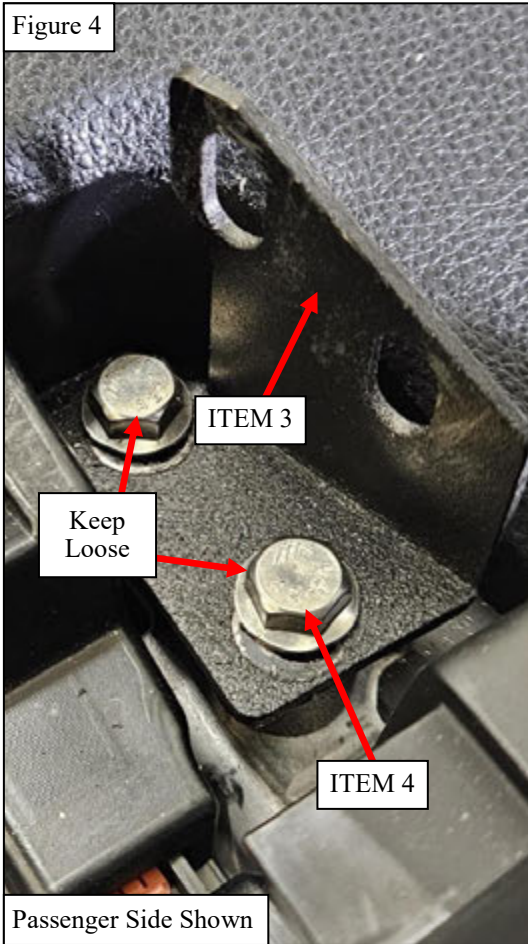
Thank you for choosing Westin products  
for additional installation assistance please call  
Customer Service (800) 793-7846  
[www.westinautomotive.com](http://www.westinautomotive.com)

## PROCEDURE

1. Remove contents from box, verify if all parts listed are present and free from damage. Carefully read and understand all instructions before attempting installation.  
**Failure to identify damage before installation could lead to a rejection of any claim.**
2. Locate the plastic cover piece behind the tablet, remove using a prying tool exposing four bolts. See **Figure 1** as reference.
3. Starting on the passenger side, remove the two bolts using a 10MM socket and ratchet. After doing so, add two 1/2 inch spacers (Item 8) over the two holes where the bolts were (**Fig 2**).



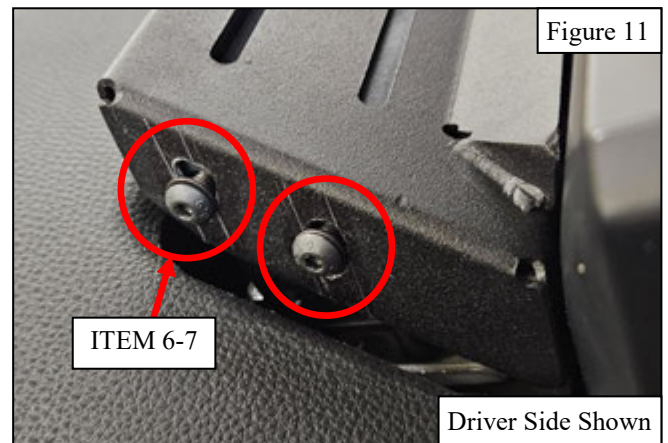
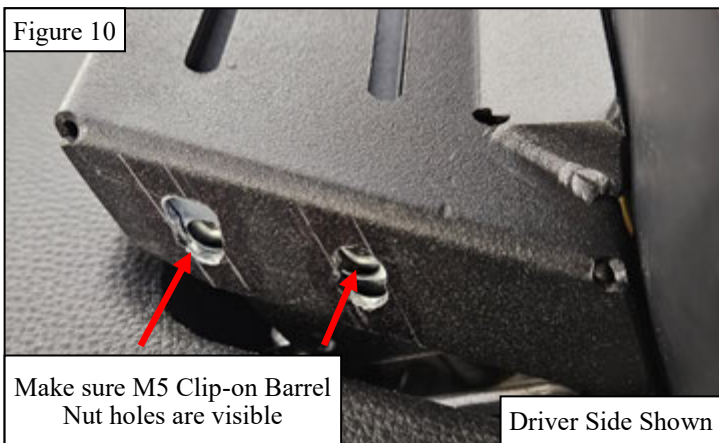
4. Attach the Passenger Side Bracket Mount (Item 3) using two M6 Hex Head Screws (Item 4). Loosely fasten each using a 10MM socket and ratchet (**Fig 4**). **Do not tighten at this time.**
5. Slide two M5 Clip-on Barrel Nuts (Item 5) onto the top of the bracket mount. Make sure the flat side of the clip is on the outside of the mount (**Fig 5-6**).
6. Repeat Steps 2-5 for the Driver Side Bracket Mount (Item 2) (**Fig 7**).



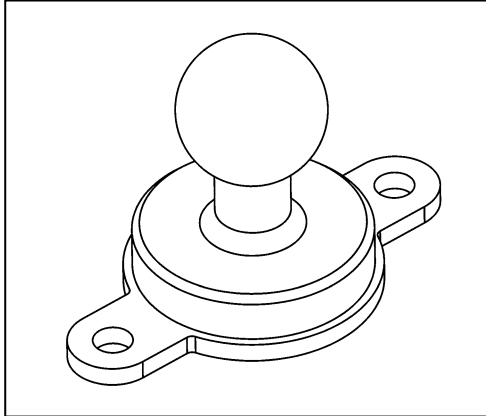
7. Push both bracket mounts inwards as much as possible (**Fig 8-9**). Place the Main Dash Mount (Item 1) over the brackets to test the alignment of the holes on the side of the mount with the M5 Clip-on Barrel Nuts (**Fig 10**). Once the alignment is confirmed, take the dash mount off and tighten the M6 bolts using a 10MM socket and ratchet. Use a torque wrench to torque the bolts to 84in-lb.
8. Locate the two holes on the driver side of the dash mount and thread (2) M5 Button Head Hex Drive Screws with (2) M5 Flat Washers (Item 6-7) into the M5 Clip-on Barrel Clips using a 3mm Allen Key (**Fig 10-11**). Tighten by hand until snug.
9. Repeat Step 8 for the passenger side to complete the installation.



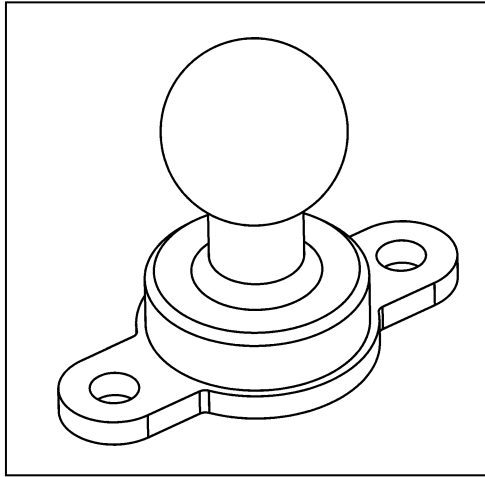
Push the two  
bracket mounts  
towards each other



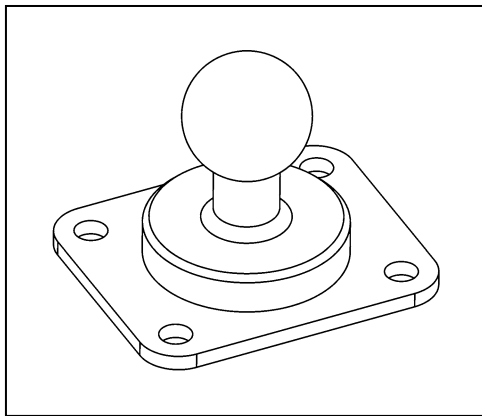
**BALL MOUNTS COMPATIBLE WITH DASH MOUNT**



**Part #**  
**10-21015**



**Part #**  
**10-21005**



**Part #**  
**10-21035**

**INSTALLATION COMPLETE**



**CARE INSTRUCTIONS**

- REGULAR WAXING IS RECOMMENDED. DO NOT USE ANY TYPE OF POLISH OR WAX THAT MAY CONTAIN ABRASIVES.
- STAINLESS STEEL PRODUCTS CAN BE CLEANED WITH MILD SOAP AND WATER. STAINLESS STEEL POLISH SHOULD BE USED TO POLISH SMALL SCRATCHES.
- GLOSS BLACK FINISHES SHOULD BE CLEANED WITH MILD SOAP AND WATER.

**WESTIN**

Westin Automotive Products, Inc.  
320 W. Covina Blvd  
San Dimas, Ca. 91773

Thank you for choosing Westin products  
for additional installation assistance please call  
Customer Service (800) 793-7846  
[www.westinautomotive.com](http://www.westinautomotive.com)



## WARNING



Failure to follow these instructions could lead to death, personal injury, and / or property damage.

Failure to follow these instructions could lead to death, personal injury, and / or property damage.

### FASTENERS:

All Westin supplied fasteners must be utilized and installed in accordance with the installation instructions and apply torque to the specifications as defined. **DOUBLE CHECK ALL FASTENERS BEFORE INITIAL USE, AND PERIODICALLY IN THE FUTURE TO ENSURE PROPER FUNCTION AND SAFETY.**

### DRILLING:

Most Westin products do not require drilling for installation. If drilling is defined as required, use caution when drilling a vehicle. **FAILURE TO REVIEW AN AREA TO BE DRILLED MAY RESULT IN PERSONAL INJURY AND/OR INJURY TO OTHERS AS WELL AS VEHICLE DAMAGE.**

### EYE PROTECTION:

**ALWAYS WEAR SAFETY GLASSES OR GOGGLES DURING THE INSTALLATION PROCESS TO AVOID PERSONAL INJURY.**

### MAXIMUM TOWING/CARRYING CAPACITY: (if applicable)

The Westin Receiver Hitches will have a visible tow rating label affixed directly on the product. User should never exceed the vehicle manufacturers maximum tow and weight rating regardless of the capacity of the hitch. **FAILURE TO FOLLOW THESE GUIDELINES WILL VOID THE WESTIN WARRANTY AND MAY RESULT IN PERSONAL INJURY AND/OR INJURY TO OTHERS AS WELL AS VEHICLE DAMAGE.**

### FOR CALIFORNIA RESIDENTS ONLY-PROP 65 WARNING:

Some products may contain chemicals such as DEHP, which can cause cancer, birth defects or other reproductive harm. For more info go to [www.p65warnings.ca.gov](http://www.p65warnings.ca.gov)



Westin Automotive Products, Inc.  
320 W. Covina Blvd  
San Dimas, Ca. 91773