



# INSTALLATION INSTRUCTIONS

## OVAL TUBE MOUNT KIT

### APPLICATION:

1997-2014 Ford Expedition

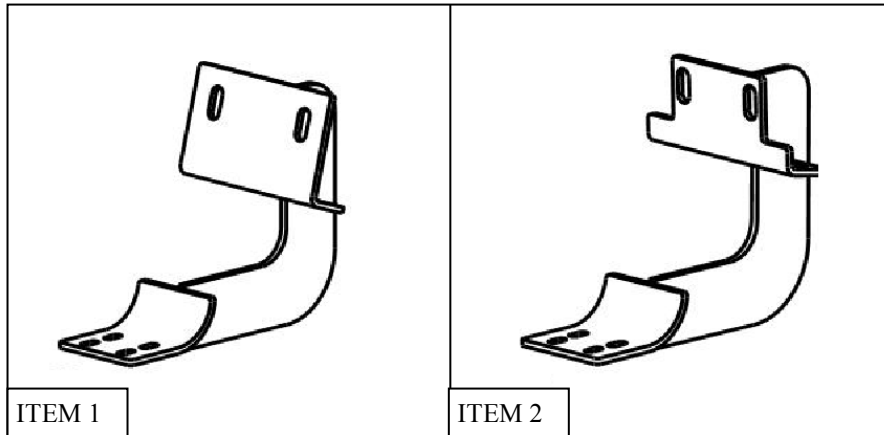
2007-2014 Ford Expedition EL

### PART NUMBER:

22-1105

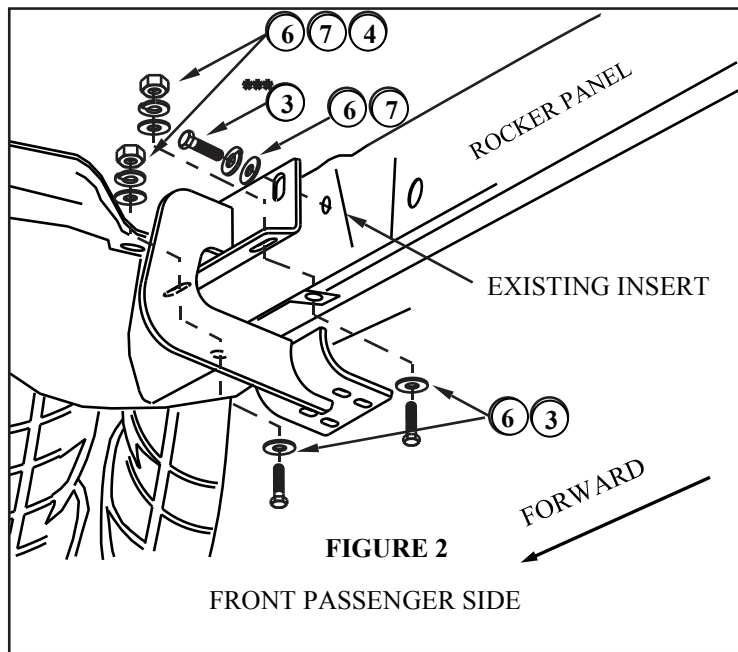
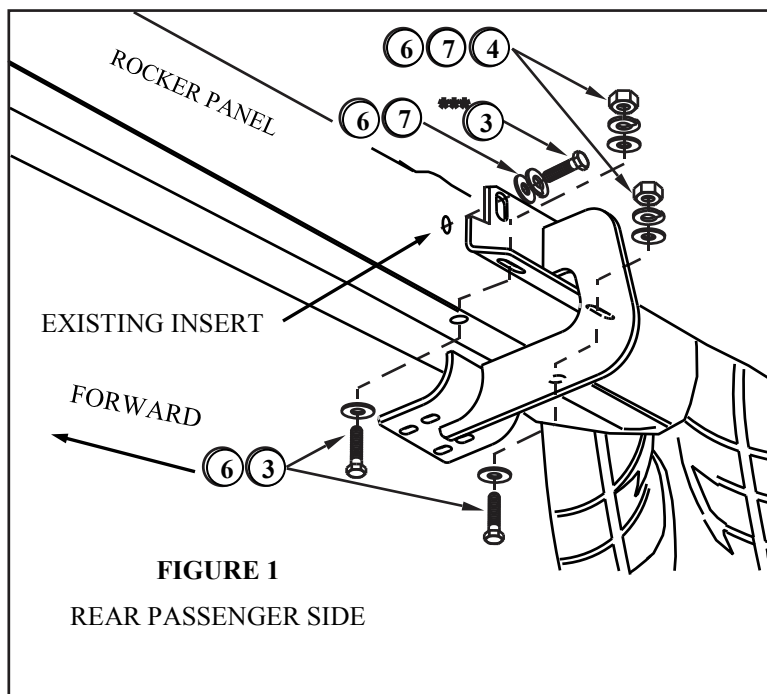
ITEM	QUANTITY	DESCRIPTION	TOOLS NEEDED
1	2	FRONT BRACKET	1/2" SOCKET
2	2	REAR BRACKET	7/16" SOCKET
3	12	M8 HEX HEAD BOLT	10MM SOCKET
4	8	M8 HEX NUT	RATCHET
5	4	5/16-18 X 1.00" SELF TAPPING SCREW	TORQUE WRENCH
6	20	5/16" FLAT WASHER	
7	12	5/16" LOCK WASHER	

**ANTI-SEIZE LUBRICANT MUST BE USED ON ALL STAINLESS STEEL FASTENERS TO PREVENT THREAD DAMAGE AND GALLING**



## PROCEDURE

1. Remove contents from box, verify if all parts listed are present and free from damage.  
Carefully read and understand all instructions before attempting installation.  
**Failure to identify damage before installation could lead to a rejection of any claim.**
2. Remove any tape on inside rocker panel that covers the mounting holes.  
**NOTE:** 5/16" self tap bolts replace 1 M8 bolts per bracket if factory holes are not tapped for M8 bolts. Tighten and torque 5/16" bolts to 15 FT.LBS. **WARNING:** Do not use 5/16" self tapping hardware in factory threaded hole, 4 bolts should be left over. Do not install them.
3. Attach rear bracket to underside of body panel as shown. Hand tighten. **See FIGURE 1. NOTE:** One slot will remain unused on driver and passenger side rear bracket.
4. Attach front bracket to underside of body panel as shown. Hand tighten. **See FIGURE 2. NOTE:** One slot will remain unused on driver and passenger side front bracket.
5. Make sure step bar and brackets are properly aligned with vehicle and tighten fasteners. Recommended torque values are 16 FT.LBS. for M8 fasteners, 7 FT.LBS. for 1/4" fasteners.
6. Repeat installation for driver side.



## CARE INSTRUCTIONS

- REGULAR WAXING IS RECOMMENDED. DO NOT USE ANY TYPE OF POLISH OR WAX THAT MAY CONTAIN ABRASIVES.
- STAINLESS STEEL PRODUCTS CAN BE CLEANED WITH MILD SOAP AND WATER. STAINLESS STEEL POLISH SHOULD BE USED TO POLISH SMALL SCRATCHES.
- GLOSS BLACK FINISHES SHOULD BE CLEANED WITH MILD SOAP AND WATER.

**WESTIN**

Westin Automotive Products, Inc.  
320 W. Covina Blvd  
San Dimas, Ca. 91773

Thank you for choosing Westin products  
for additional installation assistance please call  
Customer Service (800) 793-7846

[www.westinautomotive.com](http://www.westinautomotive.com)

DATE: 09/24/18



## WARNING



Failure to follow these instructions could lead to death, personal injury, and / or property damage.

Failure to follow these instructions could lead to death, personal injury, and / or property damage.

### FASTENERS:

All Westin supplied fasteners must be utilized and installed in accordance with the installation instructions and apply torque to the specifications as defined. **DOUBLE CHECK ALL FASTENERS BEFORE INITIAL USE, AND PERIODICALLY IN THE FUTURE TO ENSURE PROPER FUNCTION AND SAFETY.**

### DRILLING:

Most Westin products do not require drilling for installation. If drilling is defined as required, use caution when drilling a vehicle. **FAILURE TO REVIEW AN AREA TO BE DRILLED MAY RESULT IN PERSONAL INJURY AND/OR INJURY TO OTHERS AS WELL AS VEHICLE DAMAGE.**

### EYE PROTECTION:

**ALWAYS WEAR SAFETY GLASSES OR GOGGLES DURING THE INSTALLATION PROCESS TO AVOID PERSONAL INJURY.**

### MAXIMUM TOWING/CARRYING CAPACITY: (if applicable)

The Westin Receiver Hitches will have a visible tow rating label affixed directly on the product. User should never exceed the vehicle manufacturers maximum tow and weight rating regardless of the capacity of the hitch. **FAILURE TO FOLLOW THESE GUIDELINES WILL VOID THE WESTIN WARRANTY AND MAY RESULT IN PERSONAL INJURY AND/OR INJURY TO OTHERS AS WELL AS VEHICLE DAMAGE.**

### FOR CALIFORNIA RESIDENTS ONLY-PROP 65 WARNING:

Some products may contain chemicals such as DEHP, which can cause cancer, birth defects or other reproductive harm. For more info go to [www.p65warnings.ca.gov](http://www.p65warnings.ca.gov)



Westin Automotive Products, Inc.  
320 W. Covina Blvd  
San Dimas, Ca. 91773