



AUTOMOTIVE PRODUCTS,

INSTALLATION INSTRUCTIONS

6" PREMIER AND 4" OVAL TUBE MOUNT KIT

APPLICATION:

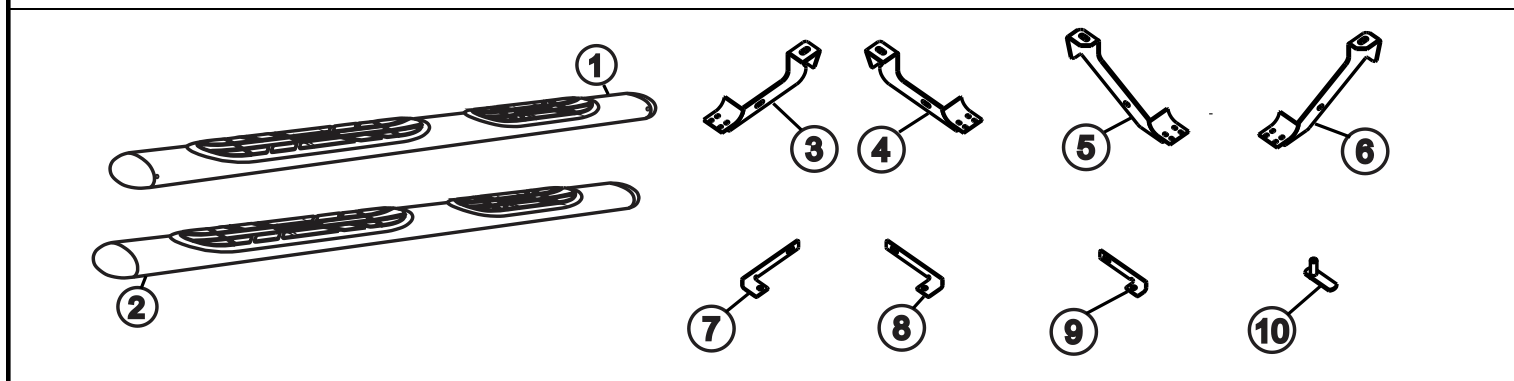
- 2002-2008 Dodge Ram 1500 Quad Cab
- 2003-2009 Dodge Ram 2500/3500 Quad Cab
- 2008-2009 Dodge Ram 4500/5500 Quad Cab

PART NUMBER:

22-1015

ITEM	QUANTITY	DESCRIPTION	TOOLS NEEDED
1,2	2	STEP BAR, PASSENGER (1) AND DRIVER (2) (SOLD SEPERATELY)	9/16" SOCKET
3,4	2	FRONT BRACKET, PASSENGER (3) AND DRIVER (4)	9/16" WRENCH
5,6	2	REAR BRACKET, PASSENGER (5) AND DRIVER (6)	7/16" SOCKET
7,8	2	FRONT SUPPORT BRACE, PASSENGER (7) AND DRIVER (8)	18MM SOCKET
9	2	REAR SUPPORT BRACE	RATCHET
10	4	BOLT PLATE ASSEMBLY	TORQUE WRENCH
11	4	M12 HEX HEAD BOLT	
12	4	1/2" FLAT WASHER	
13	4	1/2" LOCK WASHER	
14	4	3/8-16 X 1.25" HEX HEAD BOLT	
15	12	3/8" FLAT WASHER	
16	8	3/8" LOCK WASHER	
17	8	3/8-16" HEX NUT	
18	4	PLASTIC WASHER	
19	4	SPACER WASHER	
20	4	MOUNT ADAPTER PLATE (INCLUDED WITH STEP BARS)	
21	16	M6 LOCK NUT (INCLUDED WITH STEP BARS)	
22	16	M6 FLAT WASHER (INCLUDED WITH STEP BARS)	
23	4	6 INCH ADAPTER PLATE (INCLUDED WITH STEP BARS)	

ANTI-SEIZE LUBRICANT MUST BE USED ON ALL STAINLESS STEEL FASTENERS TO PREVENT THREAD DAMAGE AND GALLING

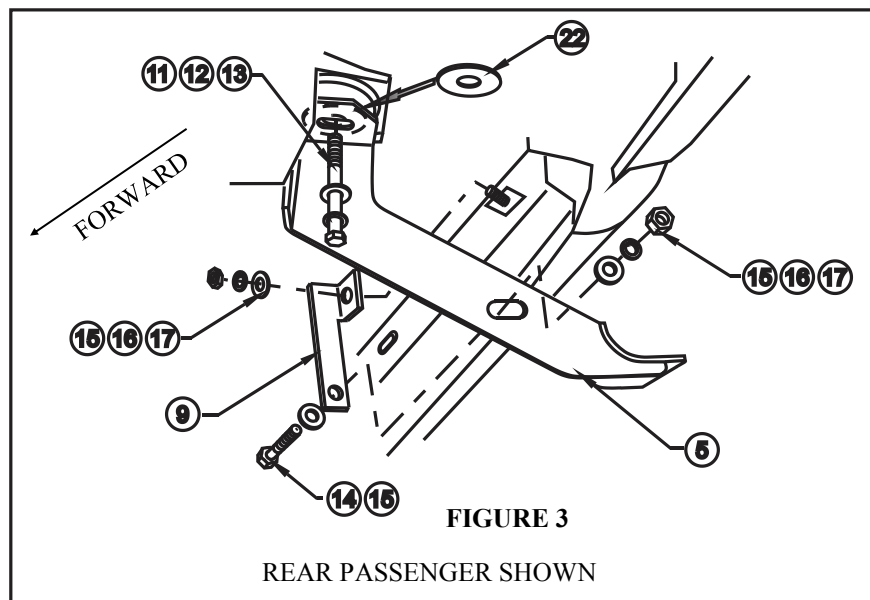
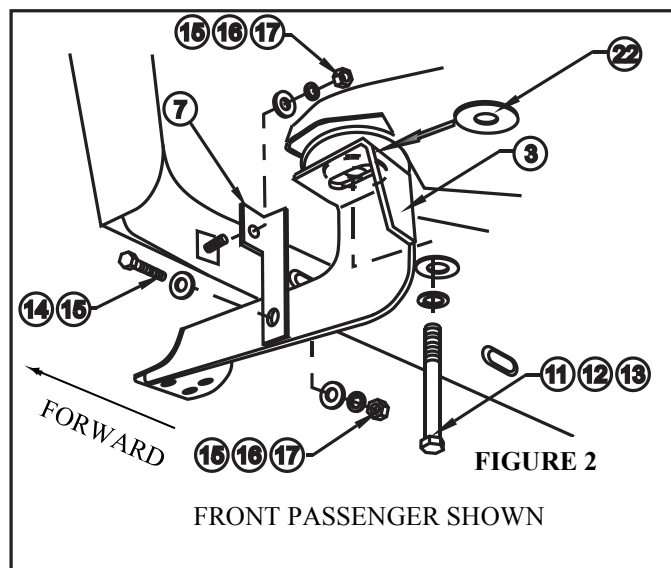
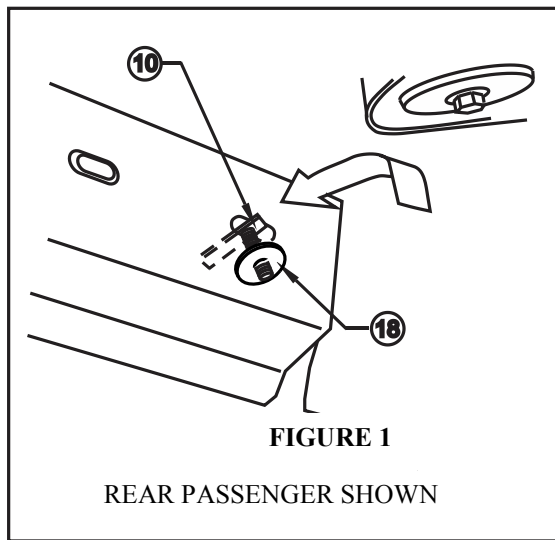


Westin Automotive Products, Inc.
320 W. Covina Blvd
San Dimas, Ca. 91773

Thank you for choosing Westin products
for additional installation assistance please call
Customer Service (800) 793-7846

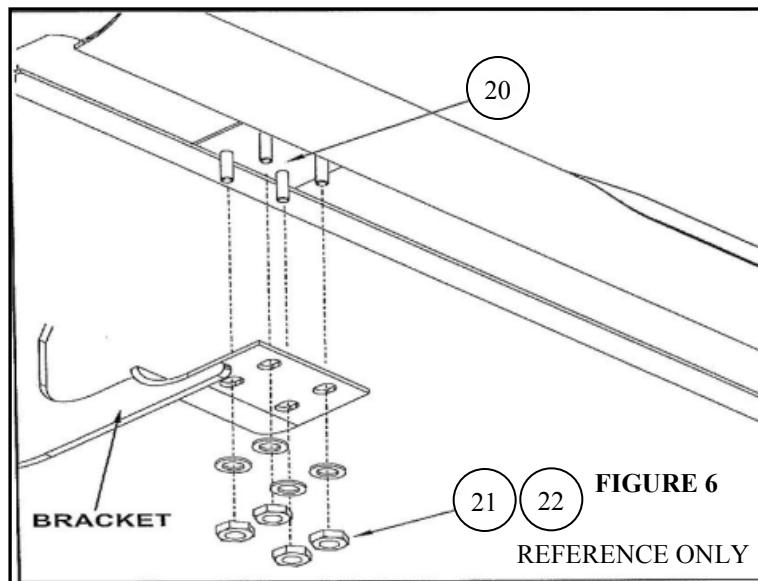
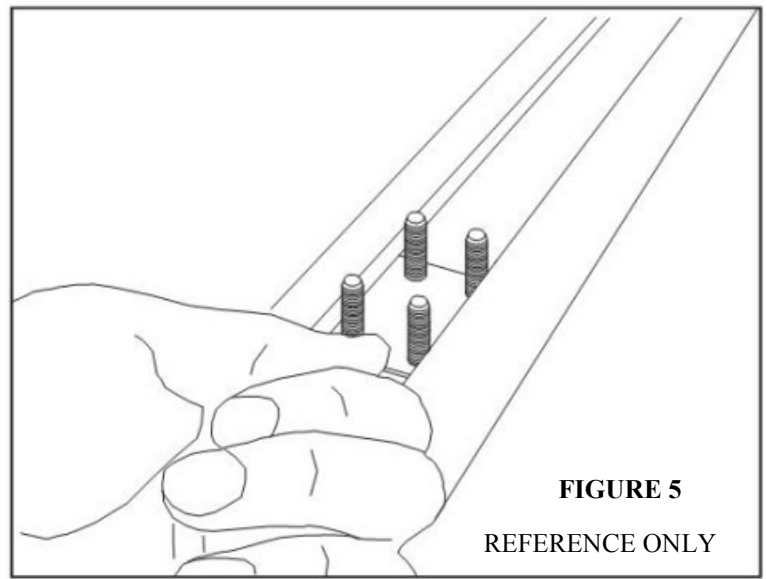
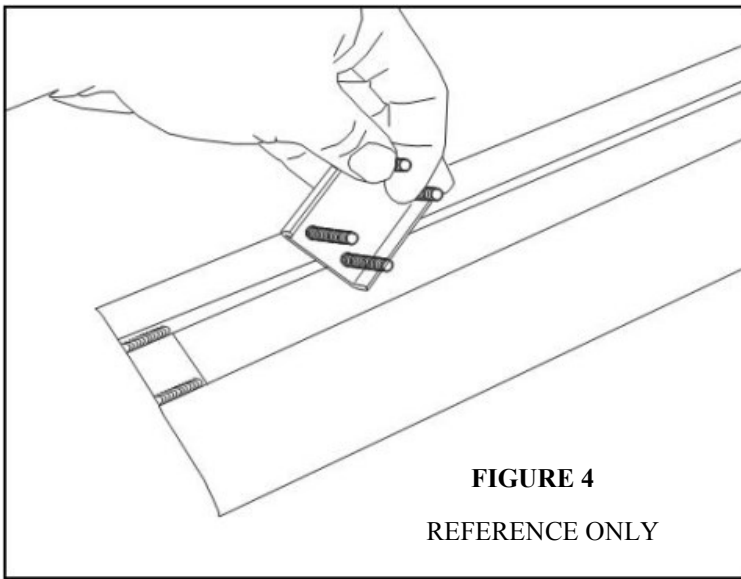
PROCEDURE

1. Remove contents from box, verify if all parts listed are present and free from damage. Carefully read and understand all instructions before attempting installation.
Failure to identify damage before installation could lead to a rejection of any claim.
2. Remove existing body mount bolts as shown. Existing body mount bolts will not be used.
3. Remove rubber grommets from underside of vehicle panel (4 total). Attach plastic washer to bolt plate. Insert bolt plate as shown. See **FIGURE 1**.
4. Install front and rear brackets as shown. Hand tighten. See **FIGURES 2 & 3**.
5. Install front and rear support braces as shown. Hand tighten. See **FIGURES 2 & 3**.
6. Slide mount adapter plates on step bar as shown. Place step bar on saddle with long pad forward and end cap screw facing inward. Assembly with M6 hardware. See **FIGURES 4, 5, & 6**. Reference installation sheet, 75-0820, Oval Tube Mount Adapter Kit.
7. Make sure step bar and brackets are properly aligned with vehicle and tighten fasteners. Recommended torque values are 79 FT.LBS. for M12 fasteners, 26 FT.LBS. for 3/8" fasteners, 7 FT.LBS. for 1/4" fasteners.



Westin Automotive Products, Inc.
320 W. Covina Blvd
San Dimas, Ca. 91773

Thank you for choosing Westin products
for additional installation assistance please call
Customer Service (800) 793-7846



CARE INSTRUCTIONS

- REGULAR WAXING IS RECOMMENDED. DO NOT USE ANY TYPE OF POLISH OR WAX THAT MAY CONTAIN ABRASIVES.
- STAINLESS STEEL PRODUCTS CAN BE CLEANED WITH MILD SOAP AND WATER. STAINLESS STEEL POLISH SHOULD BE USED TO POLISH SMALL SCRATCHES.
- GLOSS BLACK FINISHES SHOULD BE CLEANED WITH MILD SOAP AND WATER.



Westin Automotive Products, Inc.
320 W. Covina Blvd
San Dimas, Ca. 91773

Thank you for choosing Westin products
for additional installation assistance please call
Customer Service (800) 793-7846