



AUTOMOTIVE PRODUCTS,

INSTALLATION INSTRUCTIONS

6" PREMIER AND 4" OVAL TUBE MOUNT KIT

APPLICATION:

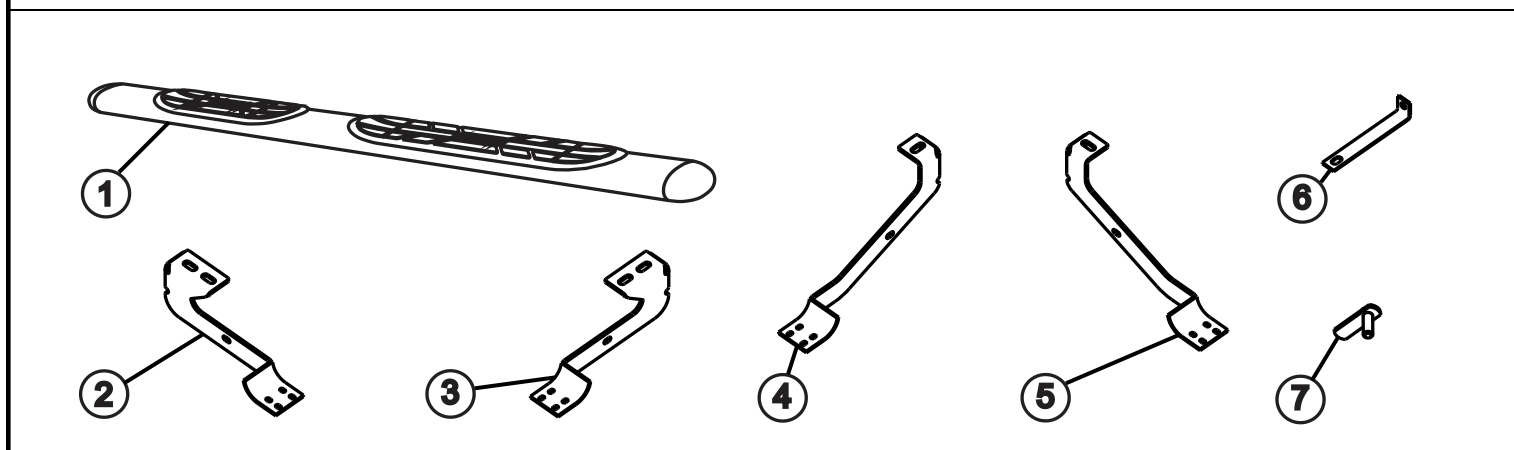
1998-2001 Dodge Ram 1500 Quad Cab
 1998-2002 Dodge Ram 2500/3500 Quad Cab

PART NUMBER:

22-1005

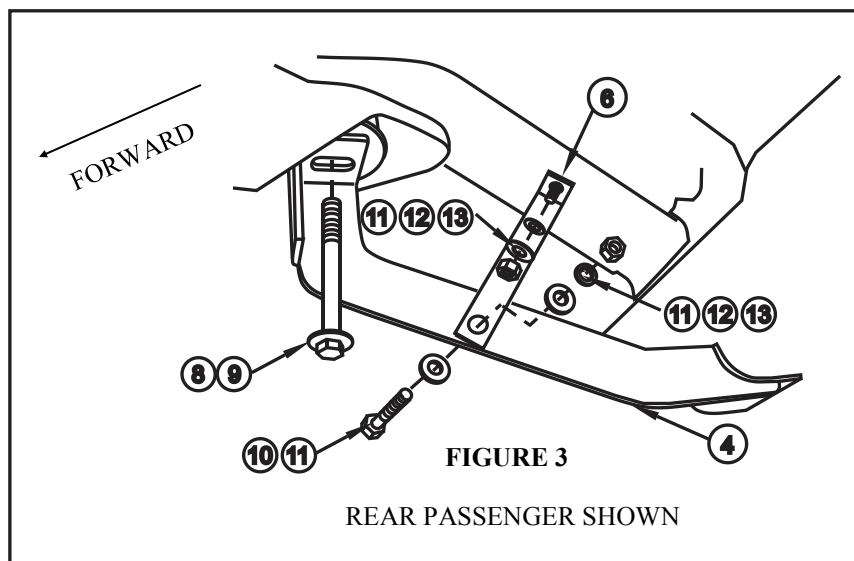
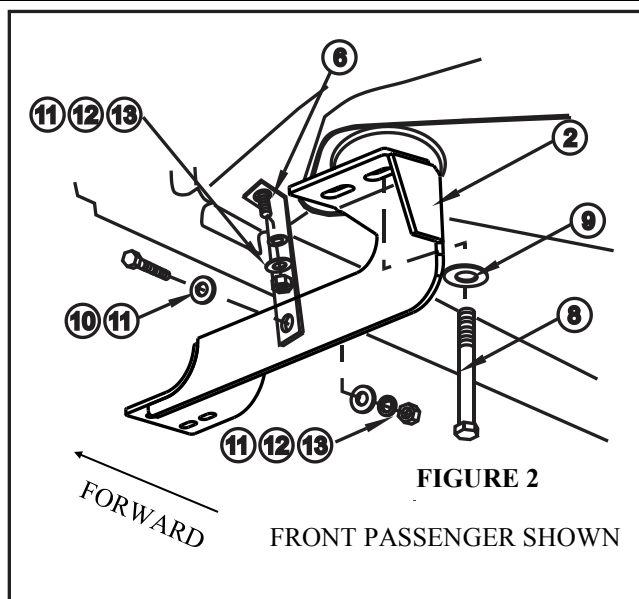
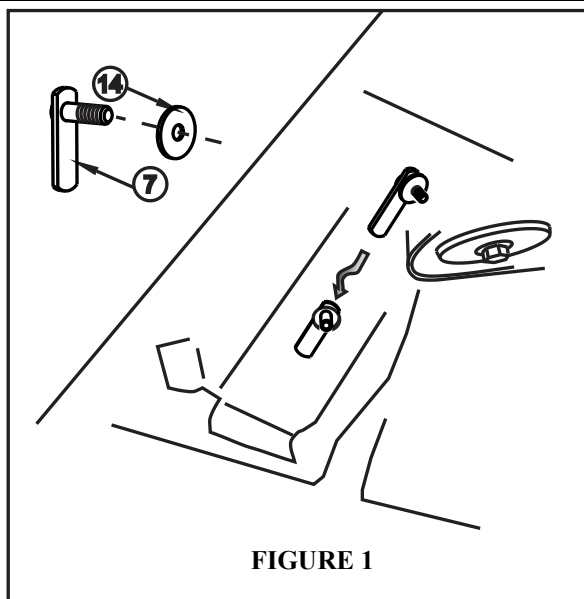
ITEM	QUANTITY	DESCRIPTION	TOOLS NEEDED
1	2	STEP BAR (SOLD SEPARATELY)	3/4" SOCKET
2,3	2	FRONT BRACKET, PASSENGER (2) AND DRIVER (3)	9/16" SOCKET
4,5	2	REAR BRACKET, PASSENGER (4) AND DRIVER (5)	7/16" SOCKET
6	4	SUPPORT BRACE	18MM SOCKET
7	4	BOLT PLATE ASSEMBLY	RATCHET
8	4	M12 HEX HEAD BOLT	TORQUE WRENCH
9	4	1/2" FLAT WASHER	
10	4	3/8-16 X 1.25" HEX HEAD BOLT	
11	12	3/8" FLAT WASHER	
12	8	3/8" LOCK WASHER	
13	8	3/8-16" HEX NUT	
14	4	PLASTIC WASHER	
15	4	MOUNT ADAPTER PLATE (INCLUDED WITH STEP BARS)	
16	16	M6 LOCK NUT (INCLUDED WITH STEP BARS)	
17	16	M6 FLAT WASHER (INCLUDED WITH STEP BARS)	
18	4	6 INCH ADAPTER PLATE (INCLUDED WITH STEP BARS)	

ANTI-SEIZE LUBRICANT MUST BE USED ON ALL STAINLESS STEEL FASTENERS TO PREVENT THREAD DAMAGE AND GALLING



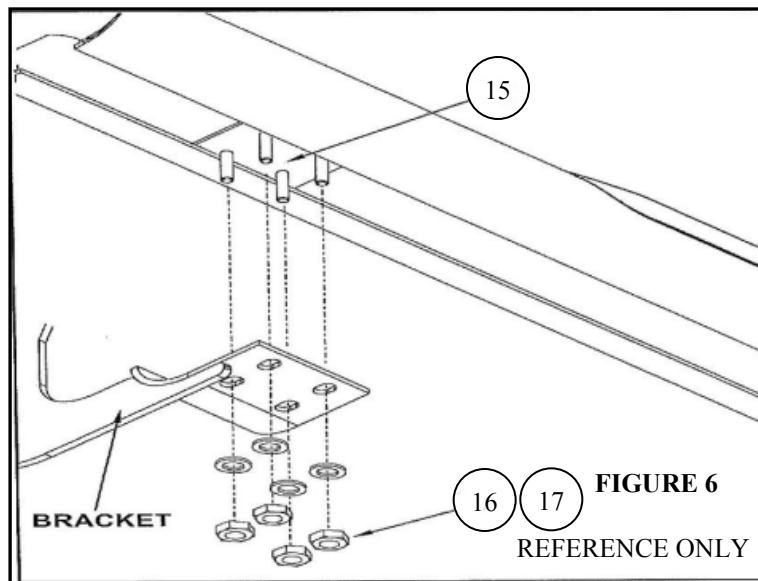
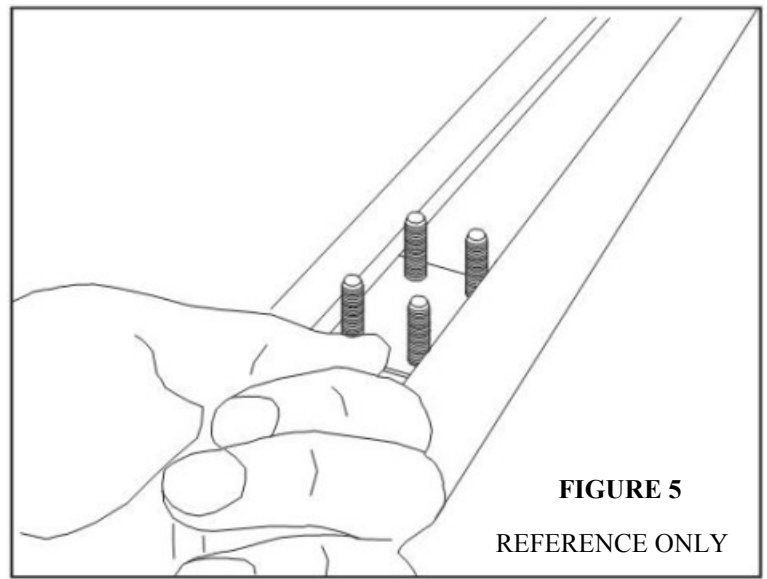
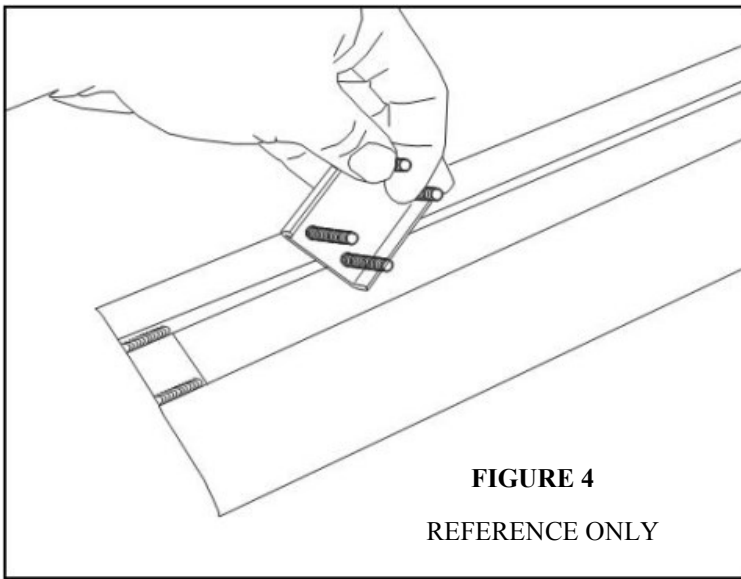
PROCEDURE

1. Remove contents from box, verify if all parts listed are present and free from damage. Carefully read and understand all instructions before attempting installation.
Failure to identify damage before installation could lead to a rejection of any claim.
2. Remove existing body mount bolts as shown. See FIGURES 2 & 3.
3. Install front and rear brackets as shown. Hand tighten. See FIGURES 2 & 3.
4. Attach plastic washer to bolt plate. Insert bolt plate as shown. See FIGURES 1, 2, & 3.
5. Attach support brace as shown. Hand tighten. Be sure bolt plate does not rotate out of hole by holding with small screwdriver until it is snug. See FIGURES 1, 2, & 3.
6. Slide mount adapter plates on step bar as shown. Place step bar on saddle with long pad forward and end cap screw facing inward. Assemble with M6 hardware. See FIGURES 4, 5, & 6. Reference installation sheet, 75-0820, Oval Tube Mount Adapter Kit.
7. Make sure step bar and brackets are properly aligned with vehicle and tighten fasteners. Recommended torque values are 79 FT.LBS. for M12 fasteners, 26 FT.LBS. for 3/8" fasteners, 7 FT.LBS. for 1/4" fasteners.



Westin Automotive Products, Inc.
320 W. Covina Blvd
San Dimas, Ca. 91773

Thank you for choosing Westin products
for additional installation assistance please call
Customer Service (800) 793-7846
www.westinautomotive.com



CARE INSTRUCTIONS

- REGULAR WAXING IS RECOMMENDED. DO NOT USE ANY TYPE OF POLISH OR WAX THAT MAY CONTAIN ABRASIVES.
- STAINLESS STEEL PRODUCTS CAN BE CLEANED WITH MILD SOAP AND WATER. STAINLESS STEEL POLISH SHOULD BE USED TO POLISH SMALL SCRATCHES.
- GLOSS BLACK FINISHES SHOULD BE CLEANED WITH MILD SOAP AND WATER.



Westin Automotive Products, Inc.
320 W. Covina Blvd
San Dimas, Ca. 91773

Thank you for choosing Westin products
for additional installation assistance please call
Customer Service (800) 793-7846