

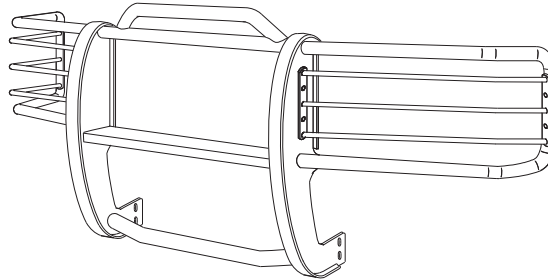


AUTOMOTIVE PRODUCTS, INC.

INSTALLATION INSTRUCTIONS

APPLICATION: 2001-04 EXPLORER SPORT 2DR
 2001-04 EXPLORER SPORT TRAC
 2/4 WHEEL DRIVE

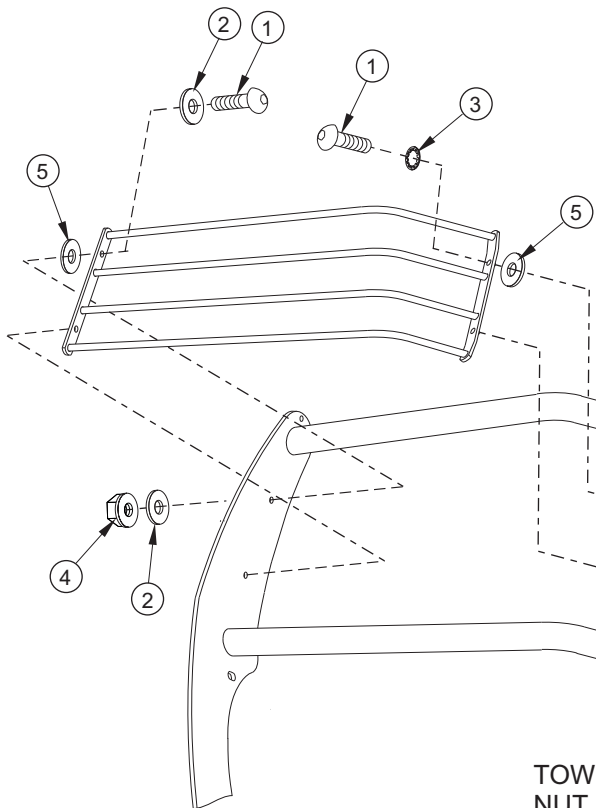
SPORTSMAN
 ASSEMBLY
40-0805



PARTS KIT CONTENTS

ITEM	QTY	DESCRIPTION	TOOLS REQUIRED
1	1	SPORTSMAN ASSEMBLY	3/4" SOCKET
2	2	LIGHT GUARD ASSEMBLY	3/4" WRENCH
3	2	BRACKET, PASSENGER AND DRIVER	7/16" WRENCH
4	8	1/2-13 X 1.25" HEX HEAD BOLT	5/32" HEX WRENCH
5	16	1/2" FLAT WASHER	15MM SOCKET
6	8	1/2" LOCK WASHER	10MM SOCKET
7	8	1/2-13 HEX NUT	8MM SOCKET RATCHET TORQUE WRENCH

- STEP 1. Remove the contents from box and check for damage. Verify all parts are present. Read instructions completely before beginning.
- STEP 2. Attach light guard assemblies as shown. **SEE FIGURE 1.**
- STEP 3. From underside of vehicle and behind bumper, remove four 8mm bolts and three 6mm bolts that secure the plastic shroud.
- STEP 4. Determine passenger and driver brackets. Remove tow hooks using a 15mm socket. **SEE FIGURE 2.**
NOTE: Vehicles without tow hooks, attach mounting brackets to frame using 1/2" fasteners. Install bolts through existing holes in "L" Bracket on the side of the frame. **SEE FIGURE 2.**
- STEP 5. Position bracket between vehicle frame and tow hook and attach using existing tow hook bolts. Hand tighten.
- STEP 6. With Sportsman lying front side down in front of vehicle, align lower bracket slot and Sportsman slot. Fasten using 1/2" fasteners on each side. Hand tighten. Rotate Sportsman up slowly toward vehicle until remaining slots in bracket and Sportsman line-up. Fasten together using remaining 1/2" hardware. Hand tighten.
- STEP 7. Center and level Sportsman with vehicle. Torque tow hook bolts to 75 Ft. Lbs and 1/2" bolts to 65 Ft. Lbs.
- STEP 8. Reinstall plastic shroud previously removed. Torque 8MM bolts to 87 In. Lbs. and 6MM Bolts to 36 In. Lbs.



ITEM	QTY.	DESCRIPTION
1	8	1/4-20 X 1.00" BUTTON HEAD BOLT
2	8	1/4" FLAT WASHER
3	4	1/4" INTERNAL TOOTH LOCK WASHER
4	4	1/4-20 NYLON NUT
5	8	RUBBER WASHER

NOTE: ALL FASTENERS MAY NOT BE USED.

FIGURE 1
LIGHT GUARD INSTALLATION

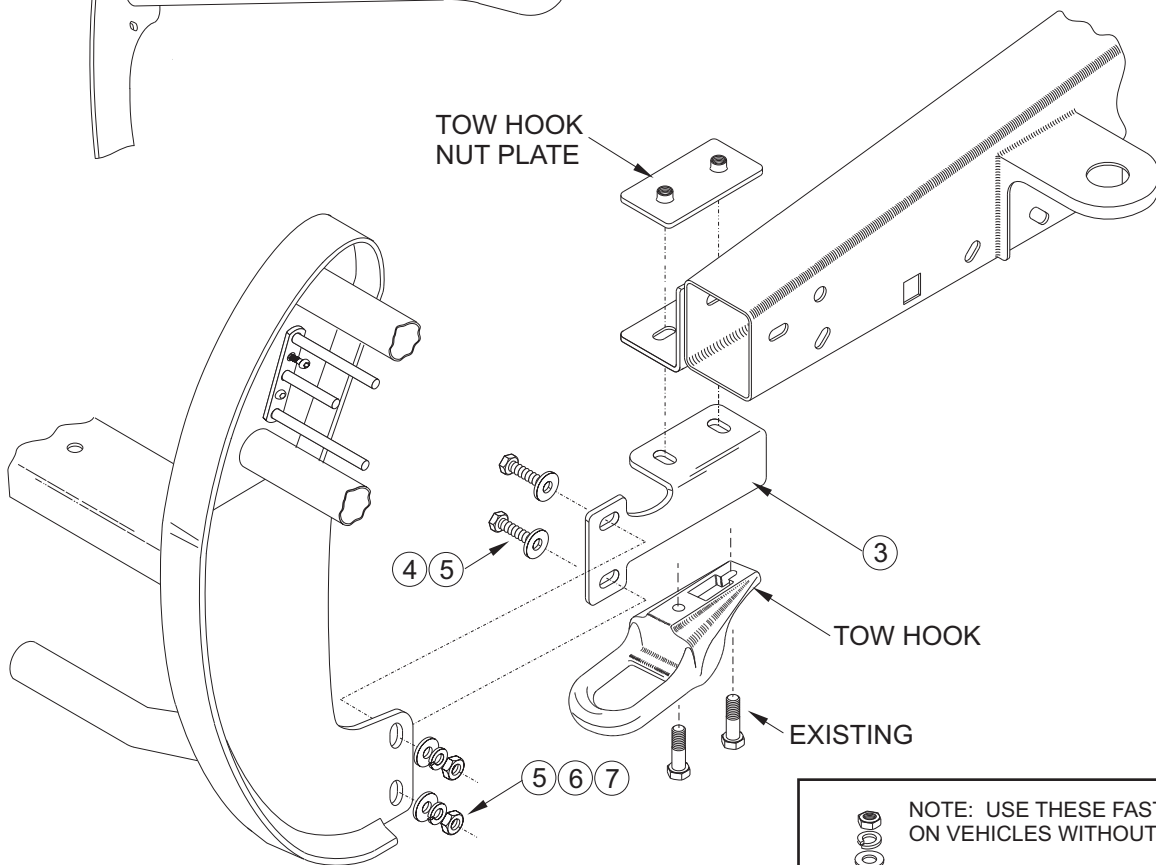


FIGURE 2
INSTALLATION VIEW OF DRIVER SIDE,
PASSENGER SIDE OPPOSITE

	NOTE: USE THESE FASTENERS ON VEHICLES WITHOUT TO HOOKS.
	1/2-13 HEX NUT
	1/2" LOCK WASHER
	1/2" FLAT WASHER
	1/2-13 X 1.25" HEX HEAD BOLT

Finish protection - Westin products have a high quality finish that must be cared for like any other exposed finish on the vehicle. Protect the finish with a non-abrasive automotive wax (pure carnauba, for example) on a regular basis. The use of cleaner wax or any compound which contains an abrasive is detrimental, as the compounds scratch the finish and open it to corrosion.