


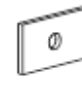





# INSTRUCTIONS

APPLICATION: 1996-01 FORD EXPLORER  
 1998-00 FORD RANGER/MAZDA B-SERIES PICKUP  
 1997-01 MERCURY MOUNTAINEER

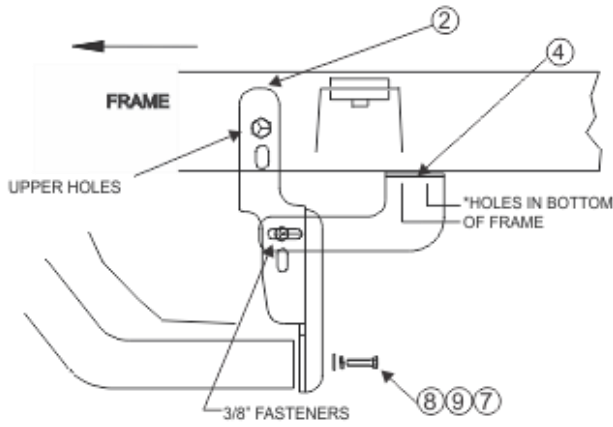
MOUNT KIT 30-1055		① 	② 	③ 	⑤ 
		④ 			
ITEM	QTY	CONTENTS			TOOLS
1,2	2	BRACKET, PASSENGER (1) AND DRIVER (2)			3/4" SOCKET 3/4" WRENCH 9/16" SOCKET 9/16" WRENCH 1/2" SOCKET 10MM SOCKET RATCHET RATCHET EXTENSION TORQUE WRENCH
3,4	2	SUPPORT BRACE, PASSENGER (3) AND DRIVER (4)			
5	2	BACKING PLATE			
6	2	1/2-13 X 4.00" HEX HEAD BOLT			
7	2	1/2-13 X 2.00" HEX HEAD BOLT			
8	6	1/2" FLAT WASHER			
9	4	1/2" LOCK WASHER			
10	2	1/2-13 HEX NUT			
11	2	3/8-16 X 1.50" HEX HEAD BOLT			
12	4	3/8" FLAT WASHER (NOT SHOWN)			
13	2	3/8" LOCK WASHER (NOT SHOWN)			
14	2	3/8-16 HEX NUT (NOT SHOWN)			
15	4	5/16-18 X 1.00" SELF TAPPING SCREW (NOT SHOWN)			

- STEP 1. Remove the contents from box and check for damage. Verify all parts are present. Read instructions completely before beginning.
- STEP 2. Attach brackets on outside face of frame members with 1/2-13 x 4.00" hex head bolts.  
 NOTE: 4 Door applications use upper holes. SEE FIGURE 1.  
 NOTE: Explorer "Sport" and Ranger uses lower holes. SEE FIGURE 2. Secure with backing plates and 1/2" fasteners. SEE FIGURE 3. Leave loose.
- STEP 3. Attach support braces using holes in bottom face of vehicle frame. NOTE: 1996-97 models: Secure to frame using 5/16" self tapping screws. SEE FIGURES 1 AND 2. 1998 models have a factory bolt in rear hole to hold radiator shroud. SEE FIGURES 1 AND 2. Remove "push type" fasteners holding rear of shroud to frame. Attach support braces between top of shroud and frame. Replace factory bolts. Replace push type fasteners with 5/16" self tapping screws. Leave loose.
- STEP 4. Attach support brace to brackets using 3/8" fasteners. SEE FIGURES 1 AND 2.
- STEP 5. Attach Safari Bar using 1/2" fasteners. SEE FIGURES 1-4.
- STEP 6. Level and adjust Safari Bar as desired and tighten all fasteners. Recommended torque values are 64 Ft. Lbs. for 1/2" fasteners, 26 Ft. Lbs. for 3/8" fasteners, 16 Ft. Lbs. for 8mm fasteners, and 15 Ft. Lbs. for 5/16"

#### FINISH PROTECTION

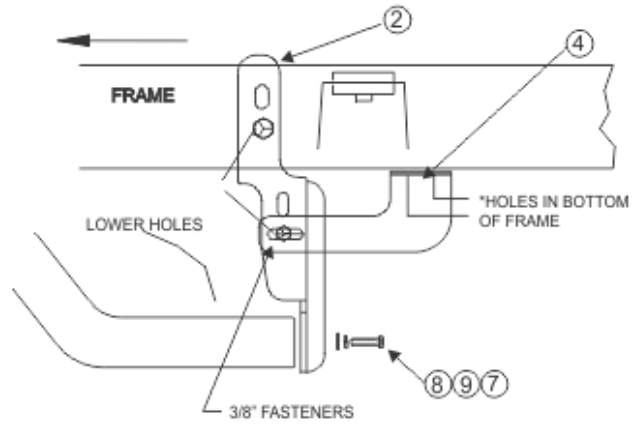
Westin products have a high quality finish that must be cared for like any other exposed finish on the vehicle. Protect the finish with a non-abrasive automotive wax, (e.g. Pure Carnauba) on a regular basis. The use of any soap, polish or wax that contains an abrasive is detrimental, as the compounds scratch the finish and open it to corrosion.

**FIGURE 1**  
4 DOOR APPLICATIONS  
DRIVER SIDE SHOWN



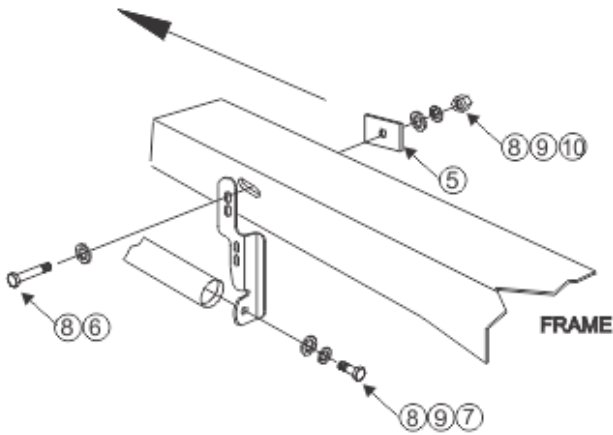
\* 1998 MODELS HAVE FACTORY BOLT IN REAR HOLE AND "PUSH TYPE" FASTENERS IN FRONT HOLE.

**FIGURE 2**  
EXPLORER SPORT & RANGER  
DRIVER SIDE SHOWN

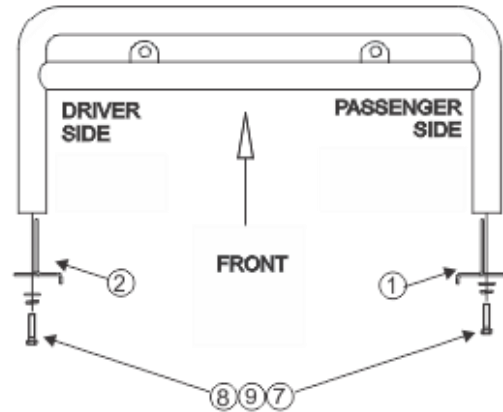


\* 1998 MODELS HAVE FACTORY BOLT IN REAR HOLE AND "PUSH TYPE" FASTENERS IN FRONT HOLE.

**FIGURE 3**  
DRIVER SIDE



**FIGURE 4**  
TOP VIEW



**CARE INSTRUCTIONS**

- REGULAR WAXING IS RECOMMENDED. DO NOT USE ANY TYPE OF POLISH OR WAX THAT MAY CONTAIN ABRASIVES.
- STAINLESS STEEL PRODUCTS CAN BE CLEANED WITH MILD SOAP AND WATER. STAINLESS STEEL POLISH SHOULD BE USED TO POLISH SMALL SCRATCHES.
- GLOSS BLACK FINISHES SHOULD BE CLEANED WITH MILD SOAP AND WATER.

**WESTIN** Westin Automotive Products, Inc.  
320 W. Covina Blvd  
San Dimas, Ca. 91773

Thank you for choosing Westin products  
for additional installation assistance please call  
Customer Service (800) 793-7846  
www.westinautomotive.com



## WARNING



Failure to follow these instructions could lead to death, personal injury, and / or property damage.

Failure to follow these instructions could lead to death, personal injury, and / or property damage.

### FASTENERS:

All Westin supplied fasteners must be utilized and installed in accordance with the installation instructions and apply torque to the specifications as defined. **DOUBLE CHECK ALL FASTENERS BEFORE INITIAL USE, AND PERIODICALLY IN THE FUTURE TO ENSURE PROPER FUNCTION AND SAFETY.**

### DRILLING:

Most Westin products do not require drilling for installation. If drilling is defined as required, use caution when drilling a vehicle. **FAILURE TO REVIEW AN AREA TO BE DRILLED MAY RESULT IN PERSONAL INJURY AND/OR INJURY TO OTHERS AS WELL AS VEHICLE DAMAGE.**

### EYE PROTECTION:

**ALWAYS WEAR SAFETY GLASSES OR GOGGLES DURING THE INSTALLATION PROCESS TO AVOID PERSONAL INJURY.**

### MAXIMUM TOWING/CARRYING CAPACITY: (if applicable)

The Westin Receiver Hitches will have a visible tow rating label affixed directly on the product. User should never exceed the vehicle manufacturers maximum tow and weight rating regardless of the capacity of the hitch. **FAILURE TO FOLLOW THESE GUIDELINES WILL VOID THE WESTIN WARRANTY AND MAY RESULT IN PERSONAL INJURY AND/OR INJURY TO OTHERS AS WELL AS VEHICLE DAMAGE.**

### FOR CALIFORNIA RESIDENTS ONLY-PROP 65 WARNING:

Some products may contain chemicals such as DEHP, which can cause cancer, birth defects or other reproductive harm. For more info go to [www.p65warnings.ca.gov](http://www.p65warnings.ca.gov)



Westin Automotive Products, Inc.  
320 W. Covina Blvd  
San Dimas, Ca. 91773