

INSTALLATION INSTRUCTIONS

6" PREMIER & 4" OVAL TUBE STEP BAR MOUNT KIT



APPLICATION:

2014-2018 Chevrolet Silverado / GMC Sierra 1500 Double/Crew Cab
 2015-2019 Chevrolet Silverado / GMC Sierra 2500/3500 Double/Crew Cab
 2019 Chevrolet Silverado LD; 2019 GMC Sierra 1500 Limited

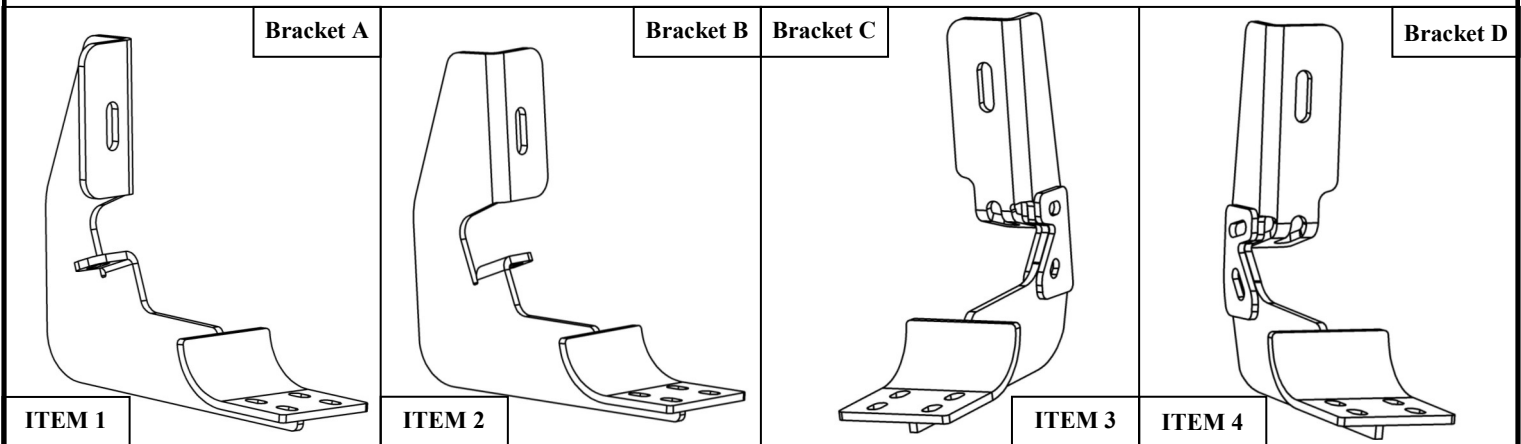
MOUNT KIT: 22-2015

Works with Step Bars: 22-6040, 22-6045, 22-6020, 22-6025, 22-5040, 22-5045, 22-5020, 22-5025 (Step Bars sold separately)

GASOLINE TRUCK INSTALLATION ONLY SEE PAGE 5 FOR DIESEL TRUCK INSTALLATION

ITEM	QUANTITY	DESCRIPTION	TOOLS NEEDED
1	2	MOUNT BRACKET A	13MM SOCKET
2	2	MOUNT BRACKET B	13MM WRENCH
3	1	MOUNT BRACKET C	10MM SOCKET
4	1	MOUNT BRACKET D	RATCHET
5	12	M8 HEX CAP SCREW (YELLOW ZINC)	TORQUE WRENCH
6	12	M8 FLAT WASHER (YELLOW ZINC)	
7	12	M8 LOCK WASHER (YELLOW ZINC)	
8	12	M8 NUT CLIP	

ANTI-SEIZE LUBRICANT MUST BE USED ON ALL STAINLESS STEEL FASTENERS TO PREVENT THREAD DAMAGE AND GALLING



PROCEDURE

- Remove contents from box, verify if all parts listed are present and free from damage.
 Carefully read and understand all instructions before attempting installation.
Failure to identify damage before installation could lead to a rejection of any claim.
- Proceed to the passenger side rocker panel and locate the black rubber plugs and remove them see **Figure 1**. For bracket C (Item 3) mount location, install M8 nut clip (Item 8) as shown in **Figure 2**. Proceed to install the remaining M8 nut clips as shown in **Figure 3**.

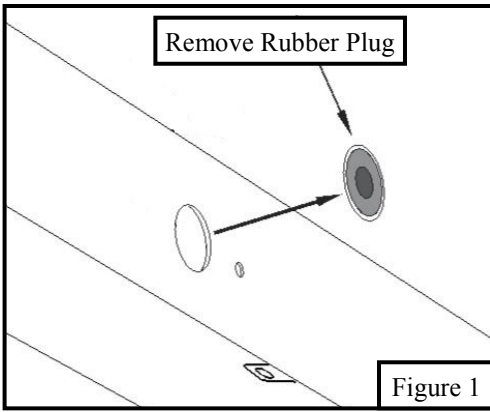


Figure 1

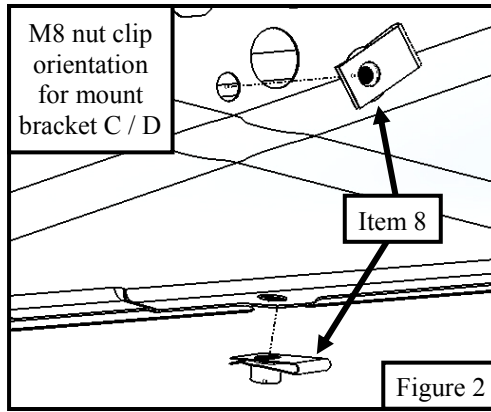


Figure 2

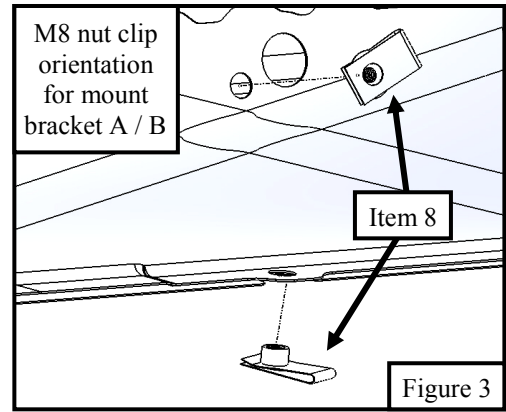
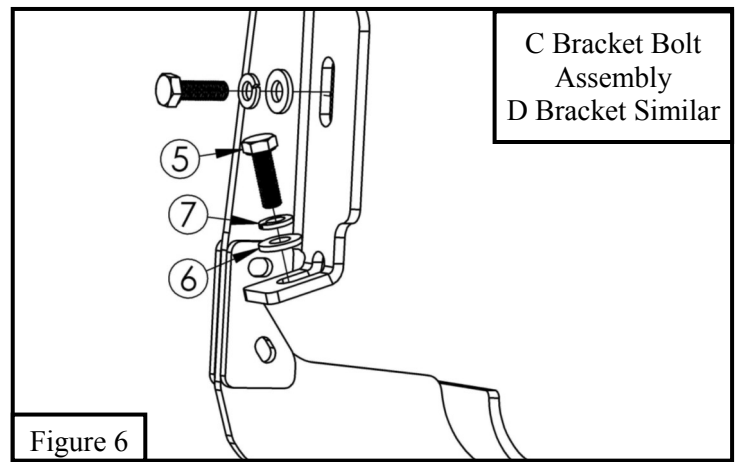
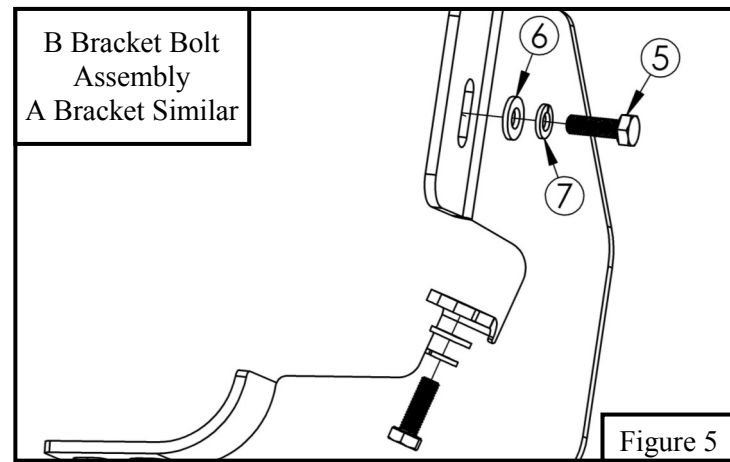
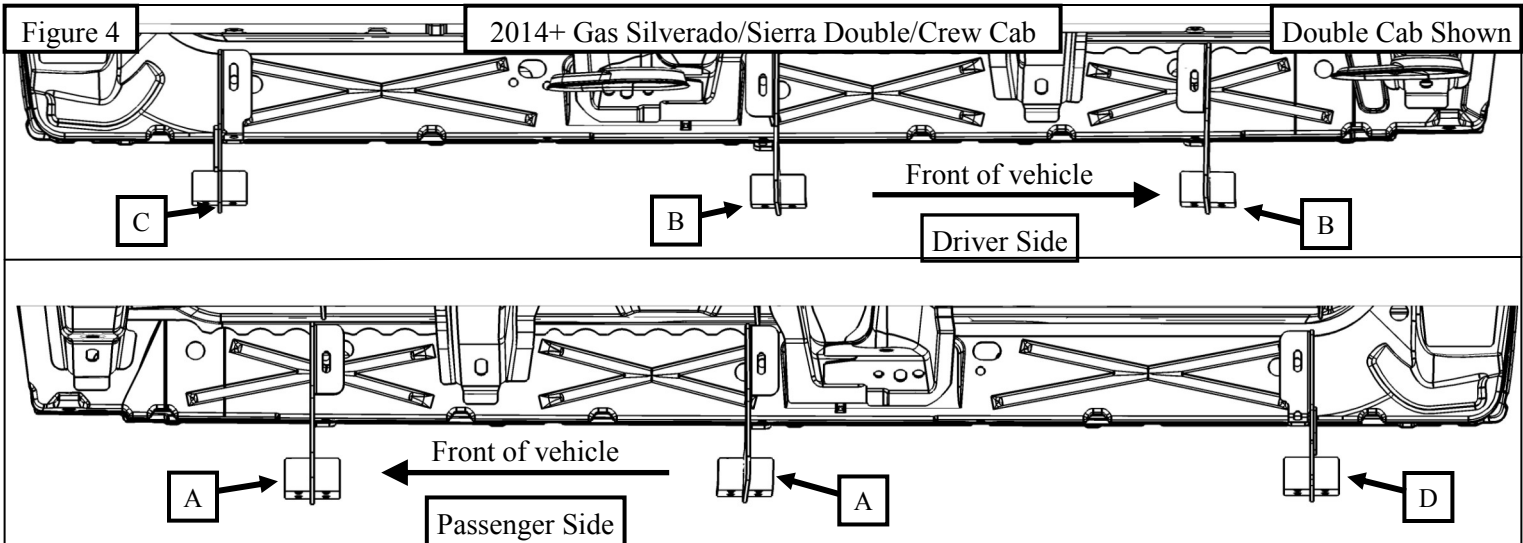


Figure 3

3. Take the mounting brackets and install the bracket and associated hardware loosely to its corresponding positions see **Figures 4, 5, and 6**. Do not fully tighten hardware at this time. **Note:** On 1500 crew cab models, front positions will have a welded nut on pinch weld and must refer to **Figure 4** for bracket installation.



4. See Step Bar Instructions (Step Bars sold separately) for information on attaching the bars to the brackets.
5. Make sure the mounting brackets and step bar are aligned then proceed to fully tighten all hardware. Recommended torque values are 15-18 ft-lbs for M8 hex head bolts and 5-7 ft-lbs for M6 fasteners.



Care Instructions

- REGULAR WAXING IS RECOMMENDED. DO NOT USE ANY TYPE OF POLISH OR WAX THAT MAY CONTAIN ABRASIVES.
- STAINLESS STEEL PRODUCTS CAN BE CLEANED WITH MILD SOAP AND WATER. STAINLESS STEEL POLISH SHOULD BE USED TO POLISH SMALL SCRATCHES.
- GLOSS BLACK FINISHES SHOULD BE CLEANED WITH MILD SOAP AND WATER.

WESTIN

Westin Automotive Products, Inc.
320 W. Covina Blvd
San Dimas, Ca. 91773

Thank you for choosing Westin products
for additional installation assistance please call
Customer Service (800) 793-7846

www.westinautomotive.com



WARNING



Failure to follow these instructions could lead to death, personal injury, and / or property damage.

Failure to follow these instructions could lead to death, personal injury, and / or property damage.

FASTENERS:

All Westin supplied fasteners must be utilized and installed in accordance with the installation instructions and apply torque to the specifications as defined. **DOUBLE CHECK ALL FASTENERS BEFORE INITIAL USE, AND PERIODICALLY IN THE FUTURE TO ENSURE PROPER FUNCTION AND SAFETY.**

DRILLING:

Most Westin products do not require drilling for installation. If drilling is defined as required, use caution when drilling a vehicle. **FAILURE TO REVIEW AN AREA TO BE DRILLED MAY RESULT IN PERSONAL INJURY AND/OR INJURY TO OTHERS AS WELL AS VEHICLE DAMAGE.**

EYE PROTECTION:

ALWAYS WEAR SAFETY GLASSES OR GOGGLES DURING THE INSTALLATION PROCESS TO AVOID PERSONAL INJURY.

MAXIMUM TOWING/CARRYING CAPACITY: (if applicable)

The Westin Receiver Hitches will have a visible tow rating label affixed directly on the product. User should never exceed the vehicle manufacturers maximum tow and weight rating regardless of the capacity of the hitch. **FAILURE TO FOLLOW THESE GUIDELINES WILL VOID THE WESTIN WARRANTY AND MAY RESULT IN PERSONAL INJURY AND/OR INJURY TO OTHERS AS WELL AS VEHICLE DAMAGE.**

FOR CALIFORNIA RESIDENTS ONLY-PROP 65 WARNING:

Some products may contain chemicals such as DEHP, which can cause cancer, birth defects or other reproductive harm. For more info go to www.p65warnings.ca.gov



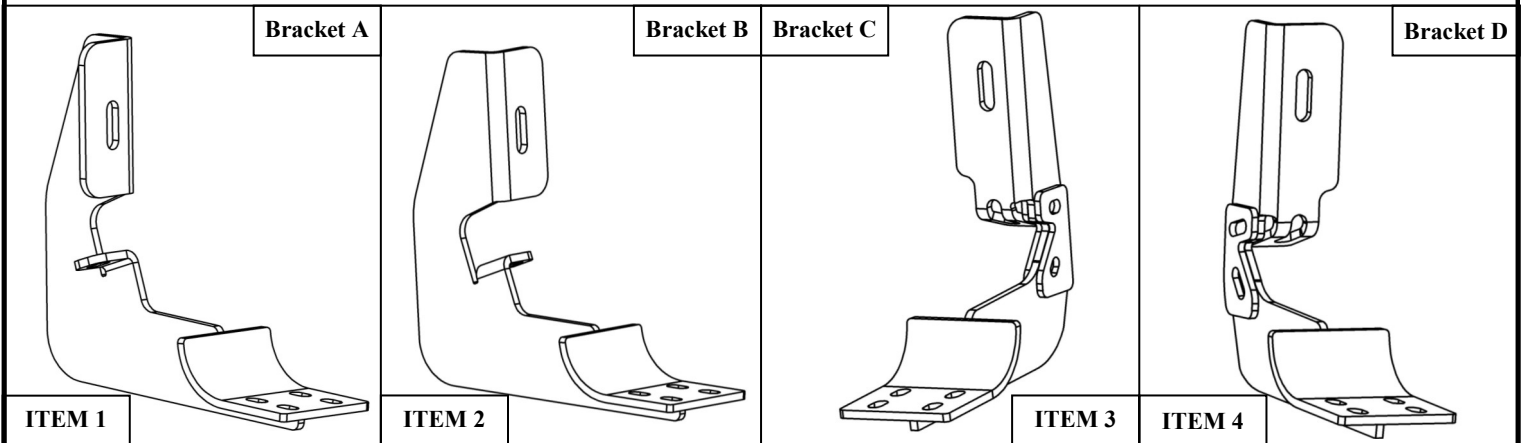
Westin Automotive Products, Inc.
320 W. Covina Blvd
San Dimas, Ca. 91773

DIESEL TRUCK INSTALLATION ONLY

SEE PAGE 1 FOR GASOLINE TRUCK INSTALLATION

ITEM	QUANTITY	DESCRIPTION	TOOLS NEEDED
1	2	MOUNT BRACKET A	13MM SOCKET
2	2	MOUNT BRACKET B	13MM WRENCH
3	1	MOUNT BRACKET C	10MM SOCKET
4	1	MOUNT BRACKET D	RATCHET
5	12	M8 HEX CAP SCREW (YELLOW ZINC)	TORQUE WRENCH
6	12	M8 FLAT WASHER (YELLOW ZINC)	
7	12	M8 LOCK WASHER (YELLOW ZINC)	
8	12	M8 NUT CLIP	

ANTI-SEIZE LUBRICANT MUST BE USED ON ALL STAINLESS STEEL FASTENERS TO PREVENT THREAD DAMAGE AND GALLING



PROCEDURE

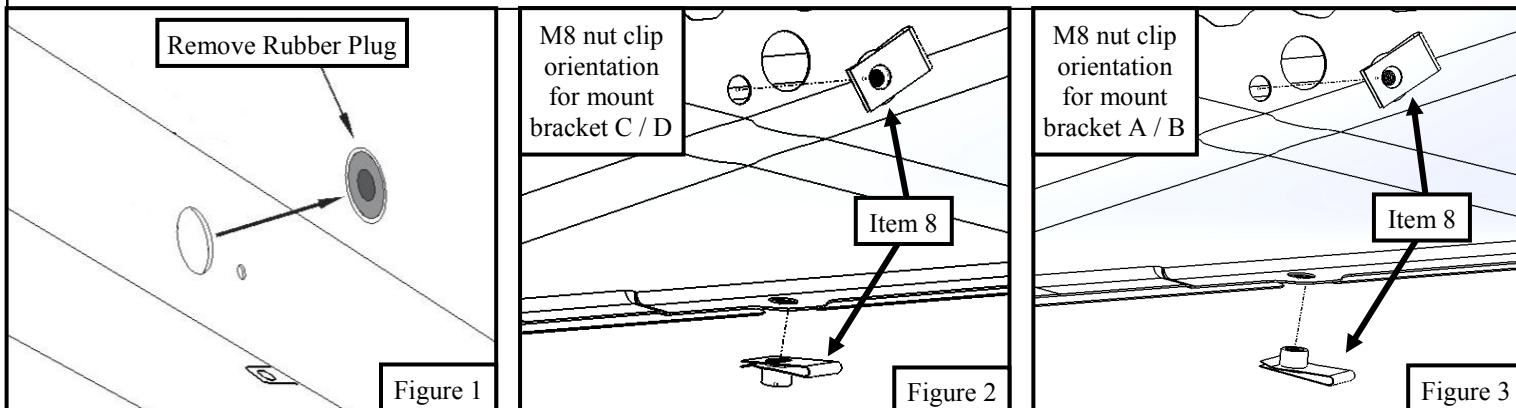
- Remove contents from box, verify if all parts listed are present and free from damage.
Carefully read and understand all instructions before attempting installation.
Failure to identify damage before installation could lead to a rejection of any claim.
- Proceed to the passenger side rocker panel and locate the black rubber plugs and remove them see **Figure 1**. For bracket C (Item 3) mount location, install M8 nut clip (Item 8) as shown in **Figure 2**. Proceed to install the remaining M8 nut clips as shown in **Figure 3**.

PROCEDURE

1. Remove contents from box, verify if all parts listed are present and free from damage. Carefully read and understand all instructions before attempting installation.

Failure to identify damage before installation could lead to a rejection of any claim.

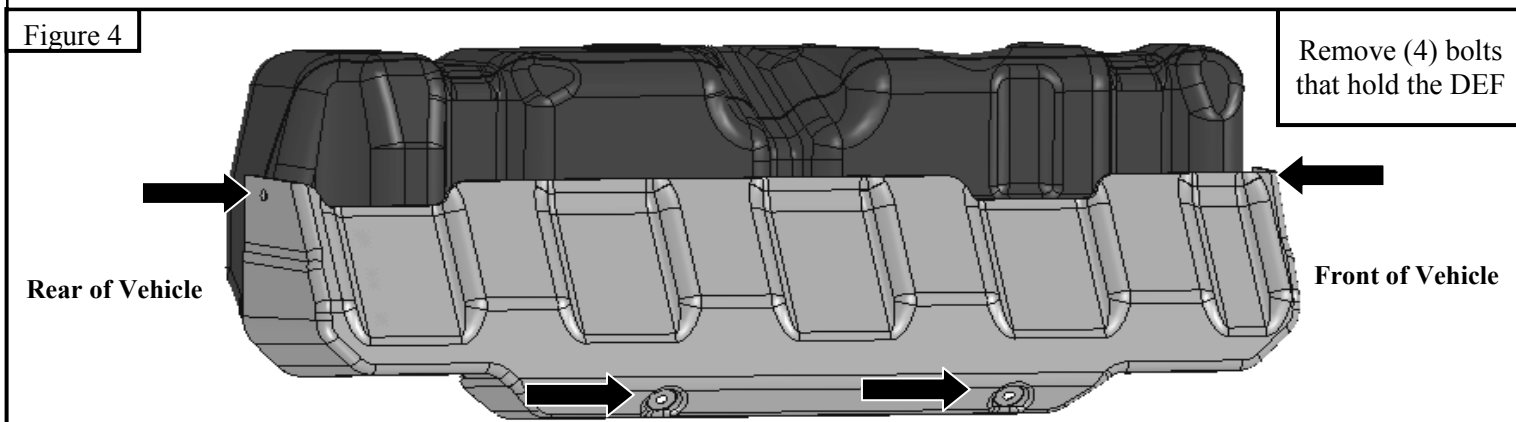
2. Proceed to the passenger side rocker panel and locate the black rubber plugs and remove them see **Figure 1**. For bracket C (Item 3) mount location, install M8 nut clip (Item 8) as shown in **Figure 2**. Proceed to install the remaining M8 nut clips as shown in **Figure 3**.



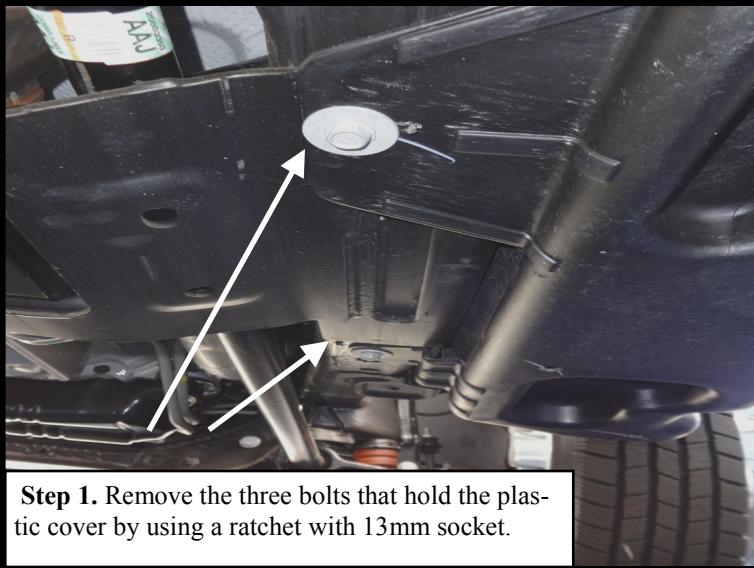
For 2015-2016 Diesel equipped models: The DEF tank must be removed prior to installing the brackets on the passenger side. For DEF tank removal instructions please refer to **page 7**.

For 2017-2019 Diesel equipped models: *DEF tank removal is not necessary for 2017-2019 diesel equipped models.* Only need to remove DEF tank plastic cover in order to install mount brackets. Refer to **Step 3**.

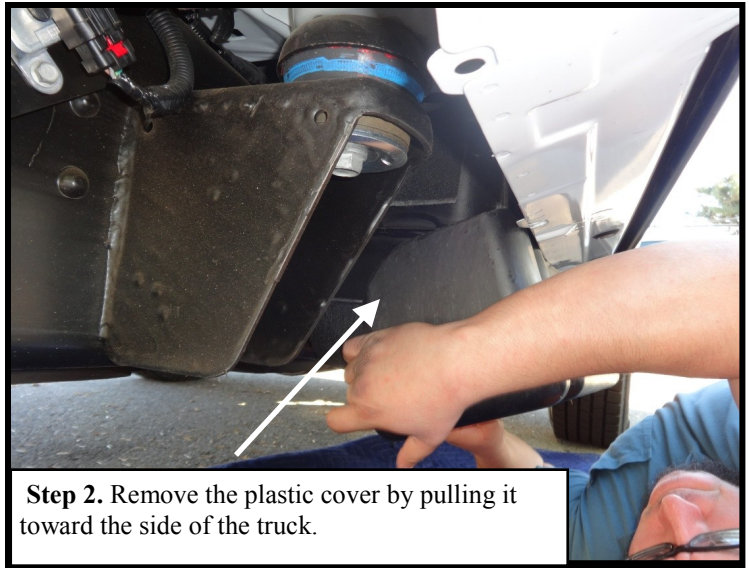
3. Using a 10MM wrench, remove the four bolts that hold the DEF tank plastic cover to the vehicle. See **Figure 4**.
4. Take the mounting brackets and install the bracket and associated hardware loosely to it's corresponding positions see **Figures 5, 6, and 7**. Brackets used for the passenger side are (1) bracket C (Item 3), (1) bracket D (Item 4) and (2) bracket B (Item 2). The driver side will use the remaining (2) bracket B and (2) bracket A (Item 1). Do not fully tighten hardware at this time. **Note:** Bracket location is critical.



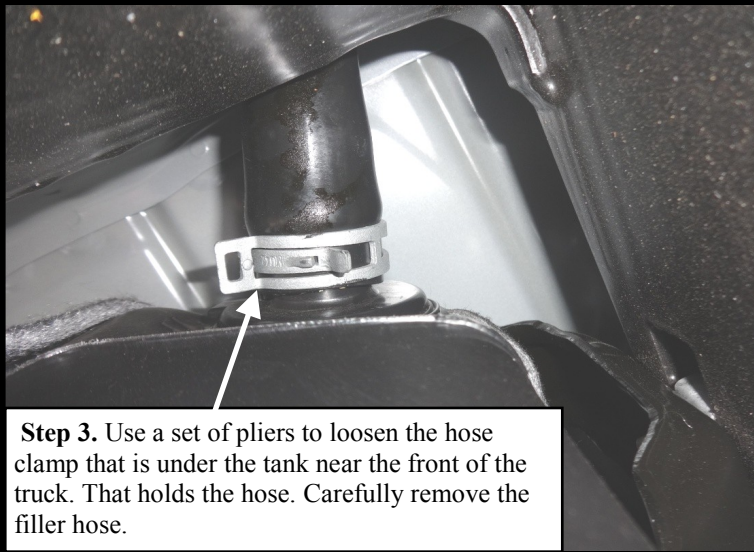
**DEF TANK REMOVAL INSTRUCTIONS FOR 2015-2016
(NOT REQUIRED FOR 2017-2019)**



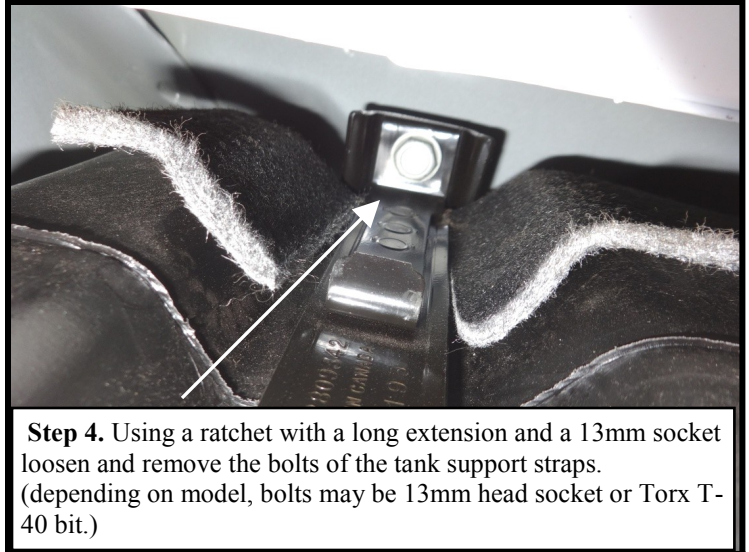
Step 1. Remove the three bolts that hold the plastic cover by using a ratchet with 13mm socket.



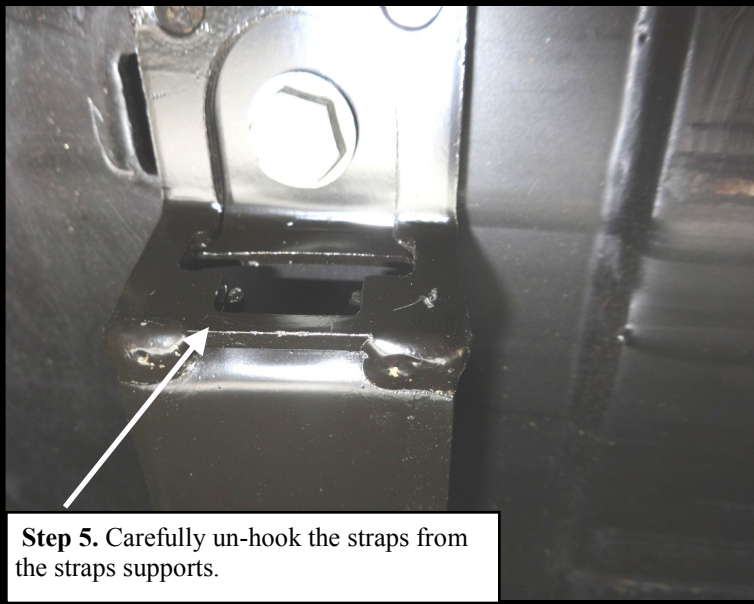
Step 2. Remove the plastic cover by pulling it toward the side of the truck.



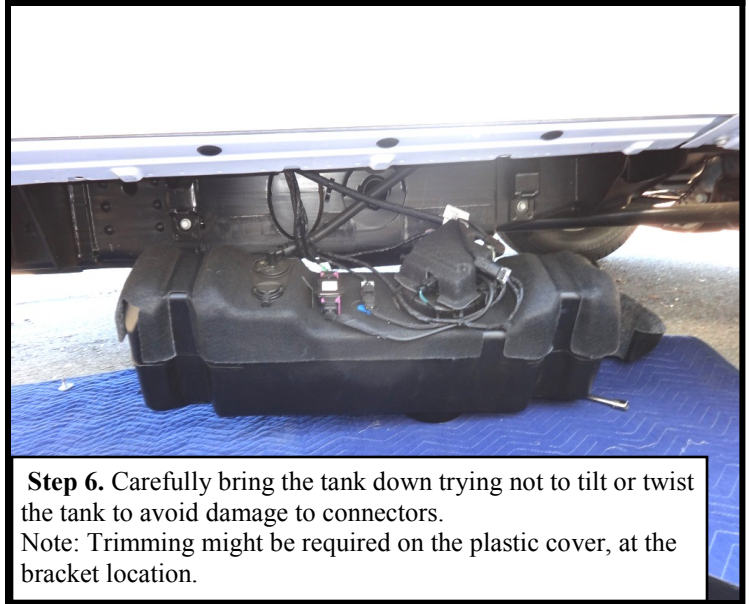
Step 3. Use a set of pliers to loosen the hose clamp that is under the tank near the front of the truck. That holds the hose. Carefully remove the filler hose.



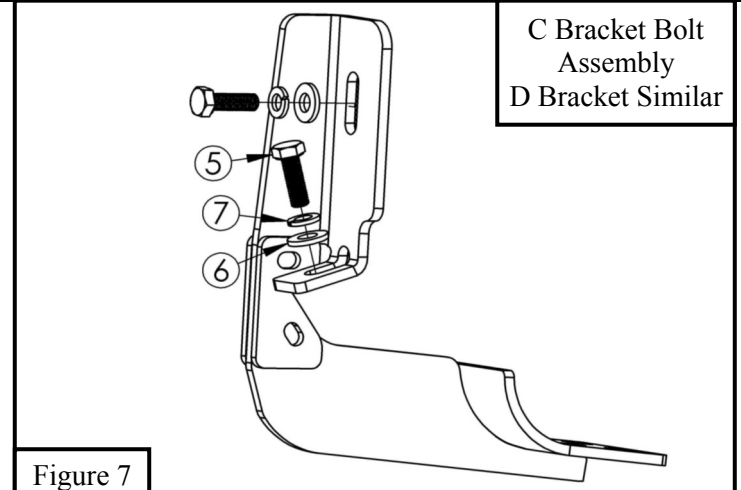
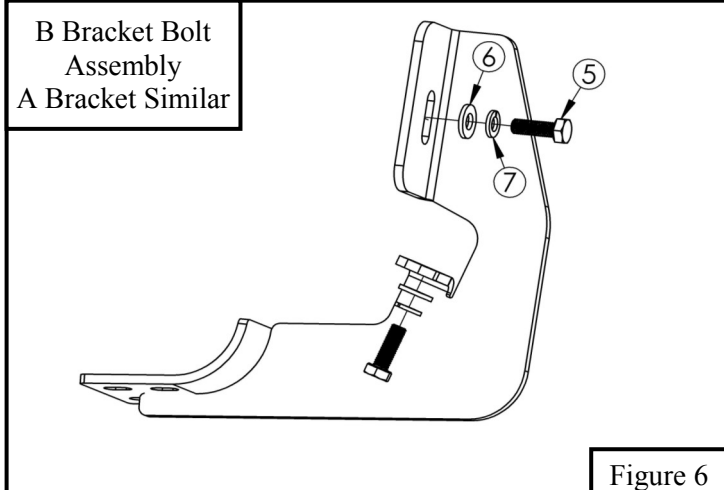
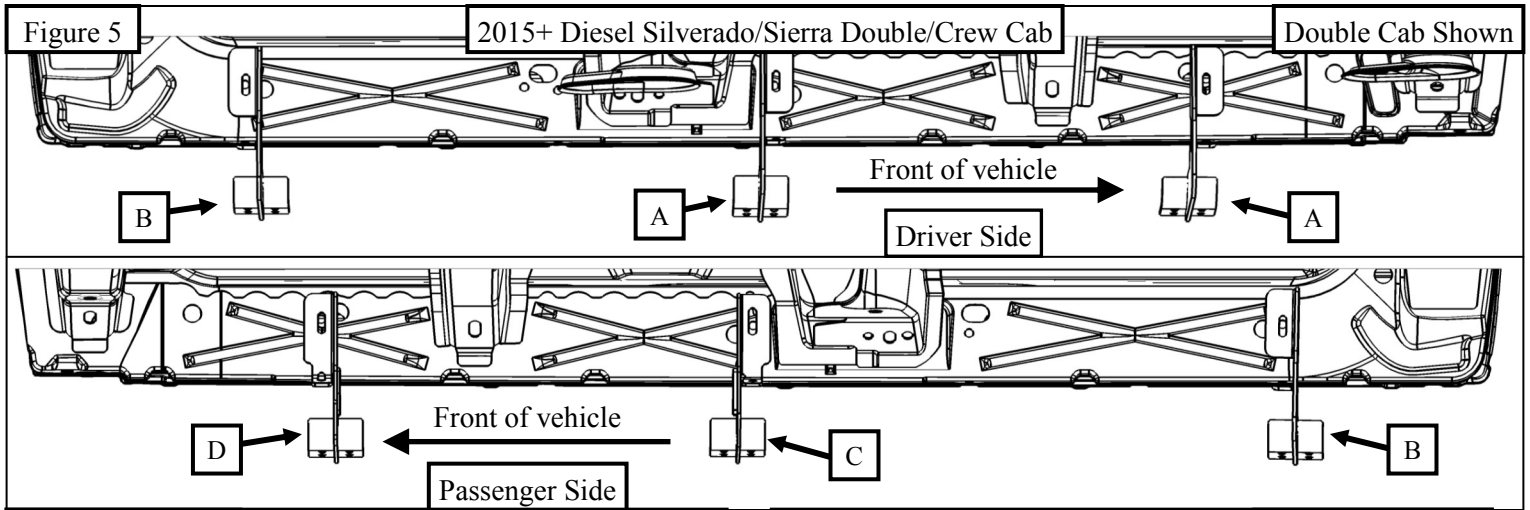
Step 4. Using a ratchet with a long extension and a 13mm socket loosen and remove the bolts of the tank support straps. (depending on model, bolts may be 13mm head socket or Torx T-40 bit.)



Step 5. Carefully un-hook the straps from the straps supports.



Step 6. Carefully bring the tank down trying not to tilt or twist the tank to avoid damage to connectors.
Note: Trimming might be required on the plastic cover, at the bracket location.



5. **For 2017 Diesel equipped models:** Proceed to reinstall DEF tank plastic cover.
6. **For 2015-2016 Diesel equipped models:** Proceed to reinstall the DEF tank.
7. See Step Bar Instructions (Step Bars sold separately) for information on attaching the bars to the brackets.
8. Make sure the mounting brackets and step bar are aligned then proceed to fully tighten all hardware. Recommended torque values are 15-18 ft-lbs for M8 hex head bolts.



Care Instructions

- REGULAR WAXING IS RECOMMENDED. DO NOT USE ANY TYPE OF POLISH OR WAX THAT MAY CONTAIN ABRASIVES.
- STAINLESS STEEL PRODUCTS CAN BE CLEANED WITH MILD SOAP AND WATER. STAINLESS STEEL POLISH SHOULD BE USED TO POLISH SMALL SCRATCHES.
- GLOSS BLACK FINISHES SHOULD BE CLEANED WITH MILD SOAP AND WATER.

WESTIN

Westin Automotive Products, Inc.
320 W. Covina Blvd
San Dimas, Ca. 91773

Thank you for choosing Westin products
for additional installation assistance please call
Customer Service (800) 793-7846

www.westinautomotive.com



WARNING



Failure to follow these instructions could lead to death, personal injury, and / or property damage.

Failure to follow these instructions could lead to death, personal injury, and / or property damage.

FASTENERS:

All Westin supplied fasteners must be utilized and installed in accordance with the installation instructions and apply torque to the specifications as defined. **DOUBLE CHECK ALL FASTENERS BEFORE INITIAL USE, AND PERIODICALLY IN THE FUTURE TO ENSURE PROPER FUNCTION AND SAFETY.**

DRILLING:

Most Westin products do not require drilling for installation. If drilling is defined as required, use caution when drilling a vehicle. **FAILURE TO REVIEW AN AREA TO BE DRILLED MAY RESULT IN PERSONAL INJURY AND/OR INJURY TO OTHERS AS WELL AS VEHICLE DAMAGE.**

EYE PROTECTION:

ALWAYS WEAR SAFETY GLASSES OR GOGGLES DURING THE INSTALLATION PROCESS TO AVOID PERSONAL INJURY.

MAXIMUM TOWING/CARRYING CAPACITY: (if applicable)

The Westin Receiver Hitches will have a visible tow rating label affixed directly on the product. User should never exceed the vehicle manufacturers maximum tow and weight rating regardless of the capacity of the hitch. **FAILURE TO FOLLOW THESE GUIDELINES WILL VOID THE WESTIN WARRANTY AND MAY RESULT IN PERSONAL INJURY AND/OR INJURY TO OTHERS AS WELL AS VEHICLE DAMAGE.**

FOR CALIFORNIA RESIDENTS ONLY-PROP 65 WARNING:

Some products may contain chemicals such as DEHP, which can cause cancer, birth defects or other reproductive harm. For more info go to www.p65warnings.ca.gov



Westin Automotive Products, Inc.
320 W. Covina Blvd
San Dimas, Ca. 91773