

INSTALLATION INSTRUCTIONS



GASOLINE TRUCKS ONLY

6" PREMIER & 4" OVAL TUBE STEP BAR MOUNT KIT

APPLICATION:

2014-2017 Chevrolet Silverado / GMC Sierra 1500 Reg. Cab

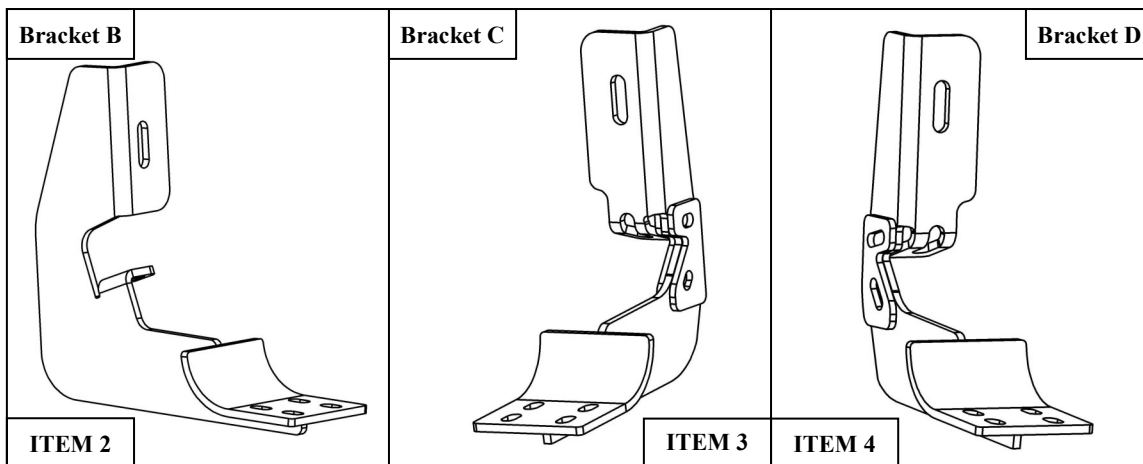
2015-2017 Chevrolet Silverado / GMC Sierra 2500/3500 Reg. Cab

MOUNT KIT: 22-2005

6" Premier Oval: 22-6000, 22-6005 4" Oval: 22-5000, 22-5005

ITEM	QUANTITY	DESCRIPTION	TOOLS NEEDED
1	2	STEP BAR (SOLD SEPARATELY)	13MM SOCKET
2	2	MOUNT BRACKET B	13MM WRENCH
3	1	MOUNT BRACKET C	10MM SOCKET
4	1	MOUNT BRACKET D	RATCHET
5	8	M8 HEX CAP SCREW (YELLOW ZINC)	TORQUE WRENCH
6	8	M8 FLAT WASHER (YELLOW ZINC)	
7	8	M8 LOCK WASHER (YELLOW ZINC)	
8	8	M8 EXTRUDED U-NUT	
9	4	M6 BOLT PLATE (INCLUDED WITH STEP BARS)	
10	16	M6 FLAT WASHER (INCLUDED WITH STEP BARS)	
11	16	M6 NYLON LOCK NUTS (INCLUDED WITH STEP BARS)	

ANTI-SEIZE LUBRICANT MUST BE USED ON ALL STAINLESS STEEL FASTENERS TO PREVENT THREAD DAMAGE AND GALLING



PROCEDURE

1. Remove contents from box, verify if all parts listed are present and free from damage. Carefully read and understand all instructions before attempting installation. **Failure to identify damage before installation could lead to a rejection of any claim.**
2. Locate on each rocker panel the black rubber plugs and remove them. See **Figure 1**. Install the M8 nut clips (Item 8) as shown in **Figure 3** for bracket B (Item 2). For the bracket C (Item 3) and bracket D (Item 4) mount location, install M8 clip as shown in **Figure 2**.

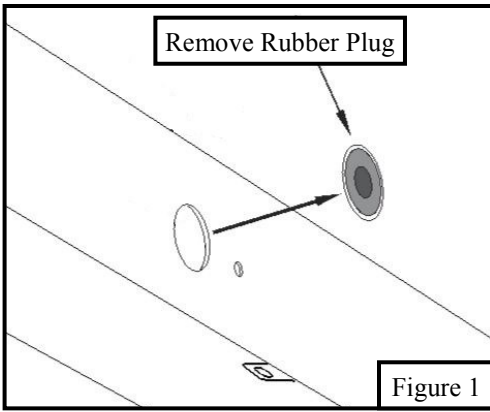


Figure 1

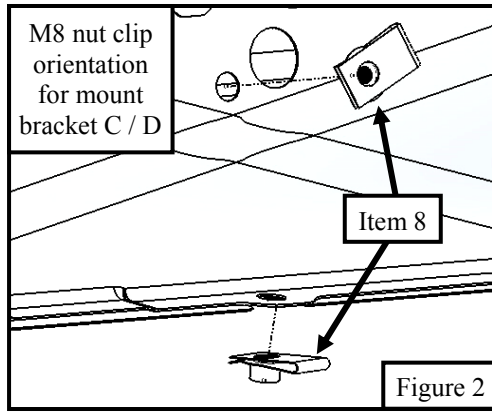


Figure 2

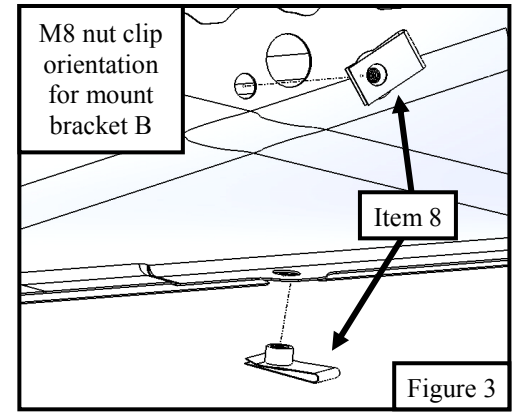


Figure 3

3. Take the mounting brackets and install the bracket and associated hardware loosely to its corresponding positions see **Figures 4, 5, 6, and 7**. Brackets used for passenger side are (1) bracket C (Item 3) and (1) bracket D (Item 4). The driver side will use the remaining (2) bracket B (Item 2). Do not fully tighten hardware at this time. **Note:** bracket location is critical.

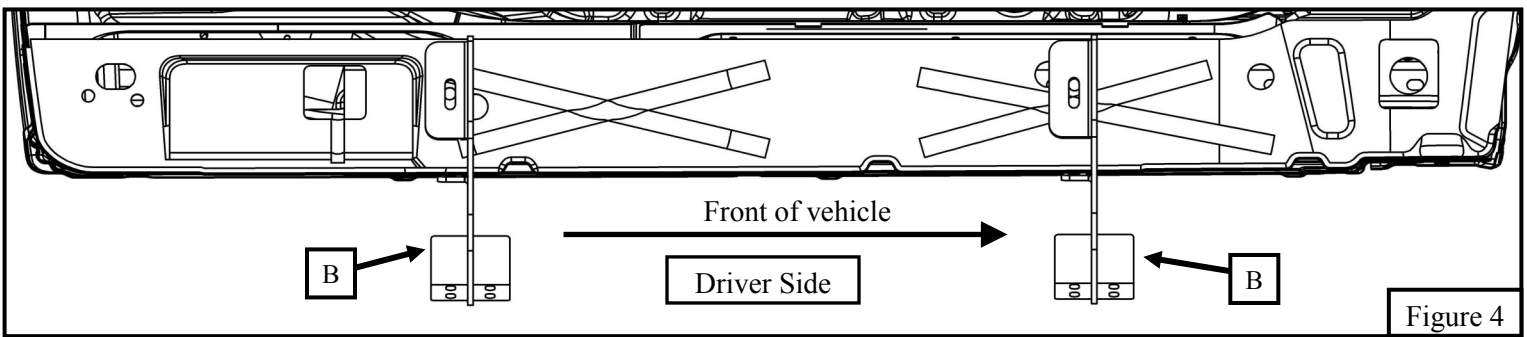


Figure 4

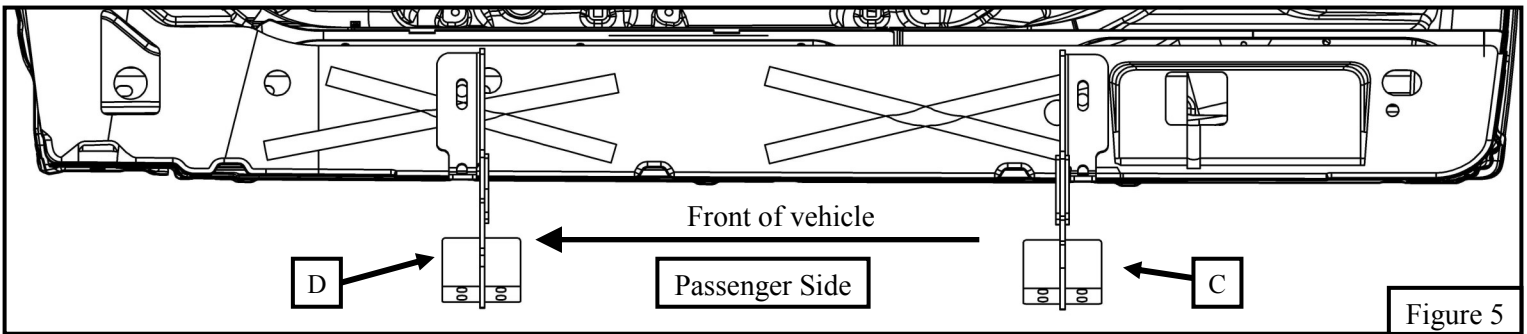


Figure 5

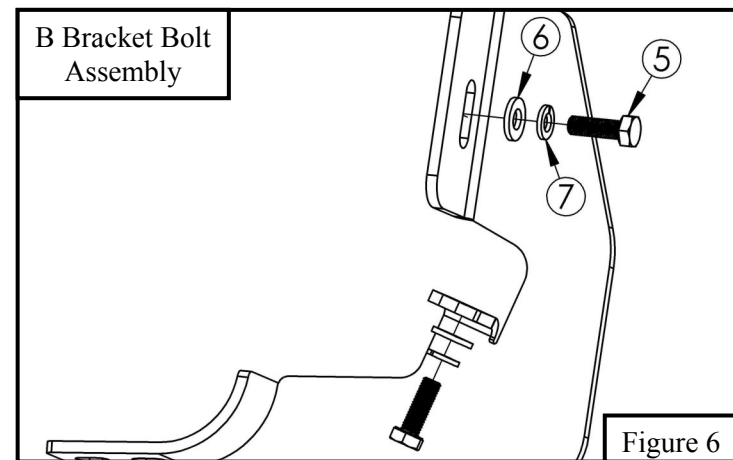


Figure 6

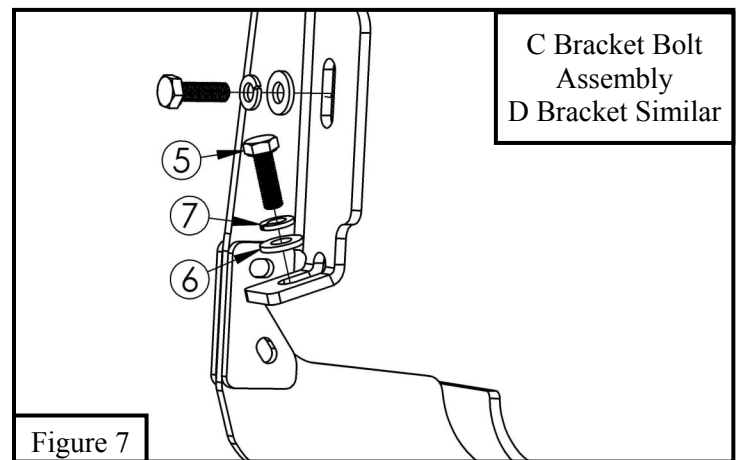
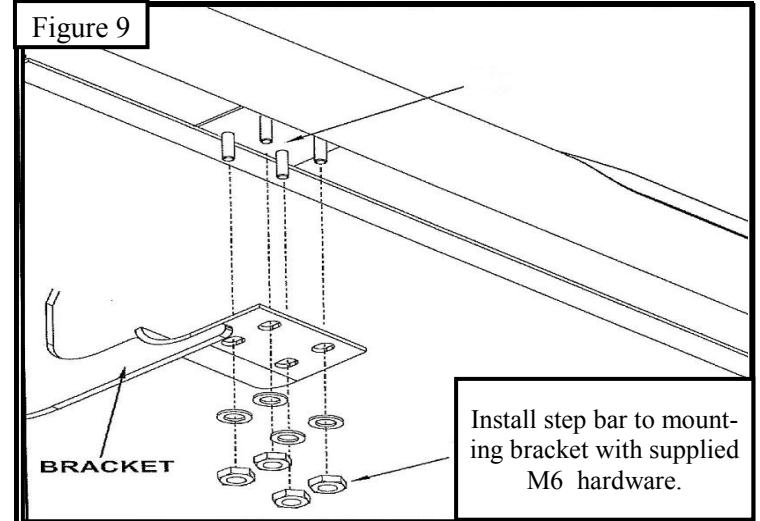
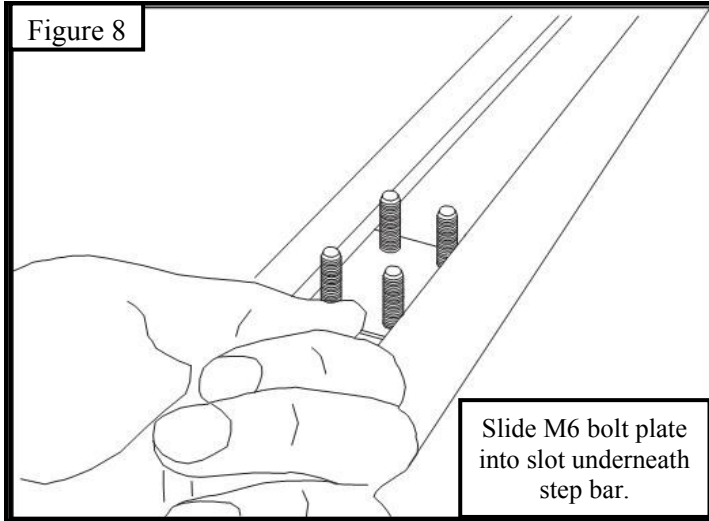


Figure 7

4. Carefully install (2) M6 bolt plates (included with step bars) into the bottom of the step bar as shown see **Figure 8**. Place step bar onto bracket saddle and align the bolt plate to the saddle slot holes as shown see **Figure 9**. Once fully aligned, assemble with M6 fasteners see **Figure 9**.
5. Make sure the mounting brackets and step bar are aligned then proceed to fully tighten all hardware. Recommended torque values are 15-18 ft-lbs. for M8 hex head bolts and 5-7 ft-lbs. for M6 fasteners.



Care Instructions

- REGULAR WAXING IS RECOMMENDED. DO NOT USE ANY TYPE OF POLISH OR WAX THAT MAY CONTAIN ABRASIVES.
- STAINLESS STEEL PRODUCTS CAN BE CLEANED WITH MILD SOAP AND WATER. STAINLESS STEEL POLISH SHOULD BE USED TO POLISH SMALL SCRATCHES.
- GLOSS BLACK FINISHES SHOULD BE CLEANED WITH MILD SOAP AND WATER.

WESTIN Westin Automotive Products, Inc.
320 W. Covina Blvd
San Dimas, Ca. 91773

Thank you for choosing Westin products
for additional installation assistance please call
Customer Service (800) 793-7846



WARNING



Failure to follow these instructions could lead to death, personal injury, and / or property damage.

FASTENERS:

All Westin supplied fasteners must be utilized and installed in accordance with the installation instructions and apply torque to the specifications as defined. **DOUBLE CHECK ALL FASTENERS BEFORE INITIAL USE, AND PERIODICALLY IN THE FUTURE TO ENSURE PROPER FUNCTION AND SAFETY.**

DRILLING:

Most Westin products do not require drilling for installation. If drilling is defined as required, use caution when drilling a vehicle. **FAILURE TO REVIEW AN AREA TO BE DRILLED MAY RESULT IN PERSONAL INJURY AND/OR INJURY TO OTHERS AS WELL AS VEHICLE DAMAGE.**

EYE PROTECTION:

ALWAYS WEAR SAFETY GLASSES OR GOGGLES DURING THE INSTALLATION PROCESS TO AVOID PERSONAL INJURY.

MAXIMUM TOWING/CARRYING CAPACITY:

The Westin Receiver Hitches will have a visible tow rating label affixed directly on the product. User should never exceed the vehicle manufacturers maximum tow and weight rating regardless of the capacity of the hitch. **FAILURE TO FOLLOW THESE GUIDELINES WILL VOID THE WESTIN WARRANTY AND MAY RESULT IN PERSONAL INJURY AND/OR INJURY TO OTHERS AS WELL AS VEHICLE DAMAGE.**