



# INSTRUCTIONS—INSTRUCCIONES—CONSIGNES

APPLICATION: 07-11 HONDA CRV, 2012-UP HONDA CRV  
APP PART # 23-3480, 23-3485, 23-3780, 23-3785  
E SERIES STEP BARS

AUTOMOTIVE PRODUCTS, INC.

ITEM	QUANTITY	DESCRIPTION	TOOLS NEEDED
1	2	STEP BARS	13MM SOCKET
2,3	2	FRONT MOUNTING BRACKETS (2) DRIVERS SIDE, (3) PASSENGER SIDE	RATCHET
4,5	2	REAR MOUNTING BRACKETS (4) DRIVERS SIDE, (5) PASSENGER SIDE	TORQUE WRENCH
6	20	M8 HEX HEAD BOLTS	
7	20	M8 LOCK WASHERS	
8	20	M8 FLAT WASHERS	

1. REMOVE CONTENTS FROM BOX. VERIFY ALL PARTS ARE PRESENT. READ INSTRUCTIONS CAREFULLY BEFORE STARTING INSTALLATION.
2. Determine driver and passenger Mounting Brackets.
3. Hang the inner side of the driver front Mounting Bracket into position by partially threading (1) M8 x 30mm Hex Head Bolt, (1) M8 Lock Washer, and (1) M8 Flat Washer into factory threaded hole on the frame (Figure 1). NOTE: There are two threaded holes by the front mounting location on the frame, use the one towards the rear of vehicle.
4. Attach the opposite side of the driver front Mounting Bracket to the threaded holes on the floor panel of the vehicle by partially threading (2) M8 x 30mm Hex Head Bolts, (2) M8 Lock Washers, and (2) M8 Flat Washers (Figure 1).
5. Locate and cut out the openings in the driver and passenger side trimming templates with a pair of scissors (Page 3 & 4)
6. Fit the driver's side template onto its respective side plastic rock shields. Position them using two each of the M8 bolts that will later be used to mount the side bar brackets. Transfer the openings in the templates onto the plastic cover using a magic marker.
7. Now remove the rock shield from the undercarriage of the car. The three front screws can be removed with a 10MM socket. The plastic retainer plugs can be removed with a flat blade screwdriver.
8. Using a sharp knife or pair of shears, cut out the shields as marked using the templates (Figure 2).
9. Insert the inner side of driver rear Mounting Bracket through previously cut out hole on the plastic cover. Hang Mounting Bracket by partially threading (1) M8 x 30mm Hex Head Bolt, (1) M8 Lock Washer, and (1) M8 Flat Washer into factory threaded hole on the frame (Figure 3). NOTE: There are two threaded holes on the frame, use the one towards the rear of vehicle.
10. Attach the opposite side on the driver rear Mounting Bracket by partially threading (2) M8 x 30mm Hex Head Bolts, (2) M8 Lock Washers, and (2) M8 Flat Washers into factory threaded holes on the floor panel.
11. Position Driver Side Bar onto Mounting Brackets. Attach Side Bar to Mounting Brackets using the included (4) M8 x 30mm Hex Head Bolts, (4) M8 Lock Washers, and (4) M8 Flat Washers (Figure 1). Do not tighten at this time.
12. Level and adjust Side Bar; then tighten all hardware at this time. Torque all M8 fasteners to 25-30 ft lbs
13. Re-install the rest of fastener on the rock shield.
14. Repeat steps 2-13 for passenger Side Bar.

## CARE INSTRUCTIONS

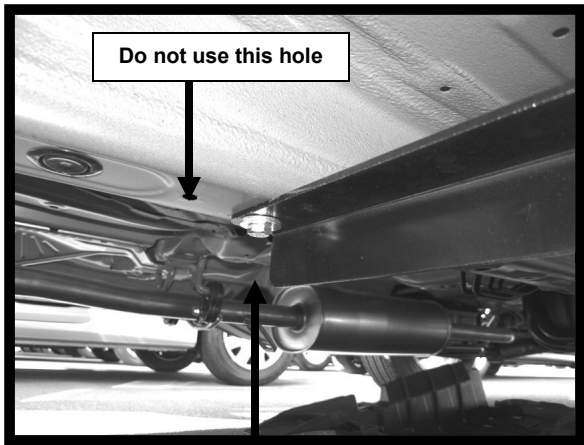
- REGULAR WAXING IS RECOMMENDED. DO NOT USE ANY TYPE OF POLISH OR WAX THAT MAY CONTAIN ABRASIVES
- STAINLESS STEEL PRODUCTS CAN BE CLEANED WITH MILD SOAP AND WATER. STAINLESS STEEL POLISH SHOULD BE USED TO POLISH SMALL SCRATCHES.
- GLOSS BLACK FINISHES SHOULD BE CLEANED WITH MILD SOAP AND WATER



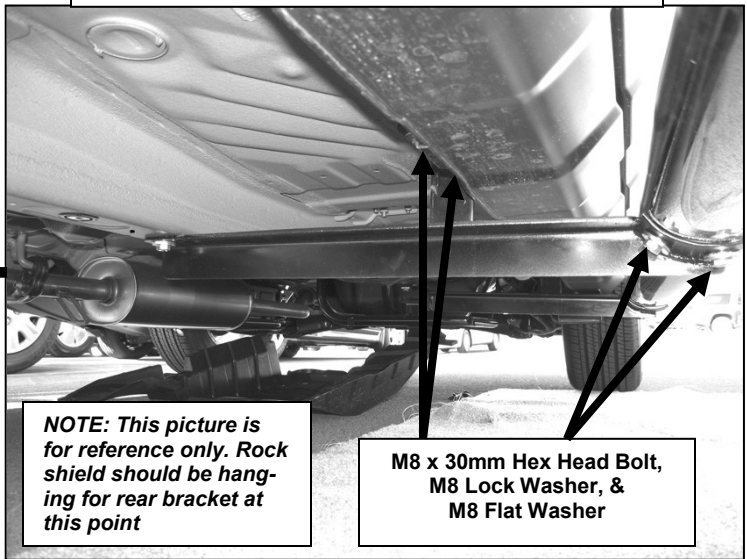
Westing Automotive Products, Inc.  
5200 N. Irwindale Ave. Suite 220  
Irwindale, Ca. 91706

Thank You for choosing Westin products  
For Additional installation assistance please call  
Customer service (800) 793-7846  
[www.westinautomotive.com](http://www.westinautomotive.com)

**Front Driver Side Mounting Bracket Shown**



Do not use this hole



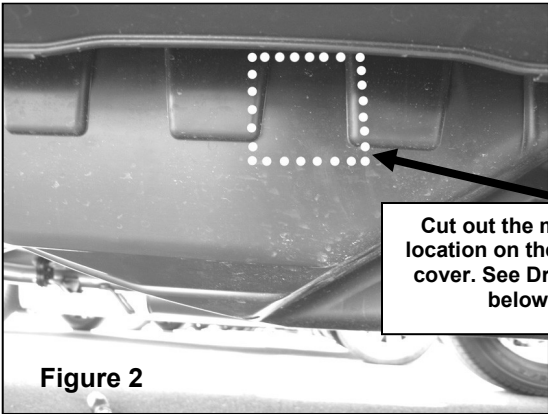
NOTE: This picture is for reference only. Rock shield should be hanging for rear bracket at this point

M8 x 30mm Hex Head Bolt,  
M8 Lock Washer, &  
M8 Flat Washer

M8 x 30mm Hex Head Bolt,  
M8 Lock Washer, &  
M8 Flat Washer

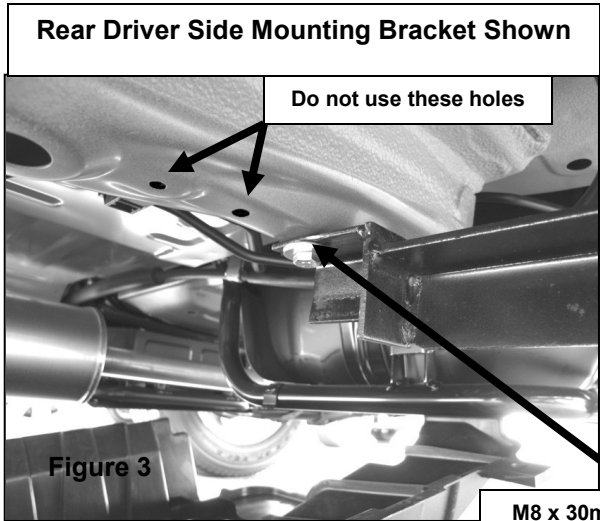
**Figure 1**

**Rear Driver Side Mounting Bracket Shown**



Cut out the marked location on the plastic cover. See Drawings below

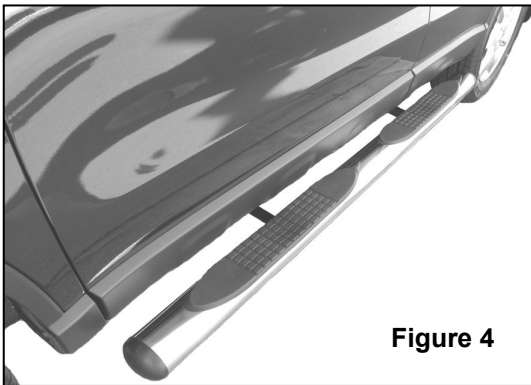
**Figure 2**



Do not use these holes

M8 x 30mm Hex Head Bolt,  
M8 Lock Washer, &  
M8 Flat Washer

**Figure 3**

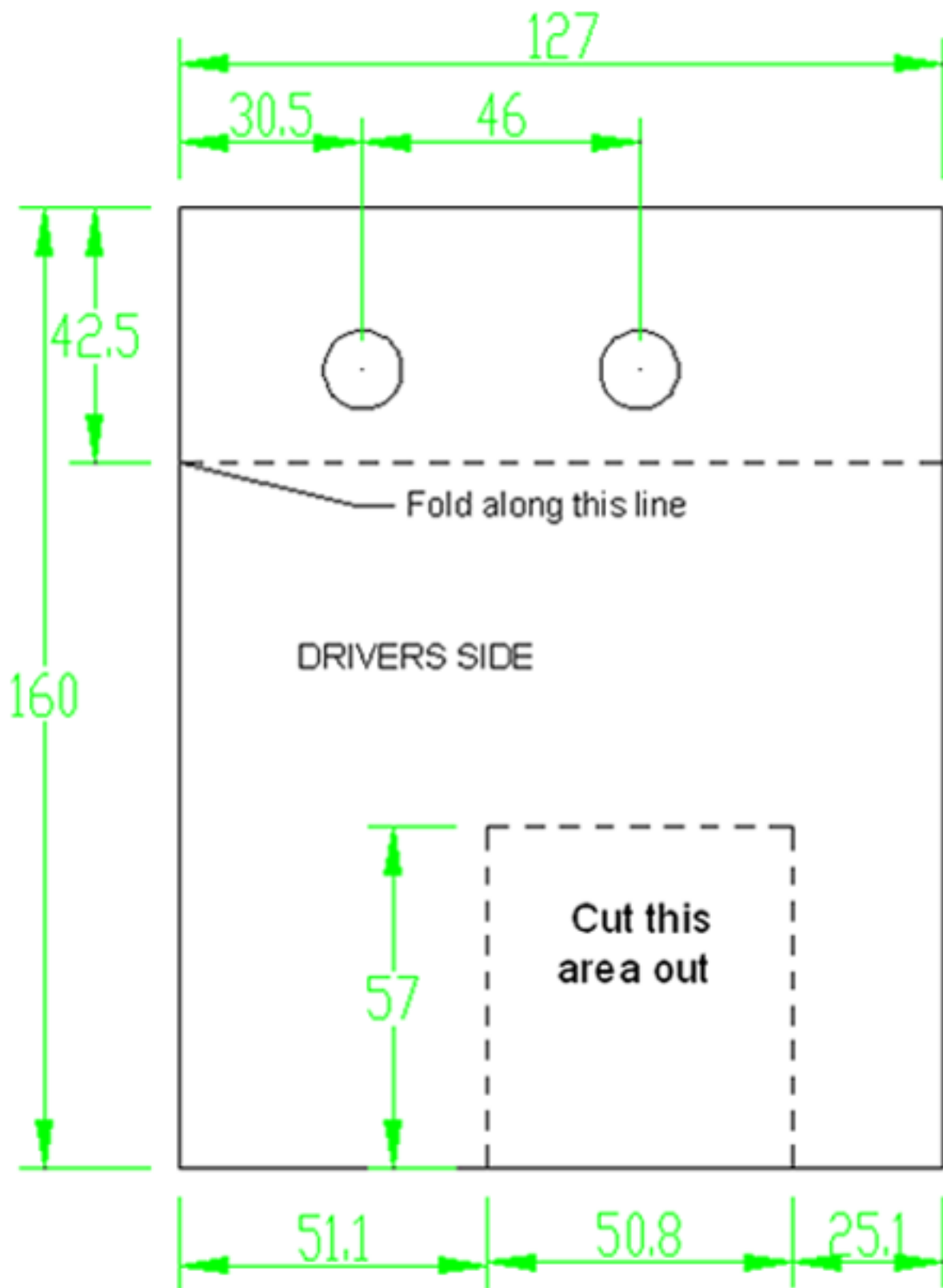


**Figure 4**



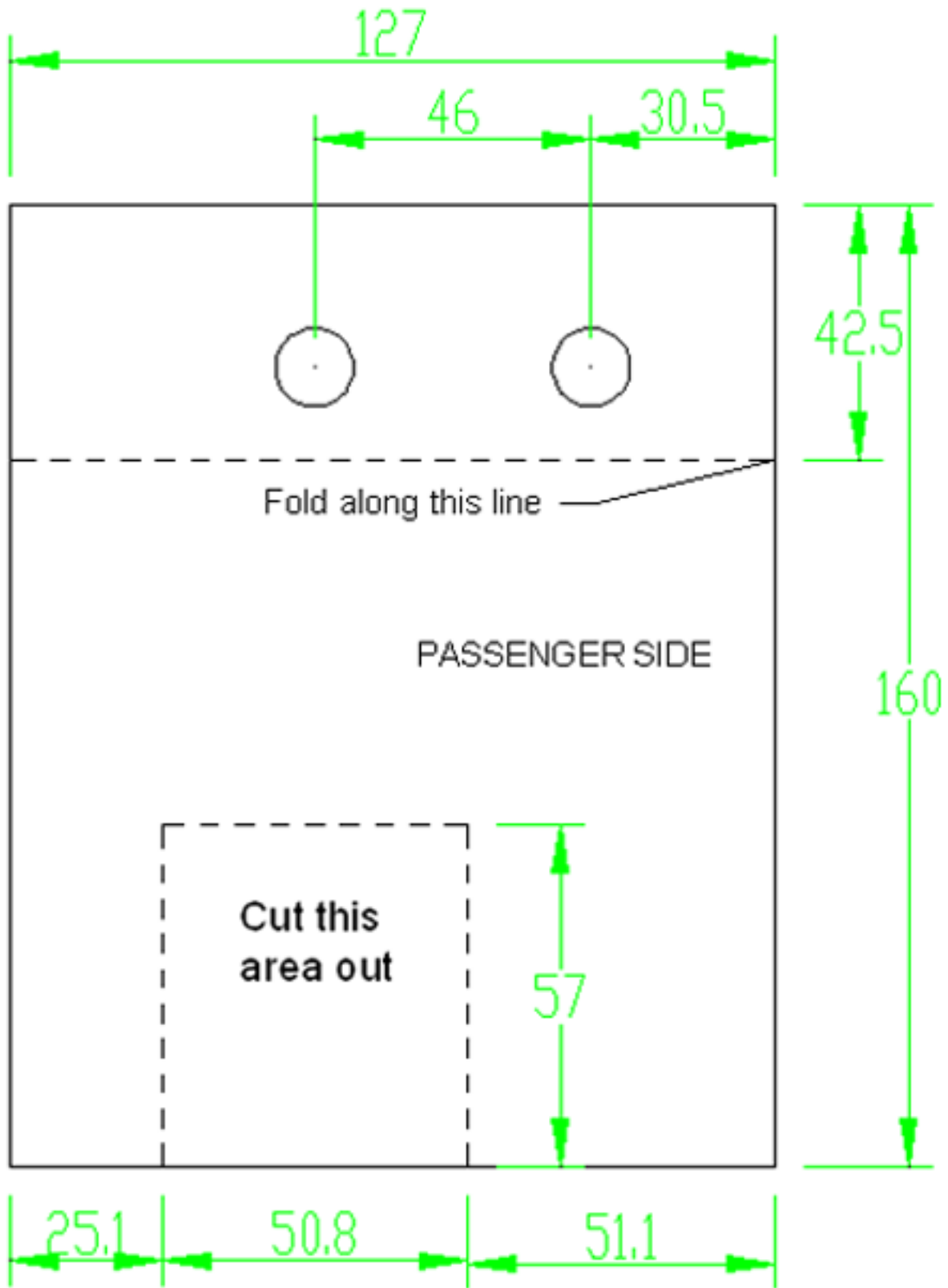
Westin Automotive Products, Inc.  
5200 N. Irwindale Ave. Suite 220  
Irwindale, Ca. 91706

Thank You for choosing Westin products  
For Additional installation assistance please call  
Customer service (800) 793-7846  
[www.westinautomotive.com](http://www.westinautomotive.com)



Westing Automotive Products, Inc.  
 5200 N. Irwindale Ave. Suite 220  
 Irwindale, Ca. 91706

Thank You for choosing Westin products  
 For Additional installation assistance please call  
 Customer service (800) 793-7846  
[www.westinautomotive.com](http://www.westinautomotive.com)



Westing Automotive Products, Inc.  
 5200 N. Irwindale Ave. Suite 220  
 Irwindale, Ca. 91706

Thank You for choosing Westin products  
 For Additional installation assistance please call  
 Customer service (800) 793-7846  
[www.westingautomotive.com](http://www.westingautomotive.com)