



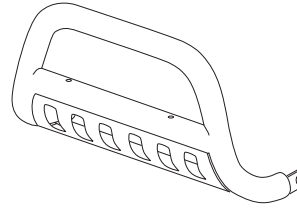
# INSTALLATION INSTRUCTIONS

**APPLICATION: 2006-07 DODGE RAM 1500**

**AUTOMOTIVE PRODUCTS, INC.**

## BULL BAR ASSEMBLY

**31-5950**



ITEM	QTY	CONTENTS	TOOLS
1	1	BULL BAR ASSEMBLY	5/8" SOCKET
2	2	BRACKETS- PASSENGER/DRIVER SIDE	14MM SOCKET
3	6	M10*30MM HEX HEAD BOLTS	17MM SOCKET
4	6	M10 HEX NUTS	5/8" WRENCH
5	12	M10 FLAT WASHERS	14MM WRENCH
6	6	M10 LOCK WASHERS	RATCHET
			TORQUE WRENCH

### PRODUCT INSTALLATION:

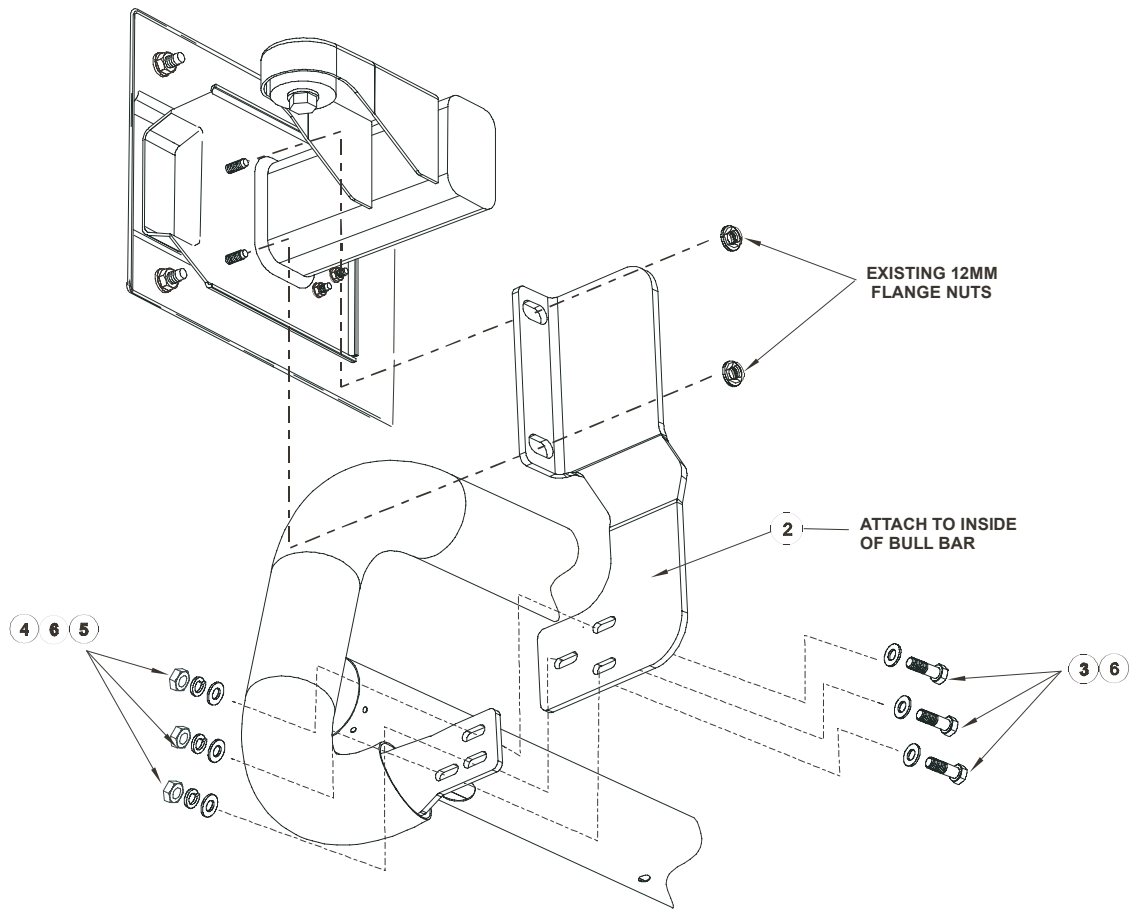
1. Verify all parts & hardware are present. Please read Instruction Sheets before installing. **NOTE:** No drilling required.
2. Remove the lower bumper valance located underneath front bumper temporarily and set aside.
3. Unbolt existing flange nuts on outside of frame rail and attach brackets as shown. Leave Loose. **SEE FIGURE 1**
4. Attach Bull Bar to brackets using (6) M10 Hex Head Bolts, 12 M10 Flat Washers and 6 M10 Lock Washers as shown. Leave loose. **SEE FIGURE 2**
5. Center and level Bull Bar as desired. Torque M10 fasteners to 30 ft/lbs, OE 12MM Flange nuts to 60 ft/lbs.
6. To re-install bumper valance, measure and trim as desired.

**OPTIONAL LIGHT INSTALLATION:** Insert the threaded stud on base of the light through hole in cross tube. Using a ratchet, extension and socket for correct size of nut supplied, insert through large clearance hole in bottom of cross tube. Thread nut and washers on stud and tighten. **NOTE:** A short socket, not a deep-socket, works best to get the nut started. If not installing lights, plug mount holes with rubber caps provided.

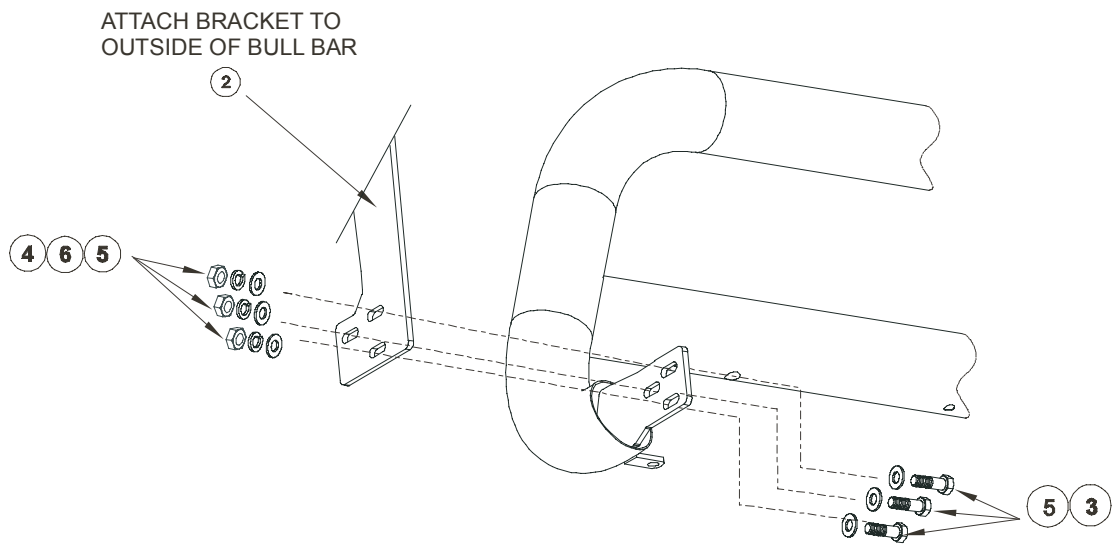
**NOTE:** It may be necessary to remove/relocate front license plate and license plate bracket. It is not required, but strongly recommended. If local/state laws requires a license plate, license plate relocation kit 32-0055 is available.

### PRODUCT CARE:

Westin products have a high quality finish that must be cared for like any other exposed finish on the vehicle. Protect the finish with a non-abrasive automotive wax, (e.g. Pure Carnauba) on a regular basis. The use of any soap, polish or wax that contains an abrasive is detrimental, as the compounds scratch the finish and open it to corrosion.



**FIGURE 1**  
**RAM 1500 INSTRUCTIONS - DRIVER SIDE SHOWN**



**FIGURE 2**  
**RAM 1500 INSTRUCTIONS - DRIVER SIDE**