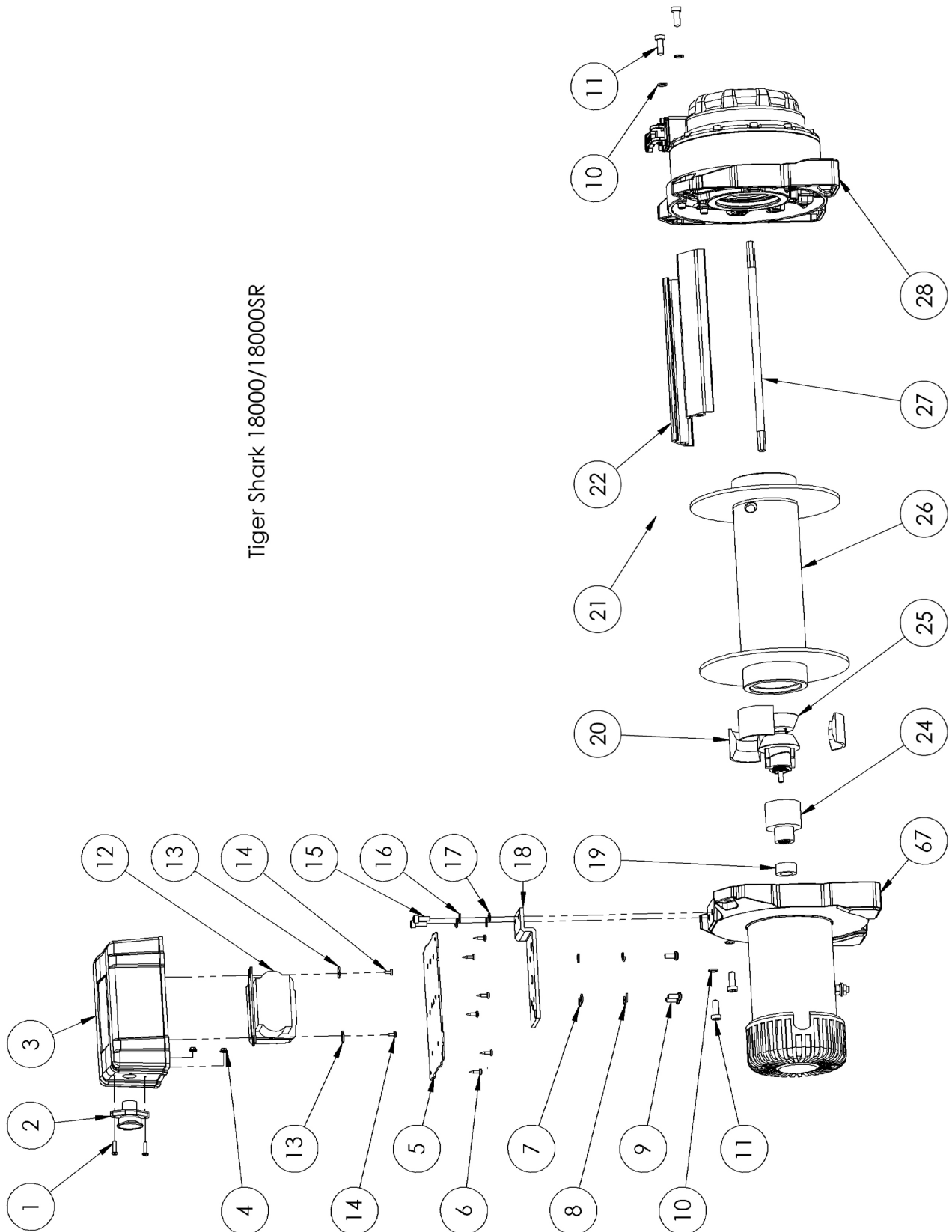


LARGE FRAME TIGER SHARK SERVICE PARTS

| DESCRIPTION | TIGER SHARK 18000 | | TIGER SHARK 18000SR | |
|--|----------------------|---|------------------------|---|
| | PART NUMBER | CONTENTS | PART NUMBER | CONTENTS |
| Power Cables | 90-42661 | Not Shown | 90-42661 | Not Shown |
| Contactora | 90-42658 | 12 | 90-42658 | 12 |
| Control Box Assembly (Includes Contactor) | 90-42643 | 1, 2, 3, 4, 5, 6, 7, 8, 9, 12, 13, 14, 15, 16, 17, 18 | 90-42643 | 1, 2, 3, 4, 5, 6, 7, 8, 9, 12, 13, 14, 15, 16, 17, 18 |
| Clutch Assembly | 90-42649 | 78, 79, 81, 82, 83, 84, 85, 86 | 90-42649 | 78, 79, 81, 82, 83, 84, 85, 86 |
| Hook Assembly | 90-42655 | Not Shown | 90-42655 | Not Shown |
| Motor Assembly | 90-42646 | 29, 30, 31, 32, 33, 34, 35, 37, 38, 39, 40, 41, 42, 43, 44, 45 | 90-42646 | 29, 30, 31, 32, 33, 34, 35, 37, 38, 39, 40, 41, 42, 43, 44, 45 |
| Small Parts Kit (Includes Brake Assembly) | 90-42652 | 20, 25, 31, 35, 38, 39, 40, 45, 46, 65, 68, 73, 77, 83, 85 | 90-42652 | 20, 25, 31, 35, 38, 39, 40, 45, 46, 65, 68, 73, 77, 83, 85 |
| Remote Socket Assembly | 90-24581 | Not Shown | 90-24581 | Not Shown |
| Hawse Fairlead (Not Shown) | N/A | Not Shown | 90-41446, 90-42663 | Not Shown |
| Roller Fairlead (Not Shown) | S100507 | Not Shown | N/A | Not Shown |
| Synthetic Winch Rope (Not Shown) | N/A | Not Shown | 90-24598 | Not Shown |
| Wired Remote Control (Not Shown) | 2275 | Not Shown | 2275 | Not Shown |
| Wire Winch Rope (Not Shown) | 90-24563 | Not Shown | N/A | Not Shown |

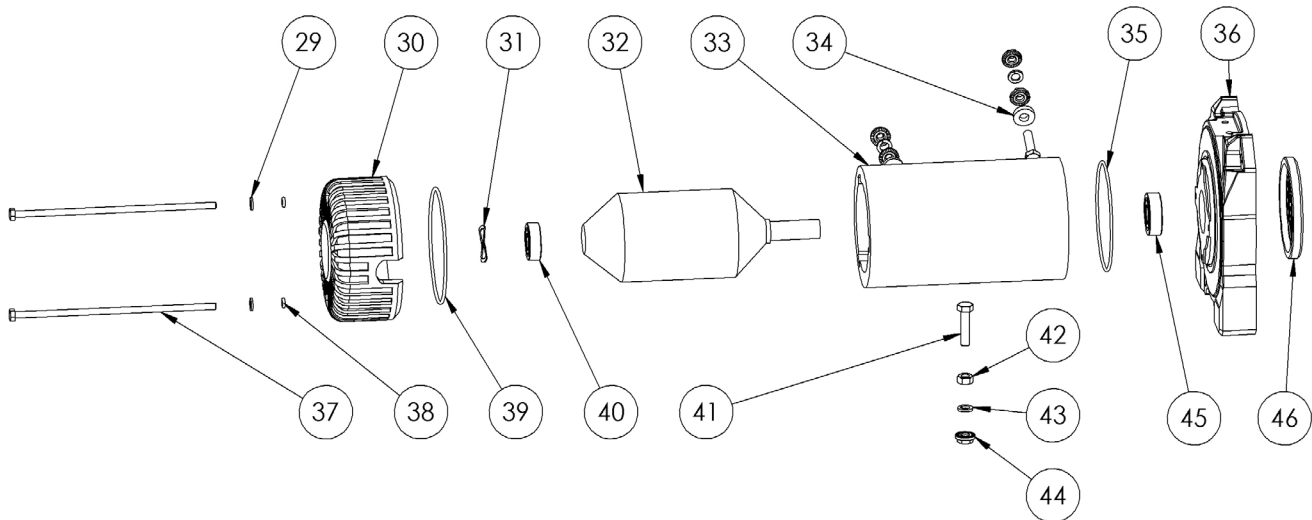
| ITEM NO. | PART NUMBER | DESCRIPTION | QTY. |
|----------|-----------------|--|------|
| 1 | 1518000-1-10-19 | Screw, Pan Head Phillips M4-0.7 X 16mm | 2 |
| 2 | 1518000-1-10-4 | Socket | 1 |
| 3 | 1518000-1-10-3 | Lid, Control Box | 1 |
| 4 | 1518000-1-10-20 | Serrated Flange Nut, M4-0.7 | 2 |
| 5 | 1518000-1-10-1 | Plate, Control Box Base | 1 |
| 6 | 1518000-1-10-18 | Screw, Pan Head Phillips | 6 |
| 7 | 1515000-1-10-16 | Flat Washer, M6 | 3 |
| 8 | 1515000-1-10-15 | Split Lock Washer, M6 | 3 |
| 9 | 1515000-1-10-14 | Screw, Pan Head Phillips M6 X 13mm | 3 |
| 10 | 1518000-1-12 | Split Lock Washer, M8 | 4 |
| 11 | 1518000-1-11 | Screw, Socket Head M8-1.25 X 25mm | 4 |
| 12 | 1518000-1-10-5 | Contactora, 12V | 1 |
| 13 | 1518000-1-10-22 | Retaining Plate | 2 |
| 14 | 1518000-1-10-21 | Screw, Pan Head Phillips | 2 |
| 15 | N/A | Screw, Socket Head M6-1.0 X 16mm | 2 |
| 16 | N/A | Split Lock Washer, M6 | 2 |
| 17 | N/A | Flat Washer, M6 | 2 |
| 18 | 1518000-1-10-2 | Bracket, Control Box | 1 |
| 19 | 1515000-1-14 | Spacer, Motor Adapter | 1 |
| 20 | 1518000-1-7 | Brake Pad | 3 |
| 21 | 1515000-1-13 | Screw, Set M8-1.25 X 8mm | 1 |
| 22 | 1515000-1-3 | Tie Bar | 2 |
| 23 | 1515000-1-1 | Motor End Assembly | 1 |
| 24 | 1518000-1-8 | Adapter, Brake-Motor | 1 |
| 25 | 1515000-1-6 | Cone Brake Actuator Assembly | 1 |
| 26 | 1515000-1-4 | Drum | 1 |
| 27 | 1515000-1-5 | Drive Shaft | 1 |
| 28 | 1515000-1-9 | Gearbox End Assembly | 1 |

Tiger Shark 18000/18000SR



| ITEM NO. | PART NUMBER | DESCRIPTION | QTY. |
|----------|--|---|-------------|
| 29 | 1518000-1-1-11 | Flat Washer, M6 | 2 |
| 30 | 1518000-1-1-9 | Motor Cap | 1 |
| 31 | 1515000-1-1-12 | Spacer, Ball Bearing | 1 |
| 32 | 1518000-1-1-7 | Armature | 1 |
| 33 | 1518000-1-1-6 | Motor Housing (Includes Stator) | 1 |
| 34 | 1518000-1-1-14 1518000-1-1-15 1518000-1-1-16 | Insulator, Red Insulator, Black Insulator, Yellow | 1 1 1 |
| 35 | 1518000-1-1-8 | Motor Seal | 1 |
| 36 | 1515000-1-1-2 (P#'s 1515000, 1515001) 1518000-1-1-2 (P#'s 1518000, 1518001) | Drum Support, Motor End | 1 |
| 37 | 1518000-1-1-10 | Screw, Hex Head M6-1.0 X 190mm | 2 |
| 38 | 1518000-1-1-12 | O-Ring, Motor Bolt | 2 |
| 39 | 1518000-1-1-81 | Motor End Seal | 1 |
| 40 | 1515000-1-1-11 | Ball Bearing | 1 |
| 41 | 1518000-1-1-13 | Motor Terminal | 4 |
| 42 | 1518000-1-1-17 | Hex Nut, M8-1.25 | 1 |
| 43 | 1518000-1-1-19 | Splitlock Washer, M8 | 4 |
| 44 | 1518000-1-1-18 | Serrated Flange Nut, M8 | 7 |
| 45 | 1518000-1-1-4 | Roller Bearing, Motor | 1 |
| 46 | 1515000-1-1-3 (P#'s 1515000, 1515001) 1518000-1-1-3 (P#'s 1518000, 1518001) | Seal, Drum Support | 1 |

Tiger Shark 15000/15000SR/18000/18000SR Motor End Assembly



| ITEM NO. | PART NUMBER | DESCRIPTION | QTY. |
|----------|-----------------|---------------------------------------|------|
| 13 | 1518000-1-10-22 | Face Seal | 1 |
| 46 | 1518000-1-1-3 | Seal, Drum Support | 1 |
| 72 | 1518000-1-9-14 | Ring Gear Bolts | 23 |
| 73 | 1518000-1-9-2 | Ring Gear Gasket | 2 |
| 74 | 1518000-1-9-12 | 3rd Stage Planetary Assembly | 1 |
| 75 | 1518000-1-9-11 | 2nd Stage Planetary Assembly | 1 |
| 76 | 1518000-1-9-10 | 1st Stage Planetary Assembly | 1 |
| 77 | 1518000-1-9-9 | Bushing, Gear Box | 1 |
| 78 | 1518000-1-9-135 | Retaining Pin, Clutch | 1 |
| 79 | 1518000-1-9-136 | Snap Ring, 4mm OD | 2 |
| 80 | 1518000-1-9-21 | Screw, Socket Head M4 SEMS | 4 |
| 81 | 1518000-1-9-131 | Clutch Handle | 1 |
| 82 | 1518000-1-9-132 | Clutch Mounting Plate | 1 |
| 83 | 1518000-1-9-137 | Gasket, Clutch | 1 |
| 84 | 1518000-1-9-138 | Washer, Clutch | 1 |
| 85 | 1518000-1-9-134 | Spring, Clutch | 1 |
| 86 | 1518000-1-9-133 | Clutch Pin | 1 |
| 87 | 1518000-1-9-15 | Splitlock Washer, M6 | 23 |
| 88 | 1518000-1-9-1 | Drum Support, Gearbox End | 1 |
| 89 | 1518000-1-9-3 | Ring Gear, 3rd Stage | 1 |
| 90 | 1518000-1-9-22 | Screw, Pan Head Phillips M4-0.5 X 8mm | 2 |
| 91 | 1518000-1-9-4 | Ring Gear, 2nd Stage | 1 |
| 92 | 1518000-1-9-5 | Ring Gear, 1st Stage | 1 |
| 93 | 1518000-1-9-6 | Sun Gear, 1st Stage | 1 |
| 94 | 90-42652-11 | Spacer Plate | 1 |
| 95 | 1518000-1-9-7 | Gearbox | 1 |

