

NEW

WESTIN
TESTED TOUGH. BUILT TO LAST.

MANUAL RETRACTABLE

TONNEAU COVER

■ ALL-WEATHER PROTECTION

Shields your truck bed and cargo from rain, dirt, sun, and wind.

■ SECURE CARGO COVERAGE

Ideal for transporting or storing items that need protection from the elements.

■ DUST-RESISTANT SEALS

Engineered to withstand extreme weather conditions.

■ LOW-PROFILE OE DESIGN

Sits on top of bed rails for a factory-installed appearance.

■ WEIGHT CAPACITY

Supports up to 500 lbs. when evenly distributed, delivering added strength and stability for hauling gear and equipment.

■ MANUAL RETRACTABLE OPERATION

Securely locks in the fully closed position, fully open position, and two partially open positions.

■ COMPACT ROLL-UP CANISTER

Measures 8.9" (depth) x 7.3" (height) to preserve maximum usable bed space while maintaining full coverage.

■ INTEGRATED T-SLOT CHANNELS

Supports multiple accessory mounts, providing flexible, secure customization of your truck bed setup.

■ VEHICLE-SPECIFIC MOUNTING BRACKETS

Custom-designed for each truck bed to ensure a secure, precise, and reliable fit.

■ BLACK POWDER-COATED ALUMINUM EXTRUSION CONSTRUCTION

Provides lightweight strength, long-lasting durability, and corrosion resistance, backed by a limited lifetime warranty.

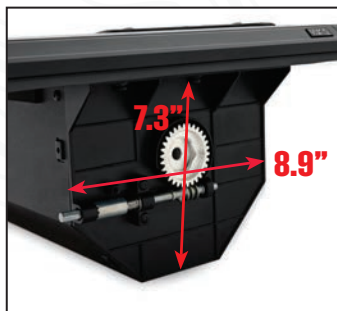


SHOWN OPEN

EVENLY DISTRIBUTED

500 LBS.

WEIGHT CAPACITY



ROLL-UP CANISTER MEASURES 8.9" (DEPTH) X 7.3" (HEIGHT)



VEHICLE-SPECIFIC MOUNTING BRACKETS



OPTIONAL PRODUCT EXP CROSS BARS
PIN: 16-10059
73" LENGTH

FINISH: Black Powder Coat
MATERIAL: Aluminum
WARRANTY: Limited Lifetime



LOW-PROFILE OE DESIGN



FEATURES 2 PRESET PARTIAL-OPEN POSITIONS



FULLY OPEN POSITION



OPENS AND CLOSSES QUICKLY WITH A SIMPLE PULL STRAP



ENGINEERED WITH DUST-RESISTANT SEALS

| START | END | PRODUCT | MAKE | BLACK |
|-------|------|-----------|--|----------|
| 2019 | 2026 | Chevrolet | Silverado 1500 5'8" Bed | 19-64745 |
| 2020 | 2026 | Chevrolet | Silverado 2500/3500 6'6" Bed | 19-63995 |
| 2015 | 2026 | Ford | F-150 5'5" Bed | 19-64625 |
| 2022 | 2026 | Ford | F-150 Lightning 5'5" Bed | 19-64625 |
| 2017 | 2026 | Ford | F-250/F-350/F-450/F-550 Super Duty 6'10" Bed | 19-61005 |
| 2019 | 2026 | GMC | Sierra 1500 5'8" Bed | 19-64745 |
| 2020 | 2026 | GMC | Sierra 2500/3500 6'6" Bed | 19-63995 |
| 2019 | 2026 | Ram | 1500 (New Body)(Excl. RamBox) 5'7" Bed | 19-64705 |
| 2016 | 2023 | Toyota | Tacoma (With or Without Deck Rail System) 5' Bed | 19-61065 |
| 2024 | 2026 | Toyota | Tacoma 5' Bed | 19-62785 |
| 2024 | 2026 | Toyota | Tacoma 6' Bed | 19-62795 |
| 2022 | 2026 | Toyota | Tundra (With or Without Deck Rail System) 5'5" Bed | 19-60285 |