



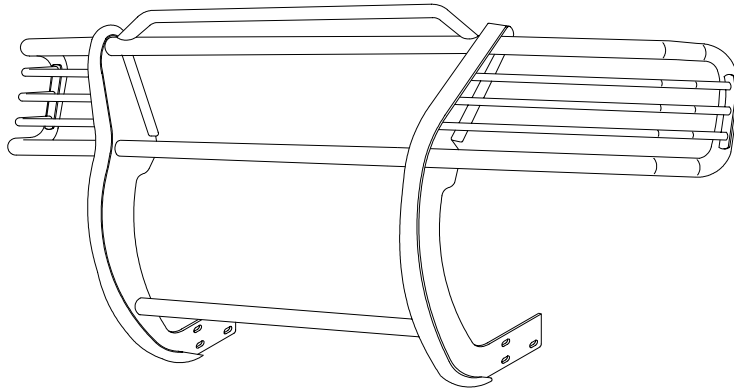
INSTALLATION INSTRUCTIONS

APPLICATION: 1999-01 JEEP GRAND CHEROKEE
LAREDO/LIMITED 2/4 WHEEL DRIVE

AUTOMOTIVE PRODUCTS, INC.

SPORTSMAN
ASSEMBLY

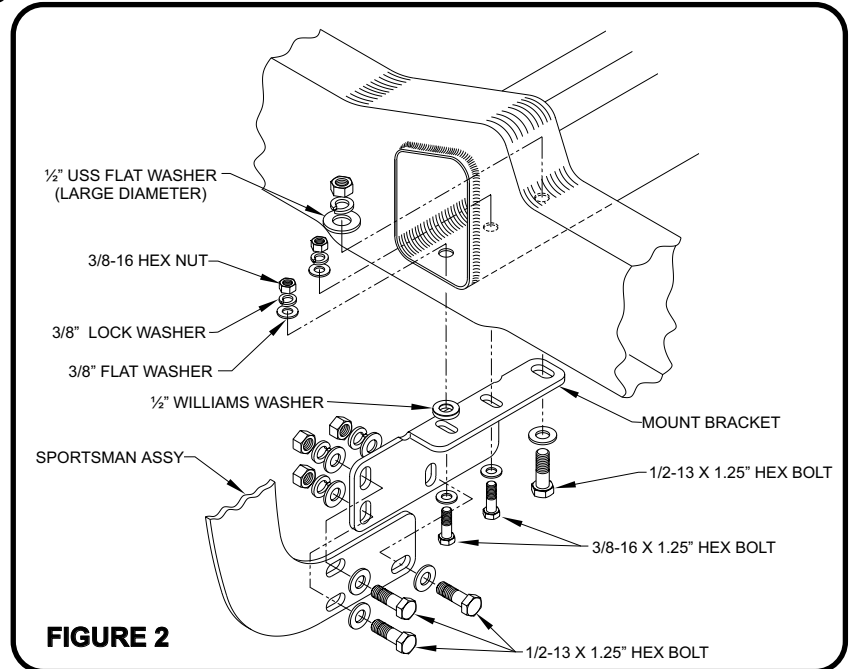
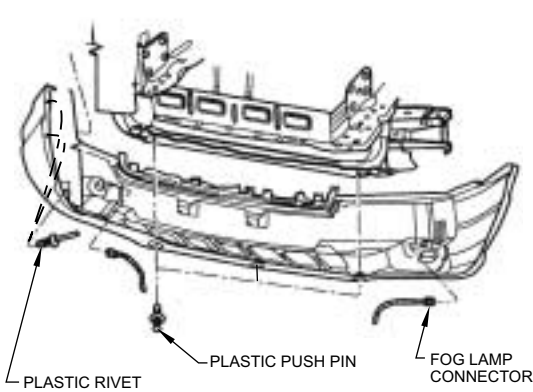
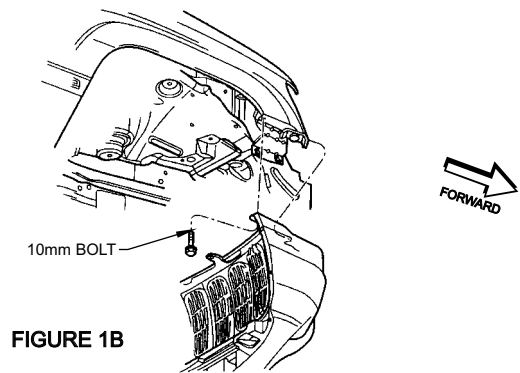
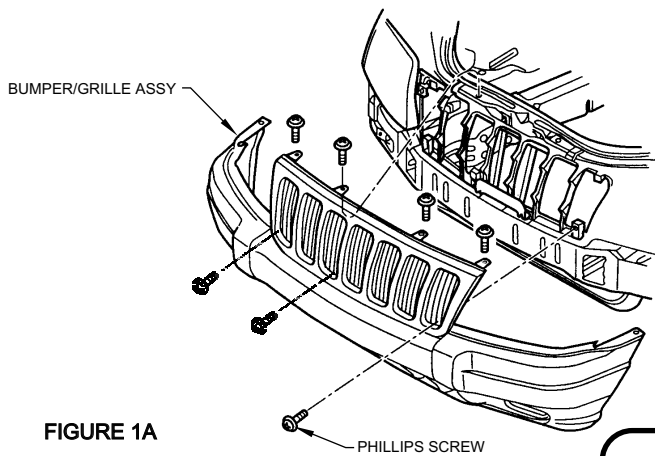
40-0125



QTY	PARTS KIT CONTENTS DESCRIPTION	TOOLS REQUIRED
1	SPORTSMAN ASSEMBLY WITH LIGHT GUARDS	3/4" SOCKET
1	MOUNT BRACKET - DRIVER SIDE	3/4" COMBINATION WRENCH
1	MOUNT BRACKET - PASSENGER SIDE	9/16" SOCKET
8	1/2-13 X 1.25" LG. HEX HEAD BOLT	9/16" COMBINATION WRENCH
14	1/2" SAE FLAT WASHER (1-1/16" O.D.)	RATCHET
2	1/2" USS FLAT WASHER (1-3/8" O.D.)	10MM NUT DRIVER
2	1/2" WILLIAMS WASHER (THICK WASHER)	TORQUE WRENCH
8	1/2-13 HEX NUT	PHILLIPS SCREWDRIVER
8	1/2" LOCK WASHER	FLAT SCREWDRIVER
4	3/8-16 X 1.25" LG. HEX HEAD BOLT	UTILITY KNIFE
8	3/8" FLAT WASHER	TAPE MEASURE
4	3/8" LOCK WASHER	
4	3/8-16 HEX NUT	
8	PLASTIC PUSH PIN	

- STEP 1. Remove the contents from the box and check for any damage. Verify all parts against the parts list.
- STEP 2. Read and understand instructions completely before beginning installation.
- STEP 3. To install mount brackets, removal of bumper/grille is necessary. Remove seven Phillips screws from grille, (four above grille, and three on lower front of grille) (Figure 1A). Remove (2) 10mm bolts from bumper, located at front/inside of fender, using nut driver (Figure 1B). Cut out (6) plastic rivets from inside of front fender, three on each side (replacements provided). From beneath vehicle, remove three pin retainers from bottom/center of bumper with flat screwdriver and disconnect fog lamp connector, (if equipped)(Figure 1C). Pull bumper/grille straight out from vehicle.
- STEP 4. Install mount brackets to frame using 1/2" and 3/8" hardware as shown in Fig 2. Finger tighten so brackets move freely. Repeat for opposite side.

- STEP 5. Measure distance from inside to inside of sportsman uprights near slots. Center mount brackets on vehicle so that this distance is the outside to outside measurement of the mounting brackets.
- STEP 6. Torque 1/2" fasteners to 60 ft. lbs. and 3/8" fasteners to 30 ft. lbs.
- STEP 7. Replace bumper/grille in opposite order of removal.(Step 3). Use the replacement, plastic "push-type" retainers provided.
- STEP 8. Place cardboard under front side of vehicle. Lay sportsman on cardboard with front side down. Slide sportsman back so that the rearmost slots align with the rearmost slots on the brackets. Attach sportsman to brackets at rearmost slots using 1/2" hardware provided.
- STEP 9. Carefully rotate sportsman up toward vehicle until remaining slots are aligned. Insert remaining 1/2" fasteners. Do not tighten at this time.
- STEP 10. Level and adjust unit. Torque the 1/2" fasteners to 60 ft. Lbs.



Finish protection - Westin products have a high quality finish that must be cared for like any other exposed finish on the vehicle. Protect the finish with a non-abrasive automotive wax (pure carnauba, for example) on a regular basis. The use of cleaner wax or any compound which contains an abrasive is detrimental, as the compounds scratch the finish and open it to corrosion.