

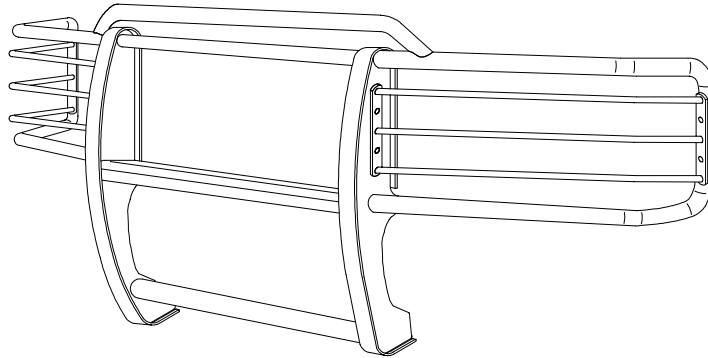


INSTALLATION INSTRUCTIONS

APPLICATION: 1999-01 CHEVROLET SILVERADO
2500 SERIES 2/4 WHEEL DRIVE

AUTOMOTIVE PRODUCTS, INC.

SPORTSMAN
ASSEMBLY
40-0475

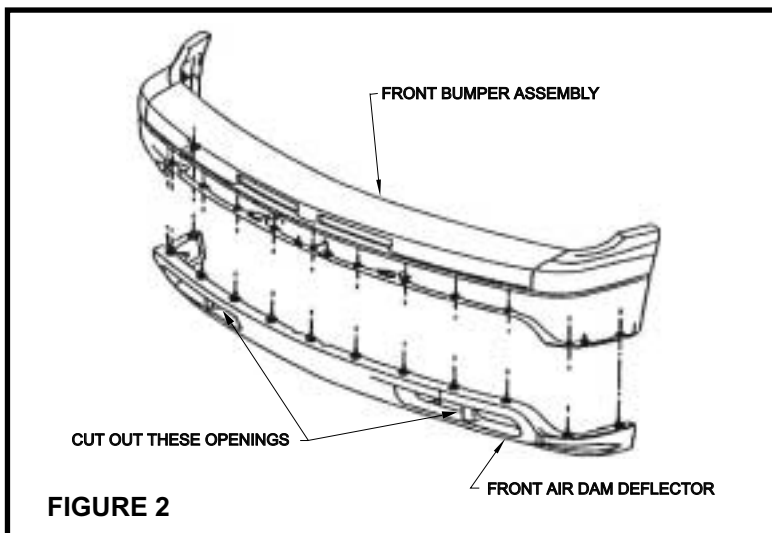
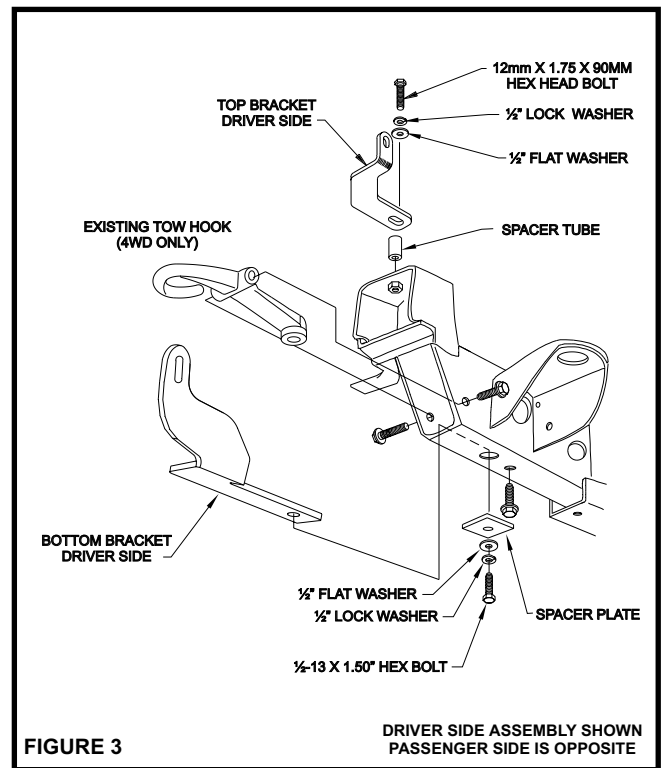
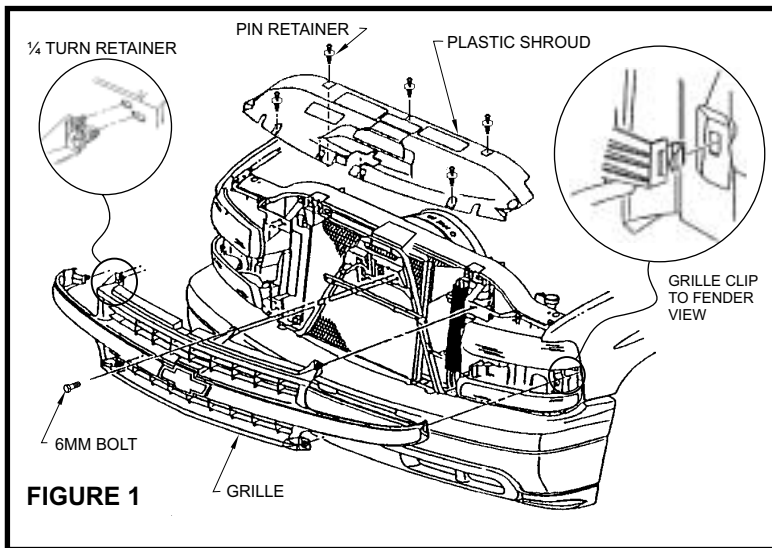


QTY	PARTS KIT CONTENTS DESCRIPTION	TOOLS REQUIRED
1	SPORTSMAN ASSEMBLY WITH LIGHT GUARDS	9/16" WRENCH
2	TOP BRACKET	9/16" SOCKET
2	BOTTOM BRACKET	3/4" SOCKET
4	3/8 -16 X 1.25" HEX HEAD BOLT	18MM SOCKET
8	3/8" FLAT WASHER, ZINC PLATED	10MM SOCKET
4	3/8" LOCK WASHER, ZINC PLATED	19MM SOCKET
4	3/8 -16 HEX NUT, ZINC PLATED	TORQUE WRENCH
2	M12-1.75 X 90 MM FULLY THREADED HEX HEAD BOLT	PHILLIPS SCREWDRIVER
12	1/2" FLAT WASHERS	SMALL FLAT SCREWDRIVER
4	1/2" LOCK WASHERS	SOCKET EXTENSION
2	SPACER PLATE	RATCHET
2	SPACER TUBE	UTILITY KNIFE
8	1/2 -13 X 1.50" HEX HEAD BOLT, GRADE 5	
2	1/2-13 HEX NUT	

- STEP 1. Remove the contents from the box and check for any damage. Verify all parts against the parts list.
Note: Some fasteners will be left over after installation.
- STEP 2. Read and understand instructions completely before beginning installation.
- STEP 3. Remove plastic shroud above grille by removing the seven pin retainers. Pull center pin up with small, flat screwdriver. **See Figure 1.**
- STEP 4. Remove grille from truck by removing 6mm bolt from top of grille. Turn the four retainers 1/4 turn counter-clockwise with Phillips screwdriver. Pull on outer edge of grille by applying firm pressure away from the fender, repeat on the opposite side. Carefully remove grille from vehicle. **See Figure 1.**
- STEP 5. To install top brackets, remove both 12mm factory bumper bolts from top of frame (located behind the top side of bumper). On each side, replace with spacer tube, top mount bracket, 1/2" flat washer, 1/2" lock washer, and M12-x 1.75 x 90MM bolt, finger tighten 12mm and 6mm bolts. **See Figure 3.**
- STEP 6. To install bottom brackets, remove 12mm tow hook bolts and tow hooks. Switch tow hooks by placing the driver side tow hook on the passenger side. Reinstall bolts and tighten. **Note:** Tow hooks should face inside of vehicle. **See Figure 3.**
- STEP 7. Models with driving lights or tow hooks, slide bottom bracket into frame and attach using 1/2-13 bolt, 1/2"lock washer, 1/2" flat washer, and spacer plate.

Note: On models without tow hooks or driving lights, an opening must be cut out in the two inside indents of the air dam using a utility knife. **See Figure 2.**

- STEP 8. Raise the Sportsman up to the brackets and attach using 3/8" hardware and hand tighten. Adjust Sportsman to center of truck and torque all fasteners at the frame locations only to: 1/2" fasteners = 65 FT. LBS; 12mm fasteners = 60 FT. LBS; 6mm fasteners = 10 FT. LBS.
- STEP 9. Remove Sportsman from brackets and re-install vehicle grille and plastic shroud in the opposite order of removal.
- STEP 10. Re-attach Sportsman to brackets and tighten the 3/8" bolts to 30 FT. LBS.



Finish protection - Westin products have a high quality finish that must be cared for like any other exposed finish on the vehicle. Protect the finish with a non-abrasive automotive wax (pure carnauba, for example) on a regular basis. The use of cleaner wax or any compound which contains an abrasive is detrimental, as the compounds scratch the finish and open it to corrosion.