



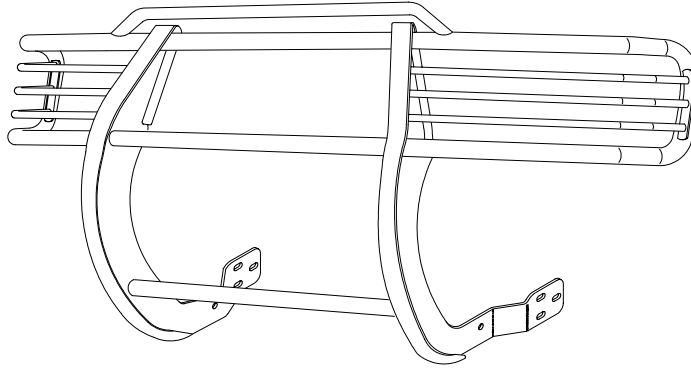
INSTALLATION INSTRUCTIONS

APPLICATION: 1999-00 TOYOTA 4-RUNNER 2/4 WHEEL DRIVE

AUTOMOTIVE PRODUCTS, INC.

SPORTSMAN
ASSEMBLY

40-0275



ITEM	QTY.	PARTS KIT CONTENTS DESCRIPTION	TOOLS REQUIRED
1	1	SPORTSMAN ASSEMBLY	14MM SOCKET
2	1	MOUNT BRACKET - PASSENGER SIDE	17MM SOCKET
3	1	MOUNT BRACKET - DRIVER SIDE	3/4" SOCKET
4	1	BRACE - PASSENGER SIDE	RATCHET
5	1	BRACE - DRIVER SIDE	TORQUE WRENCH
6	8	1/2-13 X 1.25" HEX HEAD BOLT	3/4" COMBINATION WRENCH
7	16	1/2" SAE FLAT WASHER	
8	8	1/2-13 HEX NUT	
9	8	1/2" HELICAL SPLIT LOCK WASHER	

- STEP 1. Remove the contents from the box and check for ant damage.
- STEP 2. Read and understand instructions completely before beginning installation.
- STEP 3. Locate and remove the tie down loop/ tow hook bolts. Determine passenger and driver side mount brackets. Install mount brackets between frame and tie down loops (and tow hook passenger side) with previously removed bolts. Hand tighten.
- STEP 4. Place Sportsman Assembly face down under front of vehicle. Line up rear slot in mount bracket with the rearmost slot in Sportsman Assembly. Attach Sportsman to brackets using (1) 1/2-13 x 1.25" Hex Head Bolt, (2) 1/2" Flat Washers, (1) 1/2-13 Lock Washer and (1) 1/2-13 Hex Nut per bracket. Leave Loose.

- STEP 5. Rotate Sportsman Assembly up in front until remaining two slots in mount brackets line up. Secure using (2) 1/2-13 x 1.25" Hex Head Bolts, (4) 1/2" Flat Washers, (2) 1/2-13 Lock Washers and (2) 1/2-13 Hex Nuts per bracket. Snug up the bolts but do not tighten.
- STEP 6. Remove lower bumper mount bolts towards outside of vehicle. Determine passenger and driver side braces. Attach brace to vehicle with previously removed bolt. Leave Loose. Secure Brace to Sportsman through hole using (1) 1/2-13 x 1.25" Hex Head Bolt, (2) 1/2" Flat Washers, (1) 1/2" Lock Washer and (1) 1/2" Hex Nut per brace. Leave loose.
- STEP 7. Center and level Sportsman with vehicle. Tighten and torque tie down loop/ tow hook bolts to 61 FT. LBS. Mount brackets to 65 FT. LBS. Brace Bolts to vehicle to 35 FT. LBS. And Sportsman Assembly to 65 FT. LBS.



Finish protection - Westin products have a high quality finish that must be cared for like any other exposed finish on the vehicle. Protect the finish with a non-abrasive automotive wax (pure carnauba, for example) on a regular basis. The use of cleaner wax or any compound which contains an abrasive is detrimental, as the compounds scratch the finish and open it to corrosion.