

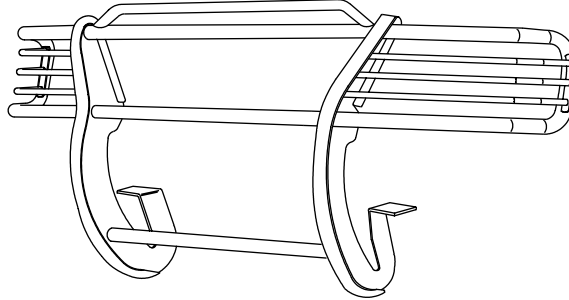


INSTALLATION INSTRUCTIONS

APPLICATION: 1995 - 00 FORD EXPLORER

AUTOMOTIVE PRODUCTS, INC.

SPORTSMAN
ASSEMBLY
40-0105



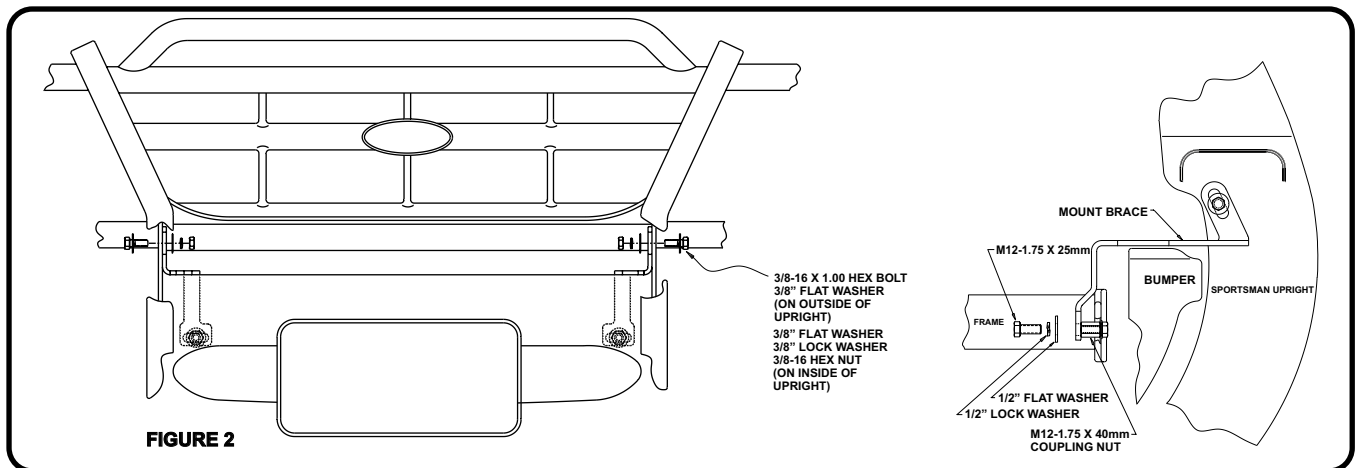
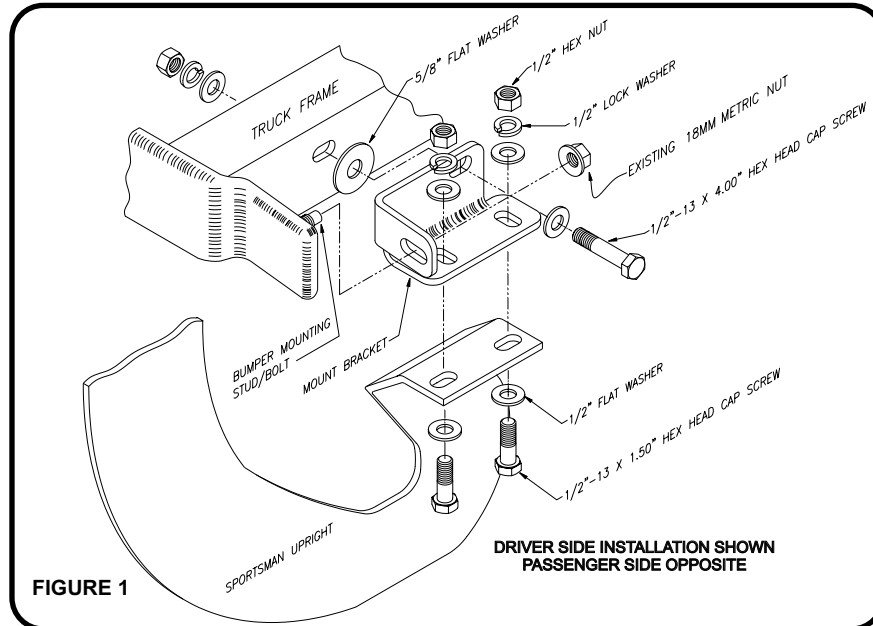
QTY	PARTS KIT CONTENTS DESCRIPTION	TOOLS REQUIRED
4	1/2-13 X 1.50" HEX HEAD BOLT	18MM SOCKET
2	1/2-13 X 4.00" HEX HEAD BOLT	17MM SOCKET
16	1/2" SAE FLAT WASHER	13MM SOCKET
8	1/2" HELICAL SPLIT LOCK WASHER	3/4" SOCKET
6	1/2-13 HEX NUT	3/4" WRENCH
2	3/8-16 X 1.00" HEX HEAD BOLT - BLACK ZINC	RATCHET
2	3/8-16 HEX NUT - BLACK ZINC	TORQUE WRENCH
4	3/8" SAE FLAT WASHER - BLACK ZINC	EXTENSION
2	3/8" HELICAL SPLIT LOCK WASHER - BLACK ZINC	7/8" SOCKET
1	MOUNT BRACKET DRIVER SIDE	
1	MOUNT BRACKET PASSENGER SIDE	
1	MOUNT BRACE DRIVER SIDE	
1	MOUNT BRACE PASSENGER SIDE	
2	M12- 1.75 x 40MM HEX COUPLING NUT	
2	M12- 1.75 x 25MM HEX HEAD BOLT	

- STEP 1. Remove the contents from the box and check for any damage. Verify all parts against parts list.
- STEP 2. Read and understand instructions completely before beginning installation.
- STEP 3. Remove factory bumper nut adjacent to end of frame using the 18mm socket.
- STEP 4. Install bracket over bumper bracket stud and insert 1/2-13 x 4.00" Hex Head Bolt through Sportsman bracket and frame slot, inserting the 5/8" Flat Washer between bracket and frame. See Figure 1.
- STEP 5. Re-install bumper bracket nut and tighten the 1/2-13 x 4.00" Hex Head Bolt. Level the bracket with the ground before tightening both the bumper bracket nut and the 1/2-13 x 4.00" Hex Head Bolt to 65 FT. LBS. See Figure 1.
- STEP 6. Repeat steps 3 through 5 for the bracket on the opposite side.
- STEP 7. Place cardboard below front of vehicle. Slide Sportsman under the air dam and lift Sportsman into position against Mount Brackets. Attach Sportsman to Mount Brackets with (4) 1/2-13 x 1.50" Hex Head Bolt, 1/2" Flat Washers, 1/2" Lock Washers and 1/2-13 Hex Nuts. Hand tighten. See Figure 1.
- STEP 8. Remove the factory bumper bracket nut on the inside of each frame rail with 18mm socket. **NOTE: The nuts are opposite of the nuts removed for the Mount Brackets in Step 3. See Figure 1.** Replace nuts with M12-1.75 x 40mm Coupling Nuts provided. Tighten to 65 FT. LBS. Using 7/8" socket.

STEP 9. Install Passenger Mount Brace. Reach through the bumper opening on driver side of license plate, turn brace to allow slotted portion of brace (which attaches to upright) to slide between the grille and top of bumper. Insert towards Sportsman until bend contacts grille, then rotate brace up to allow portion after bend to emerge through grille/ bumper gap. Position brace against inside of upright and install 3/8-16 x 1.00" Hex Head Bolt (black) and 3/8" Flat Washers (Black) from outer surface of upright and secure brace with 3/8" Flat Washers, Split Lock Washers and Hex Nuts (black) on inside of upright. Leave Loose. Install M12-1.75 x 25mm Hex Bolt, 1/2" Split Lock Washer and Flat Washers (black) through brace and into Coupling Nut as shown in Figure 2.

STEP 10. Repeat Step 9 for Driver Mount Brace.

STEP 11. Align Sportsman with front of vehicle and tighten fasteners to 65 FT. LBS.



Finish protection - Westin products have a high quality finish that must be cared for like any other exposed finish on the vehicle. Protect the finish with a non-abrasive automotive wax (pure carnauba, for example) on a regular basis. The use of cleaner wax or any compound which contains an abrasive is detrimental, as the compounds scratch the finish and open it to corrosion.