

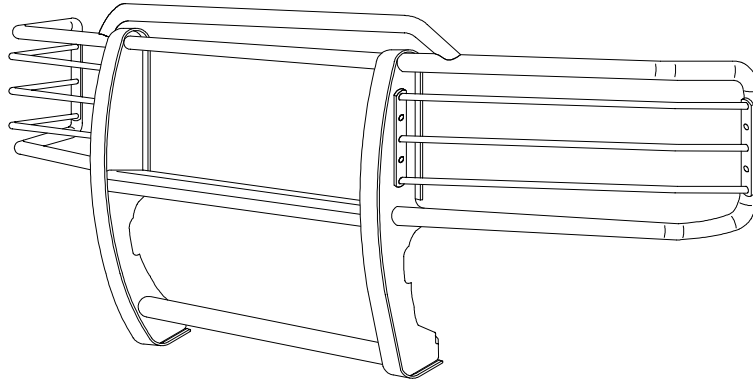


INSTALLATION INSTRUCTIONS

APPLICATION: 1988-1999 CK SERIES TRUCK & SPORT UTILITY VEHICLES

AUTOMOTIVE PRODUCTS, INC.

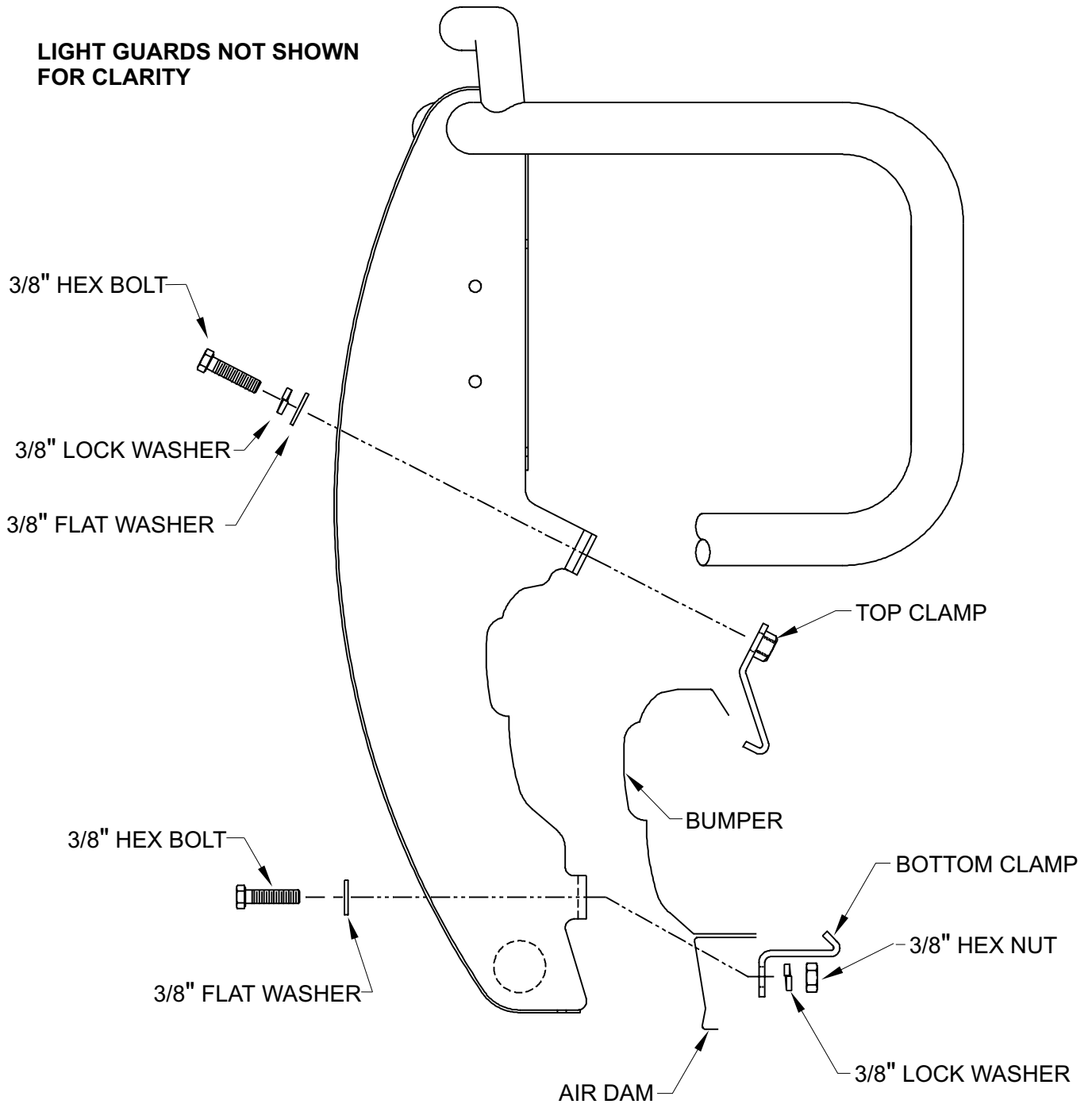
SPORTSMAN
ASSEMBLY
40-0085



QTY	PARTS KIT CONTENTS DESCRIPTION	TOOLS REQUIRED
1	SPORTSMAN ASSEMBLY WITH LIGHT GUARDS	9/16" SOCKET
2	TOP CLAMP	9/16" COMBINATION WRENCH
2	BOTTOM CLAMP	RATCHET
4	3/8 -16 X 1.00" LG. HEX HEAD BOLT	
4	3/8" FLAT WASHER, ZINC PLATED	
4	3/8" LOCK WASHER, ZINC PLATED	
2	3/8 -16 HEX NUT, ZINC PLATED	

- STEP 1. Remove the contents from the box and check for any damage. Verify all parts against the parts list.
- STEP 2. Read and understand instructions completely before beginning installation.
- STEP 3. Stand the Sportsman up against the bumper to help determine the general location of the Top Clamps. Hook the Top Clamps over the bumper.
- STEP 4. Raise the Sportsman up to the clamps and secure to the Top Clamps with a bolt, lock washer and flat washer on each side. Hand tighten only at this time.
- STEP 5. Re-adjust the Sportsman to center it on the truck. Slide the Bottom Clamps between the air dam and bumper. Attach with the remaining bolts, flat washers, lock washer and hex nuts provided.
- STEP 6. Realign the Sportsman and tighten until Sportsman is tight to the bumper and feels secure.

LIGHT GUARDS NOT SHOWN FOR CLARITY



Finish protection - Westin products have a high quality finish that must be cared for like any other exposed finish on the vehicle. Protect the finish with a non-abrasive automotive wax (pure carnauba, for example) on a regular basis. The use of cleaner wax or any compound which contains an abrasive is detrimental, as the compound scratches the finish and opens it to corrosion.



Westin Automotive Products, Inc.
5200 N. Irwindale Ave. Suite 220
Irwindale, Ca. 91706

Thank You for choosing Westin products
For additional installation assistance please call
Customer service (800) 793-7846 or (507) 375-3559