



# INSTALLATION INSTRUCTIONS

APPLICATION: 1998- HONDA PASSPORT  
1998- ISUZU RODEO

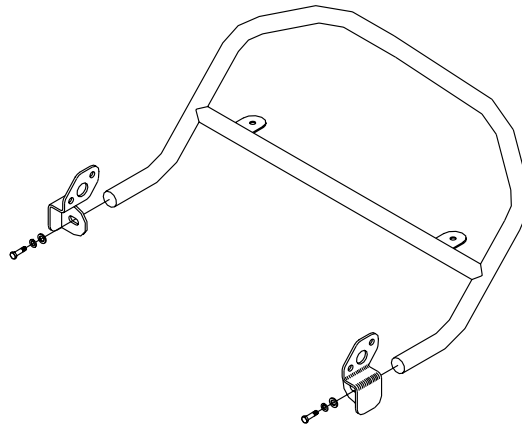
**AUTOMOTIVE PRODUCTS, INC.**

SAFARI BAR  
ASSEMBLY:

**30-0015**

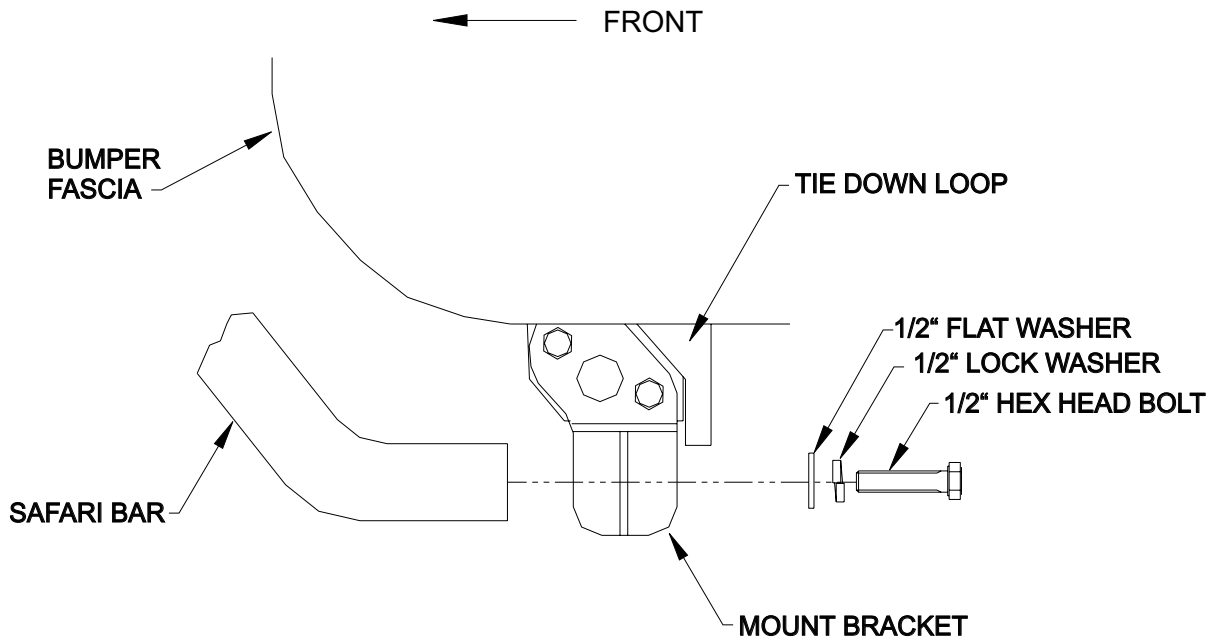
MOUNT KIT:

**30-1075**

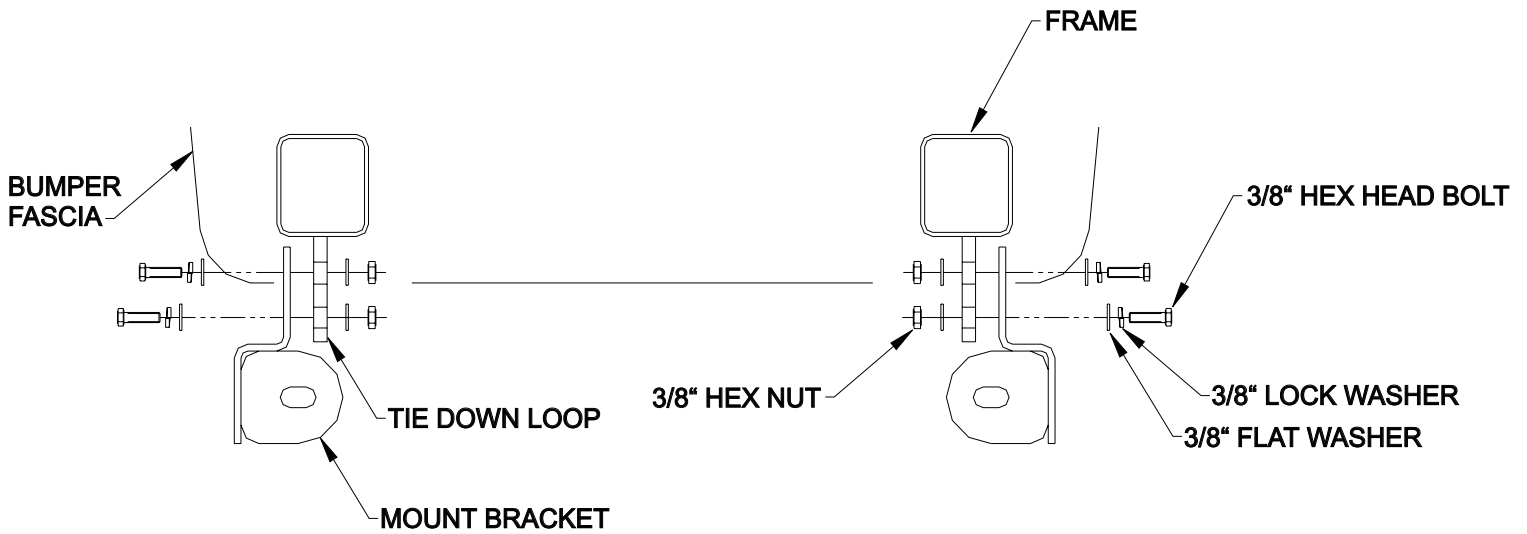


QTY	PARTS KIT CONTENTS DESCRIPTION	TOOLS REQUIRED
1	SAFARI BAR ASSEMBLY (PURCHASED SEPARATELY)	
1	MOUNT BRACKET - PASSENGER SIDE	
1	MOUNT BRACKET - DRIVER SIDE	
2	1/2-13 X 2.00" HEX HEAD BOLT, GRADE 5, ZINC	
4	3/8-16 X 1.25" HEX HEAD BOLT, GRADE 5, ZINC	
2	1/2" FLAT WASHER, SAE	
8	3/8" FLAT WASHER, SAE	
2	1/2" SPLIT LOCK WASHER	
4	3/8" SPLIT LOCK WASHER	
4	3/8-16 HEX NUT, FINISHED	
		3/4" SOCKET 9/16" SOCKET RATCHET 9/16" WRENCH TORQUE WRENCH

- STEP 1:** REMOVE CONTENTS FROM THE BOX AND CHECK FOR ANY DAMAGE. VERIFY ALL PARTS AGAINST PARTS LIST.
- STEP 2:** READ AND UNDERSTAND INSTRUCTIONS COMPLETELY BEFORE BEGINNING INSTALLATION.
- STEP 3:** PLACE MOUNT BRACKET UP TO TIE DOWN LOOP LOCATED ON BOTTOM EDGE OF FRAME, JUST BEHIND THE FRONT BUMPER. SEE FIGURES 1 AND 2 FOR PROPER ORIENTATION OF BRACKETS.
- STEP 3:** PLACE MOUNT BRACKET UP TO TIE DOWN LOOP LOCATED ON BOTTOM EDGE OF FRAME, JUST BELOW THE FRONT BUMPER. SEE FIGURES 1 AND 2 FOR PROPER ORIENTATION OF BRACKETS.
- STEP 4:** SECURE BRACKETS TO TIE DOWN LOOP USING (2) 3/8" HEX BOLTS, (4) FLAT WASHERS, (2) LOCK WASHERS, AND (2) 3/8" HEX NUTS. (FIG. 2) TIGHTEN HAND TIGHT.
- STEP 5:** MOUNT SAFARI BAR USING 1/2" FASTENERS. TIGHTEN HAND TIGHT. SEE FIG. 1.
- STEP 6:** CENTER AND LEVEL SAFARI BAR. TIGHTEN AND TORQUE FASTENERS AS FOLLOWS: 1/2" FASTENERS TO 65 FT-LBS. 3/8" FASTENERS TO 30 FT-LBS.



**FIG. 1  
DRIVER SIDE**



**FIG. 2  
FRONT VIEW**

Finish protection - Westin products have a high quality finish that must be cared for like any other exposed finish on the vehicle. Protect the finish with a non-abrasive automotive wax (pure carnauba, for example) on a regular basis. The use of cleaner wax or any compound which contains an abrasive is detrimental, as the compounds scratch the finish and open it to corrosion.