



INSTALLATION INSTRUCTIONS

APPLICATION: 1998- CHEVROLET S-10\BLAZER
 1998- GMC SONOMA\JIMMY
 1998- OLDSMOBILE BRAVADA
 1998- ISUZU HOMBRE

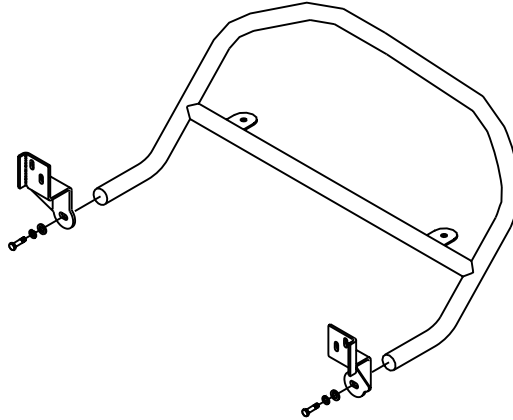
AUTOMOTIVE PRODUCTS, INC.

SAFARI BAR
 ASSEMBLY:

30-0005

MOUNT KIT:

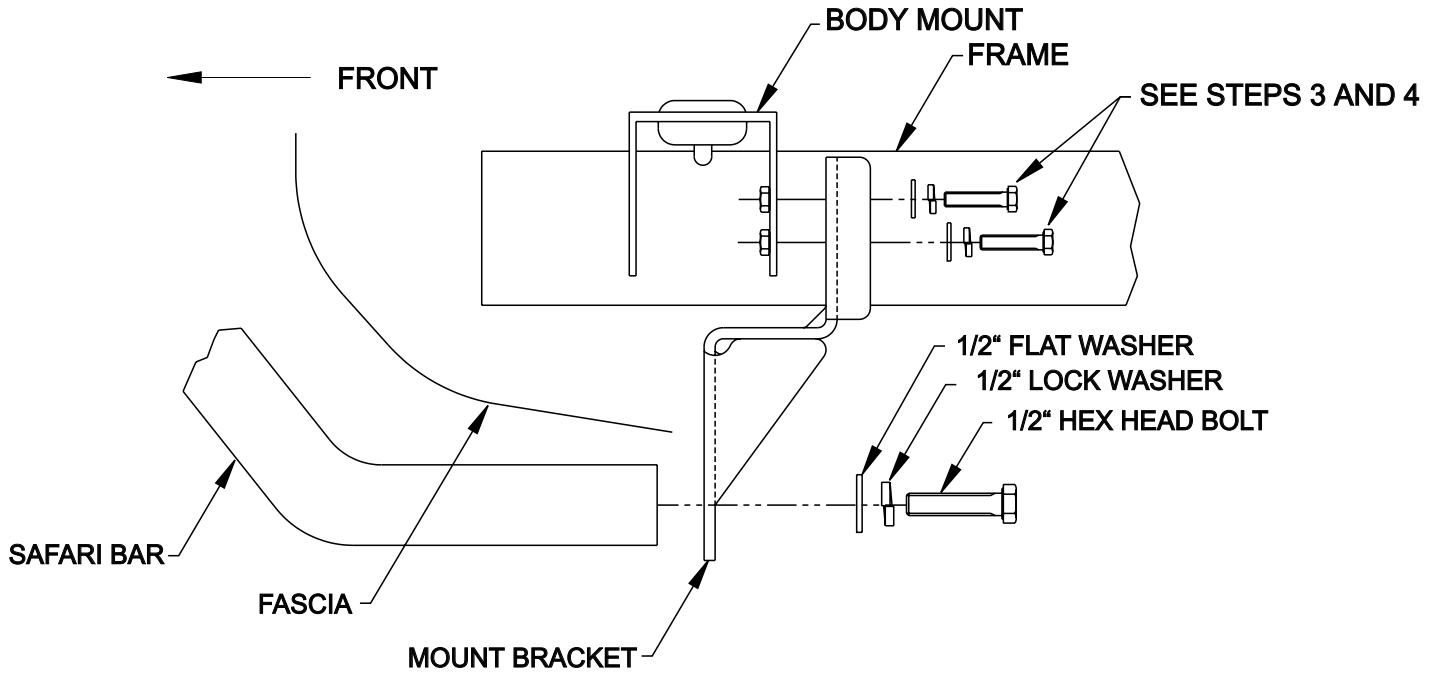
30-1065



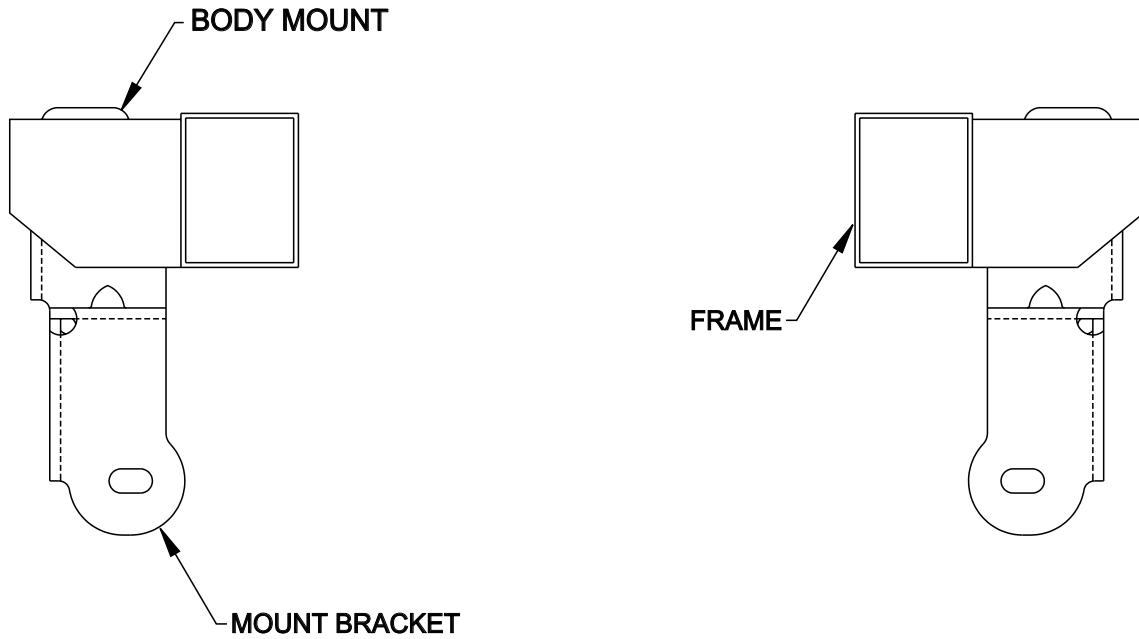
QTY.	PARTS KIT CONTENTS DESCRIPTION	TOOLS REQUIRED
1	SAFARI BAR ASSEMBLY (PURCHASED SEPARATELY)	
1	MOUNT BRACKET - PASSENGER SIDE	
1	MOUNT BRACKET - DRIVER SIDE	
2	1/2-13 X 2.00" HEX HEAD BOLT, GRADE 5, ZINC	
4	M10-1.50 x 30MM HEX HEAD BOLT, ZINC	
2	1/2" SAE FLAT WASHER	
4	10MM FLAT WASHER	
2	1/2" SPLIT LOCK WASHER	
4	10MM SPLIT LOCK WASHER	
		3/4" SOCKET 15 MM SOCKET 17 MM SOCKET RATCHET TORQUE WRENCH

- STEP 1:** REMOVE CONTENTS FROM THE BOX AND CHECK FOR ANY DAMAGE. VERIFY ALL PARTS AGAINST PARTS LIST.
- STEP 2:** READ AND UNDERSTAND INSTRUCTIONS COMPLETELY BEFORE BEGINNING INSTALLATION.
- STEP 3:** REMOVE (2) 10MM BUMPER BRACE BOLTS LOCATED ON BACK SIDE OF FRONT BODY MOUNT. (BODY MOUNT IS LOCATED ON OUTSIDE OF FRAME JUST BEHIND THE BUMPER) SEE FIG. 1. NOTE: BUMPER BRACE BOLTS MAY NOT BE INCLUDED ON ALL MODELS OF TRUCKS. IN THIS CASE, PROCEED TO STEP 4.
- STEP 4:** PLACE MOUNT BRACKETS UP TO BACK SIDE OF BODY MOUNT AND SECURE USING EXISTING 10 MM BOLTS PREVIOUSLY REMOVED. (ON TRUCKS WITHOUT EXISTING BOLTS, USE THE 10 MM BOLTS, FLAT WASHERS, AND LOCK WASHERS INCLUDED IN THE MOUNT KIT) SEE FIG. 1. TIGHTEN HAND TIGHT. SEE FIG. 2 FOR BRACKET ORIENTATION.
- STEP 5:** MOUNT SAFARI BAR USING 1/2" FASTENERS. TIGHTEN HAND TIGHT. SEE FIG. 1.
- STEP 6:** CENTER AND LEVEL SAFARI BAR. TIGHTEN AND TORQUE FASTENERS AS FOLLOWS: 1/2" FASTENERS TO 65 FT-LBS. 10MM FASTENERS TO 30 FT-LBS.

**FIG. 1
DRIVER SIDE**



**FIG. 2
FRONT VIEW**



Finish protection - Westin products have a high quality finish that must be cared for like any other exposed finish on the vehicle. Protect the finish with a non-abrasive automotive wax (pure carnauba, for example) on a regular basis. The use of cleaner wax or any compound which contains an abrasive is detrimental, as the compounds scratch the finish and open it to corrosion.