

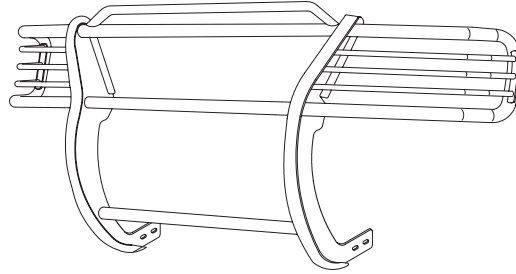


# INSTALLATION INSTRUCTIONS

APPLICATION: 2006-UP FORD RANGER/RANGER EDGE  
2/4 DOOR & 2/4 WHEEL DRIVE

AUTOMOTIVE PRODUCTS, INC.

SPORTSMAN  
ASSEMBLY  
**40-2055**



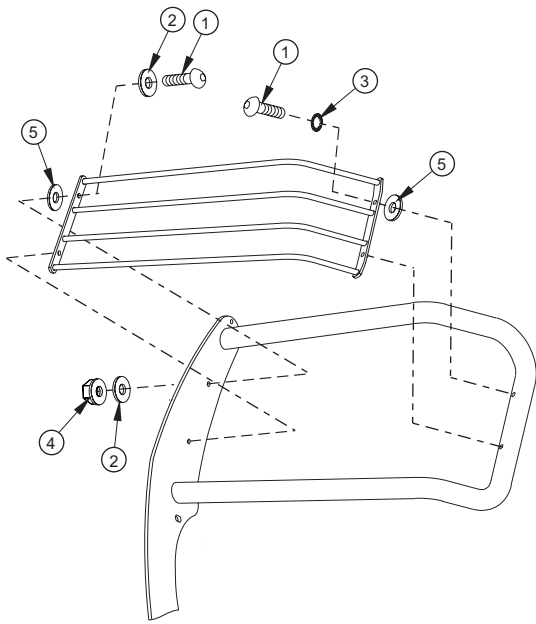
## PARTS KIT CONTENTS

ITEM	QTY	DESCRIPTION	ITEM	QTY	DESCRIPTION
1	1	SPORTSMAN ASSEMBLY	15	4	1/2-13 X 1.25" HEX HEAD BOLT
2	2	LIGHT GUARD ASSEMBLY	16	8	1/2" FLAT WASHER, BLACK
3,4	2	TOP BRACKET, PASSENGER AND DRIVER	17	4	1/2" LOCK WASHER, BLACK
4,5	2	BOTTOM BRACKET, PASSENGER AND DRIVER	18	4	1/2-13 HEX NUT, BLACK
6, 7	2	SUPPORT BRACKET, PASSENGER AND DRIVER	19	4	3/8-16 X 1.25" HEX HEAD BOLT
8	2	BACKING PLATE	20	8	3/8" FLAT WASHER
9	2	LARGE SPACER TUBE	21	4	3/8" LOCK WASHER
10	2	SMALL SPACER TUBE	22	4	3/8-16 HEX NUT
11	2	1/2-13 X 4.00" HEX HEAD BOLT	23	4	5/16-18 X 1.00" SELF TAPPING SCREW
12	8	1/2" FLAT WASHER	24	2	M12-1.75 X 25MM HEX HEAD BOLT
13	6	1/2" LOCK WASHER	25	2	M12-1.75 X 40MM COUPLING NUT
14	2	1/2-13 HEX NUT	26	2	SPACER WASHER

## TOOLS REQUIRED

3/4" SOCKET	3/4" WRENCH	9/16" SOCKET	9/16" WRENCH	1/2" SOCKET
7/16" WRENCH	5/32" HEX WRENCH	13MM SOCKET	13MM WRENCH	10MM SOCKET
RATCHET	SOCKET EXTENSION	TORQUE WRENCH	18MM SOCKET	19MM SOCKET
				22MM SOCKET

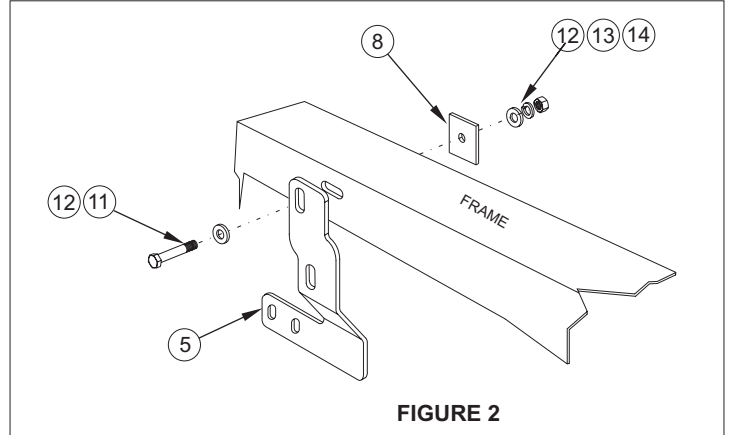
- STEP 1. Remove the contents from box and check for damage. Verify all parts are present. Read instructions completely before beginning.
- STEP 2. Attach light guard assemblies as shown. **SEE FIGURE 1.**
- STEP 3. Install mount brackets on the outside face of frame members as shown. Hand tighten. **SEE FIGURE 2.**
- STEP 4. Install support brackets using holes in bottom face of vehicle frame as shown.  
**NOTE:** Some vehicles have a plastic shroud mounted to bottom of frame. Remove bolts with 10MM socket. Remove "push type" fastener from shroud. Place support brace against bottom of frame, reinstall shroud with factory bolts. Replace push type connector with 5/16" self tapping bolt. Hand tighten. **SEE FIGURE 3.**
- STEP 5. Secure support bracket to mount bracket using 3/8" fasteners. **SEE FIGURE 3.**
- STEP 6. Remove the factory nut using a 18mm socket. Install fasteners as shown in Figure 4. Position top brackets so that they bolt to the inside of the Sportsman uprights. Hand tighten.
- STEP 7. With Sportsman front side down in front of vehicle, bolt rear slot of Sportsman up to rear slot of mount bracket. Leave loose. Rotate Sportsman up to vehicle and bolt remaining 1/2" and 3/8" fasteners. Leave loose. **SEE FIGURE 3.**
- STEP 8. Center and level Sportsman as desired. Tighten and torque 1/2" fasteners to 65 FT. LBS; 5/16" fasteners to 15 FT. LBS. and 12MM fasteners to 35 FT.LBS.



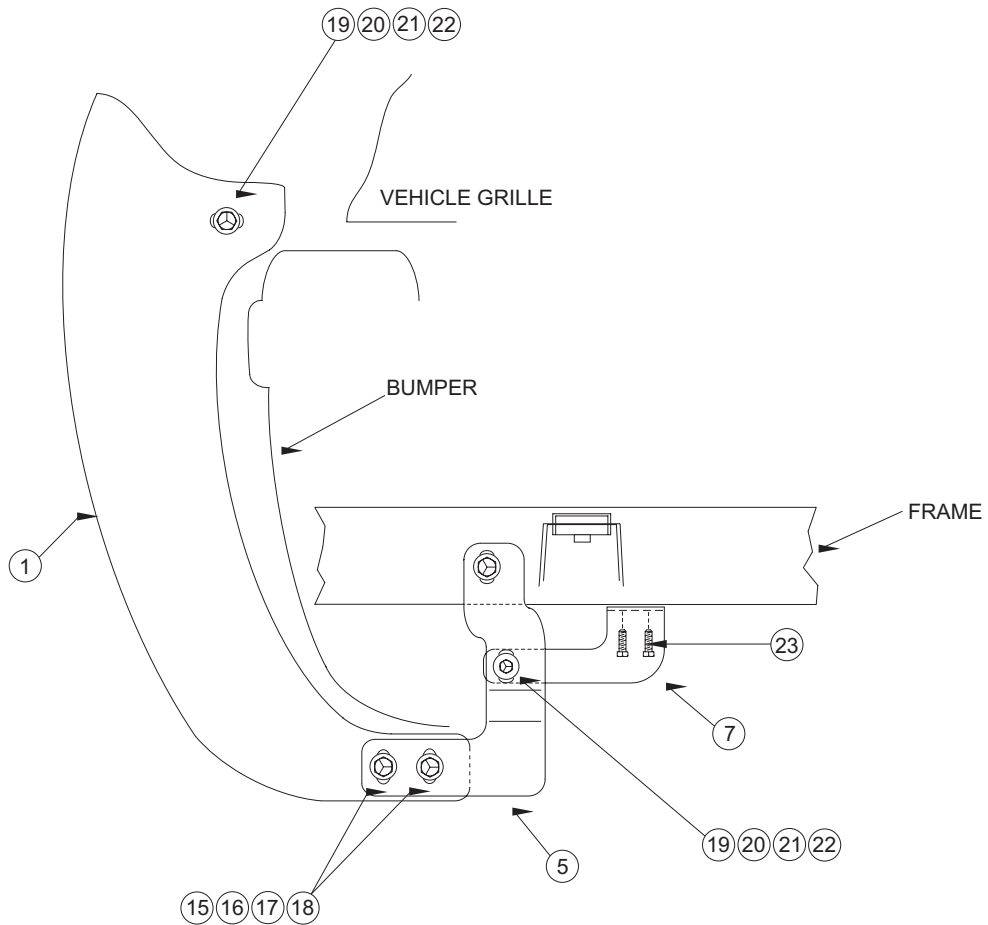
ITEM	QTY.	DESCRIPTION
1	8	1/4-20 X 1.00" BUTTON HEAD BOLT
2	8	1/4" FLAT WASHER
3	4	1/4" INTERNAL TOOTH LOCK WASHER
4	4	1/4-20 NYLON NUT
5	8	RUBBER WASHER

NOTE: ALL FASTENERS MAY NOT BE USED.

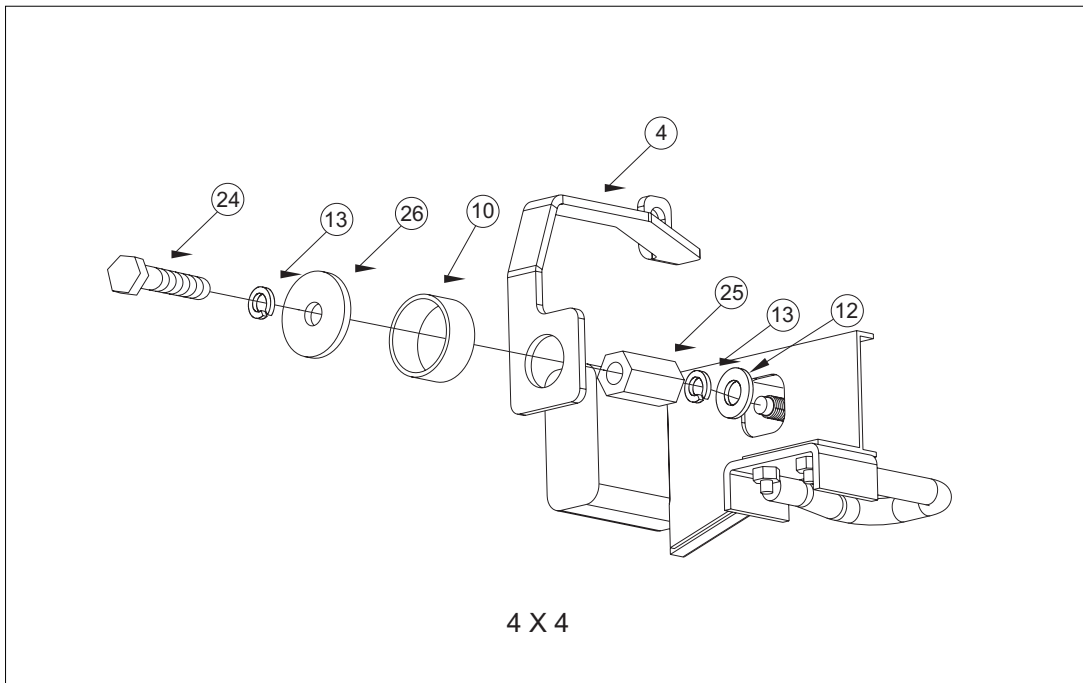
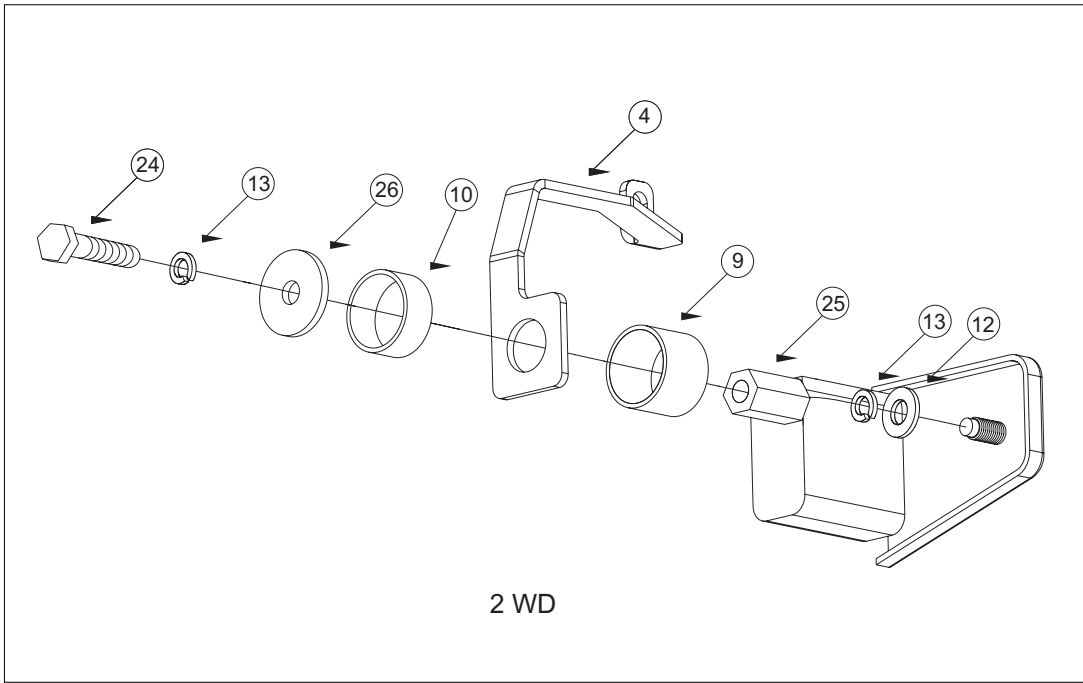
**FIGURE 1**  
LIGHT GUARD INSTALLATION



**FIGURE 2**



**FIGURE 3**  
INSTALLATION VIEW OF DRIVER SIDE, PASSENGER SIDE OPPOSITE



**FIGURE 4**  
DRIVER SIDE SHOWN

Finish protection - Westin products have a high quality finish that must be cared for like any other exposed finish on the vehicle. Protect the finish with a non-abrasive automotive wax (pure carnauba, for example) on a regular basis. The use of cleaner wax or any compound which contains an abrasive is detrimental, as the compounds scratch the finish and open it to corrosion.



Westin Automotive Products, Inc.  
5200 N. Irwindale Ave. Suite 220  
Irwindale, Ca. 91706

Thank You for choosing Westin products  
For additional installation assistance please call  
Customer service (800) 793-7846 or (507) 375-3559