



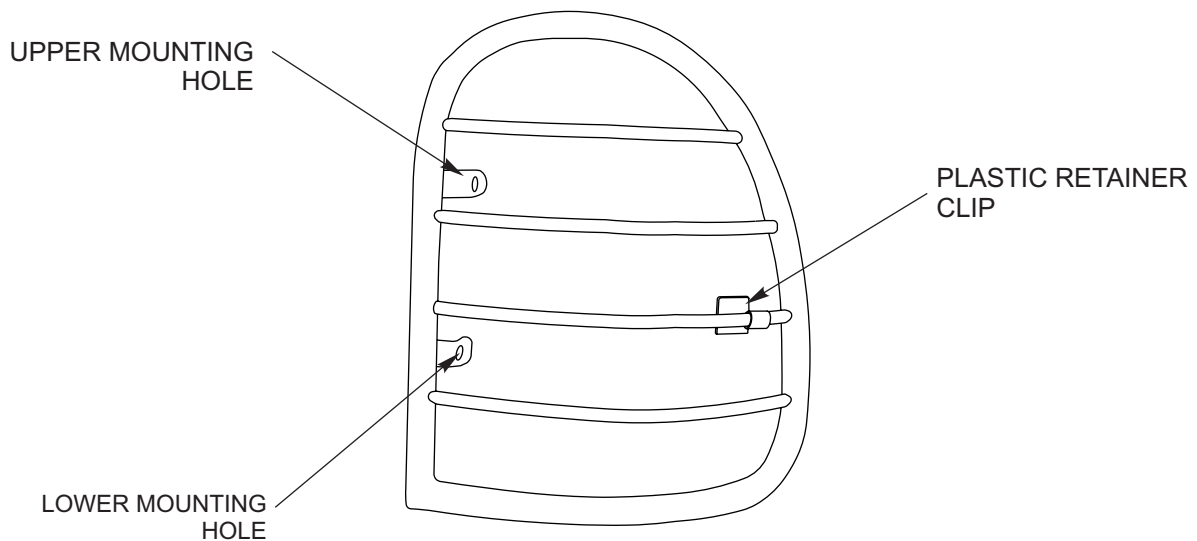
# INSTALLATION INSTRUCTIONS

APPLICATION: 1998-2003 DODGE DURANGO

**AUTOMOTIVE PRODUCTS, INC.**

SPORTSMAN TAIL LIGHT GUARD  BLACK 39-3045	QTY	PART KIT CONTENTS DESCRIPTION
	1	TAIL LIGHT GUARD - DRIVER
	1	TAIL LIGHT GUARD - PASSENGER
	2	PLASTIC RETAINER CLIPS

- STEP 1. Remove the contents from box and check for damage. Verify all parts are present. Read instructions completely before beginning.
- STEP 2. Snap plastic retainer clips onto third wire from top of both tail light guards.
- STEP 3. Lift rear hatch to access taillight mounting screws located in the hatch jamb. Remove but do not discard the two factory screws (one upper and one lower) that attaches the taillight.
- STEP 4. Center taillight guard over taillight and adjust bracket so that the retainer clip rests snugly against lens. Loosely secure taillight guard to vehicle using factory screws previously removed. Carefully close hatch making sure taillight guard does not interfere with operation of hatch opening and closing. Adjust brackets as necessary. Tighten snugly using caution to avoid cracking housing assembly. Remove backing tape from base of retainer clips and press firmly against taillight lens.
- STEP 5. Repeat installation for opposite side.



**FIGURE 1  
DRIVER SIDE TAILLIGHT GUARD SHOWN**

Finish protection - Westin products have a high quality finish that must be cared for like any other exposed finish on the vehicle. Protect the finish with a non-abrasive automotive wax (pure carnauba, for example) on a regular basis. The use of cleaner wax or any compound which contains an abrasive is detrimental, as the compounds scratch the finish and open it to corrosion.



Westin Automotive Products, Inc.  
5200 N. Irwindale Ave. Suite 220  
Irwindale, Ca. 91706

Thank You for choosing Westin products  
For additional installation assistance please call  
Customer service (800) 793-7846 or (507) 375-3559