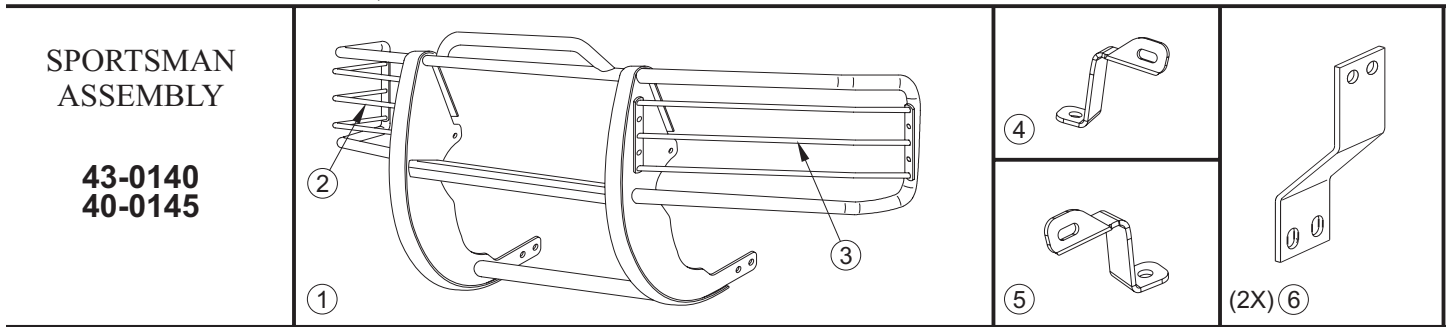




INSTALLATION INSTRUCTIONS

APPLICATION: 1997-04 DODGE DAKOTA
1998-03 DODGE DURANGO

AUTOMOTIVE PRODUCTS, INC.



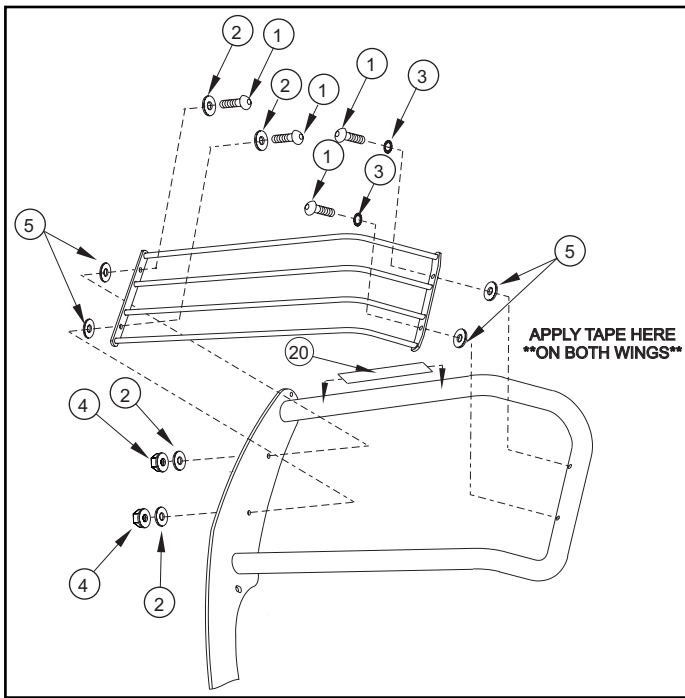
PARTS KIT CONTENTS

ITEM	QTY	DESCRIPTION	ITEM	QTY	DESCRIPTION
1	1	SPORTSMAN ASSEMBLY	13	2	3/8" LOCK WASHER
2,3	2	LIGHT GUARD ASSEMBLY, PASSENGER(2) AND DRIVER(3)	14	2	3/8-16 HEX NUT
4,5	2	TOP BRACKET, PASSENGER(4) AND DRIVER(5)	15	4	1/2-13 X 1.25" HEX HEAD BOLT BLUE ZINC
6	2	BOTTOM BRACKET	16	4	M12-1.75 X 40MM HEX HEAD BOLT BLUE ZINC
7	4	1/2-13 X 1.25" HEX HEAD BOLT	17	8	1/2" FLAT WASHER BLUE ZINC
8	8	1/2" FLAT WASHER	18	4	1/2" LOCK WASHER BLUE ZINC
9	8	1/2" LOCK WASHER	19	4	1/2-13 HEX NUT BLUE ZINC
10	4	1/2-13 HEX NUT	20	2	ANTI-REFLECTIVE TAPE (FOR CHROME ASSEMBLIES ONLY.)
11	2	3/8-16 X 1.25" HEX HEAD BOLT			
12	4	3/8" FLAT WASHER			

TOOLS REQUIRED

3/4" SOCKET	3/4" WRENCH	9/16" SOCKET	9/16" WRENCH	7/16" WRENCH
5/32" HEX WRENCH	18MM SOCKET	19MM SOCKET	TORQUE WRENCH	

- STEP 1. Remove the contents from box and check for damage. Verify all parts are present. Read instructions completely before beginning.
- STEP 2. Attach light guard assemblies as shown. **SEE FIGURE 1.**
- STEP 3. Open hood of truck. Locate two bumper bracket bolts just behind the bumper. Remove the outermost bolt from each side and install top brackets using the original bumper bolts.
- STEP 4. From under vehicle, locate bumper brace bolts on outside of frame. Remove and discard bolts. Position bottom brackets with the offset to the center of vehicle and attach as shown. Leave loose. **SEE FIGURE 2.**
NOTE: Vehicles without bumper brace bolts, attach bracket using 1/2" fasteners. Install lock, flat, and nut inside frame.
- STEP 5. Place cardboard under vehicle. Lay Sportsman on cardboard with front side down. Align outermost upright holes with innermost rear bracket slots and fasten together using 1/2" fasteners as shown. Leave loose.
- STEP 6. Slowly rotate Sportsman Assembly up to vehicle and attach to top brackets using 3/8" fasteners. Leave loose. Install remaining 1/2" fasteners in bottom brackets. Hand tighten.
- STEP 7. Center and level Sportsman with vehicle. **Close Hood Slowly,** to insure the hood clears the Sportsman Assembly then reopen.
- STEP 8. Torque 1/2" fasteners to 65 FT. LBS; 3/8" fasteners to 30 FT. LBS. and 12mm fasteners to 60 FT. LBS.
- STEP 9. For chrome assemblies. If light glare is being experienced off the wings of the Sportsman, anti-reflective tape has been supplied to reduce glare. With headlights on, note where the reflection is concentrated on the wing. Clean the wing well with a non-abrasive cleaner (rubbing alcohol works the best.) Trim the anti-reflective tape to the appropriate size where the glare was located and apply tape. **SEE FIGURE 1.**



ITEM	QTY.	DESCRIPTION
1	8	1/4-20 X 1.00" BUTTON HEAD BOLT
2	8	1/4" FLAT WASHER
3	4	1/4" INTERNAL TOOTH LOCK WASHER
4	4	1/4-20 NYLON NUT
5	8	RUBBER WASHER

NOTE: ALL FASTENERS MAY NOT BE USED.

FIGURE 1
LIGHT GUARD INSTALLATION

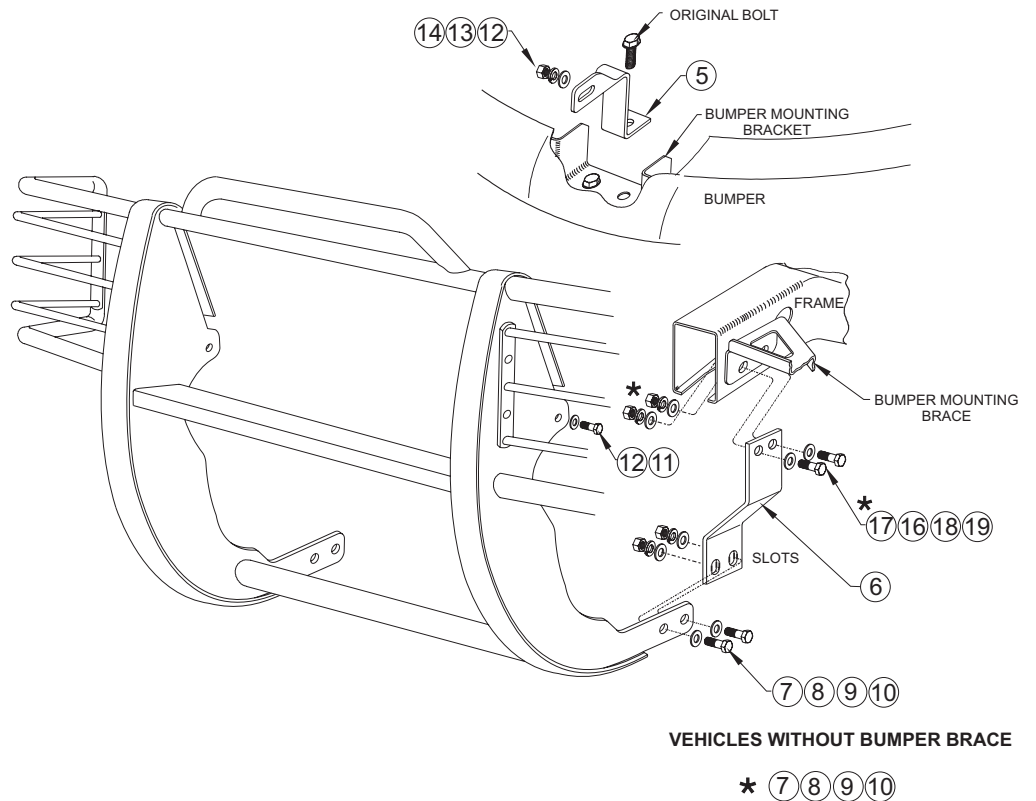


FIGURE 2
INSTALLATION VIEW OF DRIVER SIDE, PASSENGER SIDE OPPOSITE

Finish protection - Westin products have a high quality finish that must be cared for like any other exposed finish on the vehicle. Protect the finish with a non-abrasive automotive wax (pure carnauba, for example) on a regular basis. The use of cleaner wax or any compound which contains an abrasive is detrimental, as the compounds scratch the finish and open it to corrosion.