



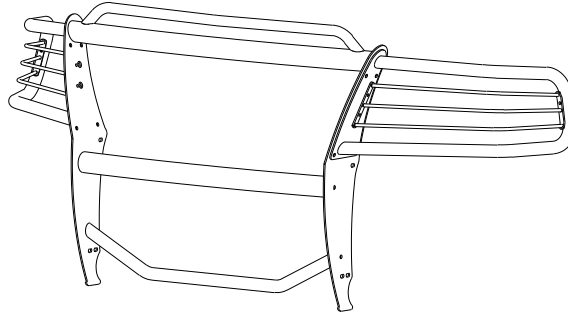
INSTALLATION INSTRUCTIONS

APPLICATION: 2004-UP FORD F-150 2/4 WHEEL DRIVE

AUTOMOTIVE PRODUCTS, INC.

SPORTSMAN
ASSEMBLY

41-1395
44-1390



PARTS KIT CONTENTS

ITEM	QTY	DESCRIPTION	ITEM	QTY	DESCRIPTION
1	2	WING ASSEMBLY	15	6	3/8-16 X 1.25" SS HEX HEAD BOLT
2	1	HOOD BAR/TOP TUBE ASSEMBLY	16	10	3/8-16 X 1.00" SS BUTTON HEAD BOLT
3	1	CENTER TUBE	17	2	3/8-16 X 1.00" THREAD CUTTING SCREW
4	2	LIGHT MOUNT	18	16	3/8" SS FLAT WASHER
5	1	BOTTOM TUBE	19	12	3/8" SS BLK FLAT WASHER
6	2	UPRIGHT	20	2	3/8" SS INTERNAL TOOTH LOCK WASHER
7	2	BRACKET, PASSENGER AND DRIVER	21	6	3/8" SS BLK LOCK WASHER
8	2	SUPPORT BRACE, PASSENGER AND DRIVER	22	6	3/8-16 BLK HEX NUT
9	4	BOLT PLATE	23	8	3/8-16 SS LOCK NUT
10	4	1/2-13 X 1.50" SS FLAT HEAD BOLT	24	2	M10-1.50 X 30MM HEX HEAD BOLT
11	4	1/2" FLAT WASHER	25	2	10 MM FLAT WASHER
12	4	1/2" LOCK WASHER	26	2	10 MM LOCK WASHER
13	4	1/2-13 HEX NUT	27	4	2 3/4" PLASTIC WASHER
14	2	7/16" NYLON WASHER	28	2	1 5/8" PLASTIC WASHER
			29	8	1.00" PLASTIC WASHER

TOOLS REQUIRED

3/4" SOCKET	9/16" SOCKET	9/16" WRENCH	5/16" HEX WRENCH
13MM SOCKET	7/32" HEX WRENCH	15MM SOCKET	17MM SOCKET
RATCHET	SOCKET EXTENSION	TORQUE WRENCH	UTILITY KNIFE

STEP 1. Remove the contents from box and check for damage. Verify all parts are present. Read instructions completely before beginning.

VEHICLES WITH TOW HOOKS

STEP 2. Remove tow hooks by removing front bolt and loosening rear bolt. Slide tow hooks off. Remove rear bolt and make sure nut plate in frame stays aligned with holes.

STEP 3. Position bottom bracket up to bottom of frame and replace rear tow hook bolt. Slide tow hooks onto rear bolt and reinstall front bolt. Leave loose. **SEE FIGURE 1.** Go to step 5.

VEHICLES WITHOUT TOW HOOKS

STEP 4. Insert two bolt plates through the end of the frame and into bottom frame holes. **NOTE:** It may be necessary to remove the lower plastic portion of the bumper to gain access to ends of the frame rails. The indented pockets in the lower bumper will need to be cut out to allow bottom brackets to pass through. **SEE FIGURE 3.**

- STEP 5. With hood open, locate the top bumper bracket bolt. Remove factory bolt and attach top bracket using 10MM fasteners as shown. Leave loose. **NOTE:** Close hood carefully to insure that there is proper clearance between bottom of grille and top brackets. **SEE FIGURE 2.**
- STEP 6. Determine passenger and driver uprights, hood bar/top tube assembly, center tube and bottom tube. **NOTE:** Uprights are positioned so raised side of bolt holes are facing each other. **SEE FIGURE 3.**
- STEP 7. Attach uprights to center and bottom tubes as shown. Level and torque 1/2" fasteners to 60 FT.LBS. and 3/8" fasteners to 30 FT.LBS. **SEE FIGURE 4.**
- STEP 8. Attach light mounts to center tube as shown. Torque to 20 FT.LBS. **SEE FIGURE 4.**
NOTE: If needed, Loctite® or similar thread locking product may be applied to center tube fasteners to help prevent them from loosening.
- STEP 9. Attach wing assemblies as shown. Torque to 35 FT.LBS. **SEE FIGURE 4.**
- STEP 10. Attach Sportsman uprights to mount brackets using 3/8" fasteners as shown. Center and level Sportsman Assembly. Open hood carefully to insure that bottom of grille clears hood bar/top tube assembly. Torque tow hook bolts to 75 FT.LBS; 1/2" fasteners to 65 FT.LBS; 10mm fasteners to 35 FT.LBS. and 3/8" fasteners to 30 FT.LBS.

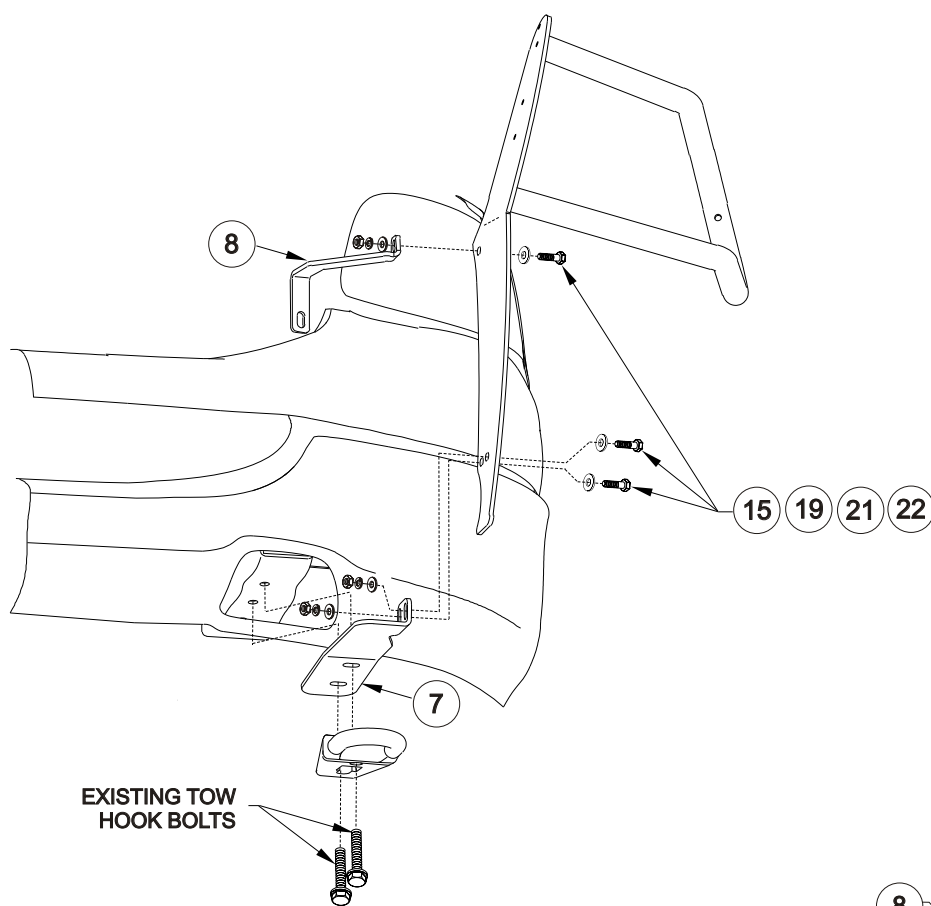


FIGURE 1
INSTALLATION VIEW OF DRIVER SIDE,
PASSENGER SIDE OPPOSITE

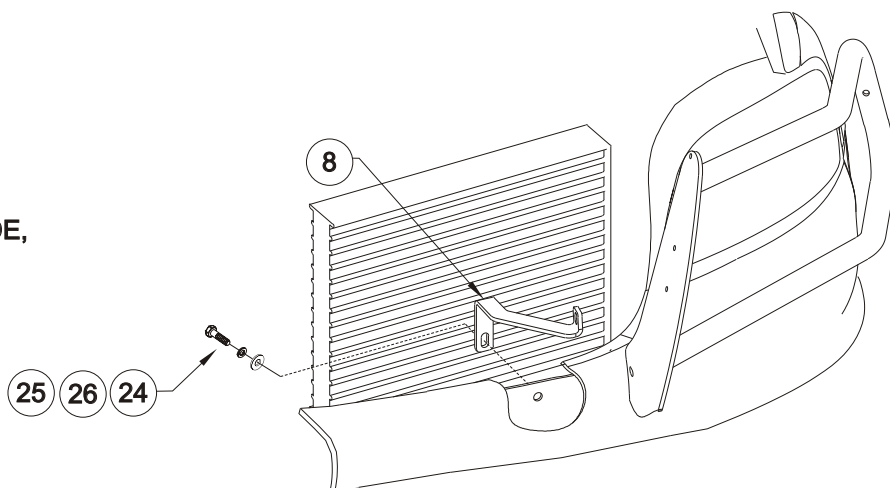


FIGURE 2

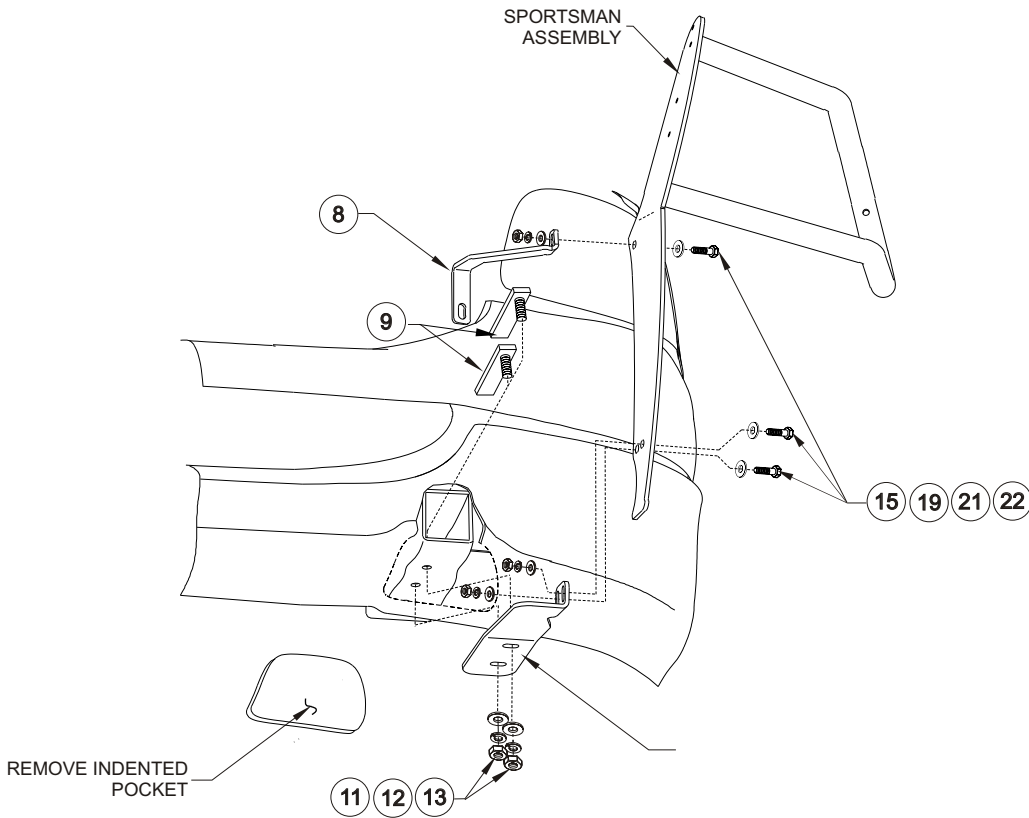


FIGURE 3
2 WHEEL DRIVE/WITHOUT TOW HOOKS

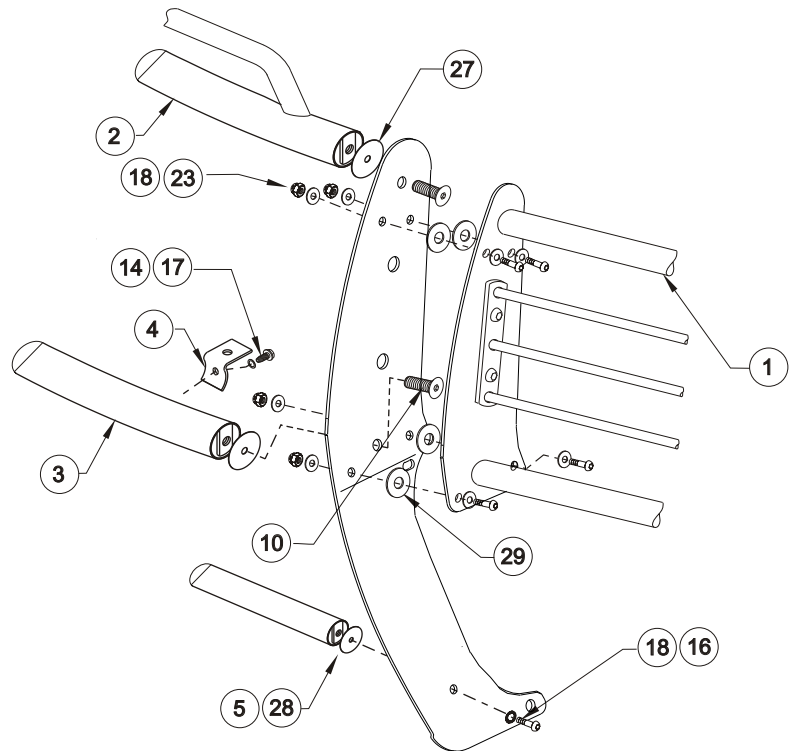


FIGURE 4
INSTALLATION VIEW OF DRIVER SIDE, PASSENGER SIDE OPPOSITE

Finish protection - Westin products have a high quality finish that must be cared for like any other exposed finish on the vehicle. Protect the finish with a non-abrasive automotive wax (pure carnauba, for example) on a regular basis. The use of cleaner wax or any compound which contains an abrasive is detrimental, as the compounds scratch the finish and open it to corrosion.



Westin Automotive Products, Inc.
5200 N. Irwindale Ave. Suite 220
Irwindale, Ca. 91706

Thank You for choosing Westin products
For additional installation assistance please call
Customer service (800) 793-7846 or (507) 375-3559