



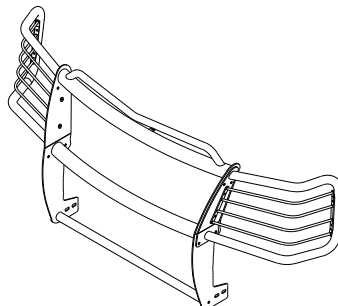
INSTALLATION INSTRUCTIONS

APPLICATION: 2001-UP CHEVROLET AVALANCHE WITH CLADDING 1500/2500 SERIES 2/4 WHEEL DRIVE

AUTOMOTIVE PRODUCTS, INC.

SPORTSMAN
ASSEMBLY

41-1465
44-1460



PARTS KIT CONTENTS

ITEM	QTY	DESCRIPTION	ITEM	QTY	DESCRIPTION
1	2	WING ASSEMBLY	19	6	1/2-13 SS HEX NUT
2	1	HOOD BAR TOP TUBE ASSEMBLY	20	2	7/16" NYLON WASHER
3	1	CENTER TUBE	21	10	3/8-16 X 1.00" SS BUTTON HEAD BOLT
4	1	BOTTOM TUBE	22	2	3/8-16 X 1.00" HEX HEAD BOLT
5	2	UPRIGHT	23	2	3/8-16 X 1.00" THREAD CUTTING SCREW
6	2	BRACKET, PASSENGER AND DRIVER 1500 SERIES	24	4	3/8" FLAT WASHER
7	2	BRACKET, PASSENGER AND DRIVER 2500 SERIES	25	16	3/8" SS FLAT WASHER
8	1	SUPPORT BRACE	26	2	3/8" LOCK WASHER
9	2	BOLT PLATE	27	2	3/8" INTERNAL TOOTH LOCK WASHER
10	2	LIGHT MOUNT	28	8	3/8-16 SS LOCK NUT
11	6	1/2-13 X 1.25" SS HEX HEAD BOLT	29	2	3/8-16 HEX NUT
12	4	1/2-13 X 1.50" FLAT HEAD BOLT	30	2	M12-1.75 X 40MM HEX HEAD BOLT
13	2	1/2-13 X 2.00" HEX HEAD BOLT	31	2	M12-1.75 HEX JAM REVERSIBLE NUT
14	8	1/2" FLAT WASHER	32	2	M12-1.75 HEX NUT
15	12	1/2" SS FLAT WASHER	33	4	2 3/4" PLASTIC WASHER
16	6	1/2" LOCK WASHER	34	2	1 5/8" OD PLASTIC WASHER
17	6	1/2" SS LOCK WASHER	35	8	1.00" OD PLASTIC WASHER
18	2	1/2-13 HEX NUT			

TOOLS REQUIRED

3/4" SOCKET	3/4" WRENCH	9/16" SOCKET	9/16" WRENCH
5/16" HEX WRENCH	7/32" HEX WRENCH	15MM SOCKET	18MM SOCKET
19MM SOCKET	RATCHET	SOCKET EXTENSION	TORQUE WRENCH

STEP 1. Remove the contents from box and check for damage. Verify all parts are present. Read instructions completely before beginning.

NOTE: The parts kit contains brackets for both 1500 and 2500 models. Identify which brackets are used for your installation. One set of brackets will not be used.

STEP 2. **1500 Models:** From underneath vehicle, locate and remove tow hook bolts on the bottom and side of frame. Attach brackets using factory bolts. **SEE FIGURE 1.** Leave loose.

STEP 3. **2500 Models:** From underneath vehicle, locate and remove tow hook bolts on the outside of frame. Slide mount tab assemblies into position from the end of the frame rail. Allow bolt to protrude through the largest holes closest to the end of frame. **SEE FIGURE 2.** Position bracket up to frame and attach to mount tab

assemblies using 1/2" fasteners. Replace tow hook bolts with 12mm bolt provided. Leave loose.

- STEP 4. Attach support brace to vehicle hood latch as shown. Leave loose. **SEE FIGURE 3.**
- STEP 5. Determine passenger and driver uprights, hood bar/top tube assembly, center tube and bottom tube. **NOTE:** Uprights are positioned so raised side of bolt holes are facing each other. **SEE FIGURE 4.**
- STEP 6. Attach uprights to hood bar/top tube assembly, center tube and bottom tube as shown. Level and torque 1/2" fasteners to 60 FT.LBS. and 3/8" fasteners to 30 FT.LBS. **SEE FIGURE 4.**
- STEP 7. Attach light mounts to center tube as shown. Torque to 20 FT.LBS. **SEE FIGURE 4.**
NOTE: If needed, Loctite® or similar thread locking product may be applied to center tube fasteners to help prevent them from loosening.
- STEP 11. Attach wing assemblies to uprights as shown. Torque to 35 FT.LBS.
- STEP 12. Attach uprights to bottom brackets using 1/2" fasteners. Center and adjust Sportsman to support brace and attach using 3/8" fasteners. Torque 1/2" fasteners to 65 FT.LBS; 3/8" fasteners to 30 FT.LBS and existing 12mm hook bolts to 60 FT.LBS.

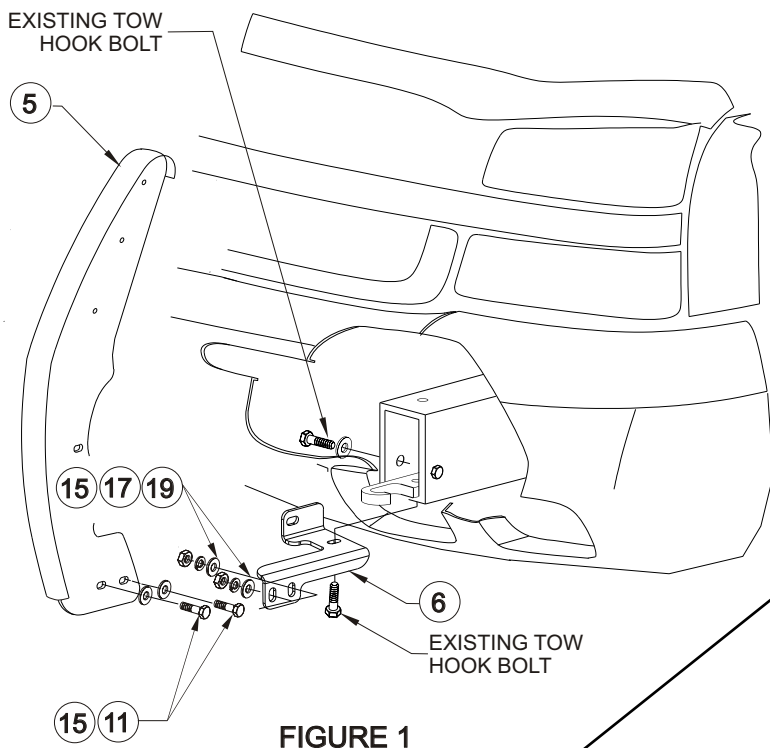


FIGURE 1

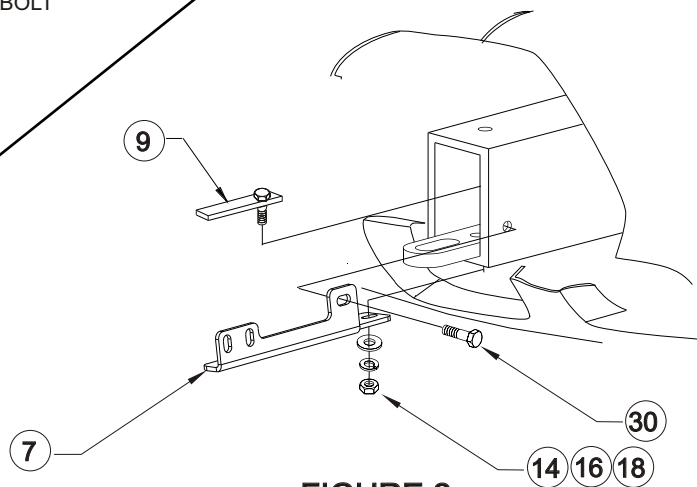
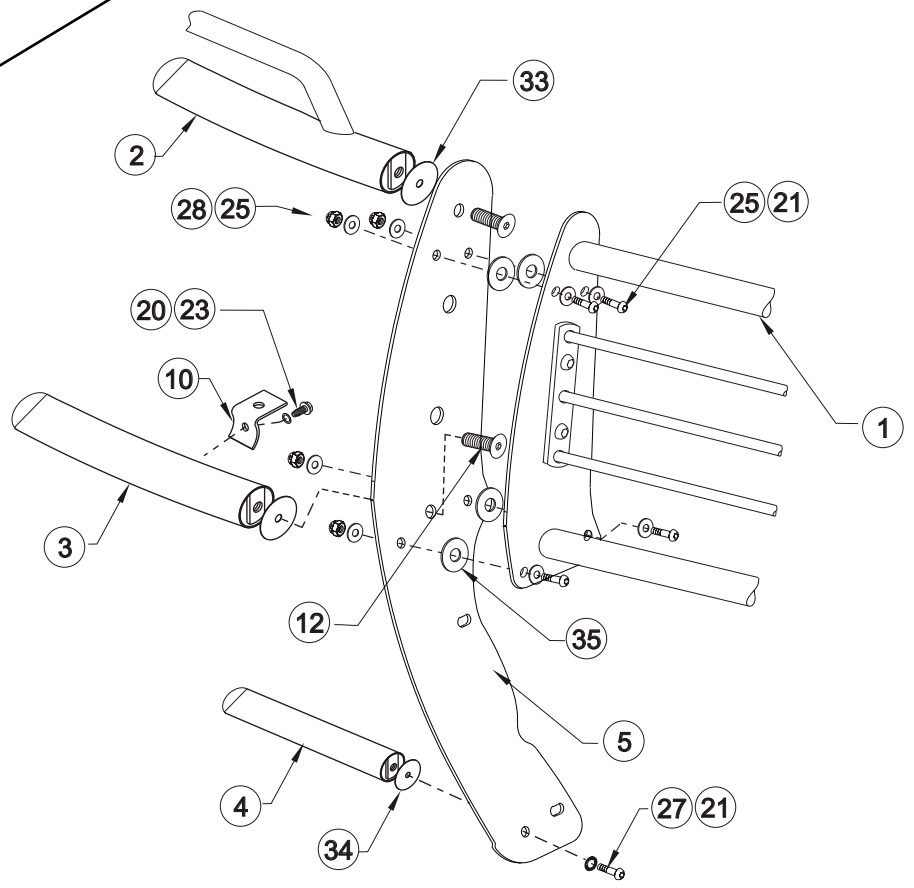
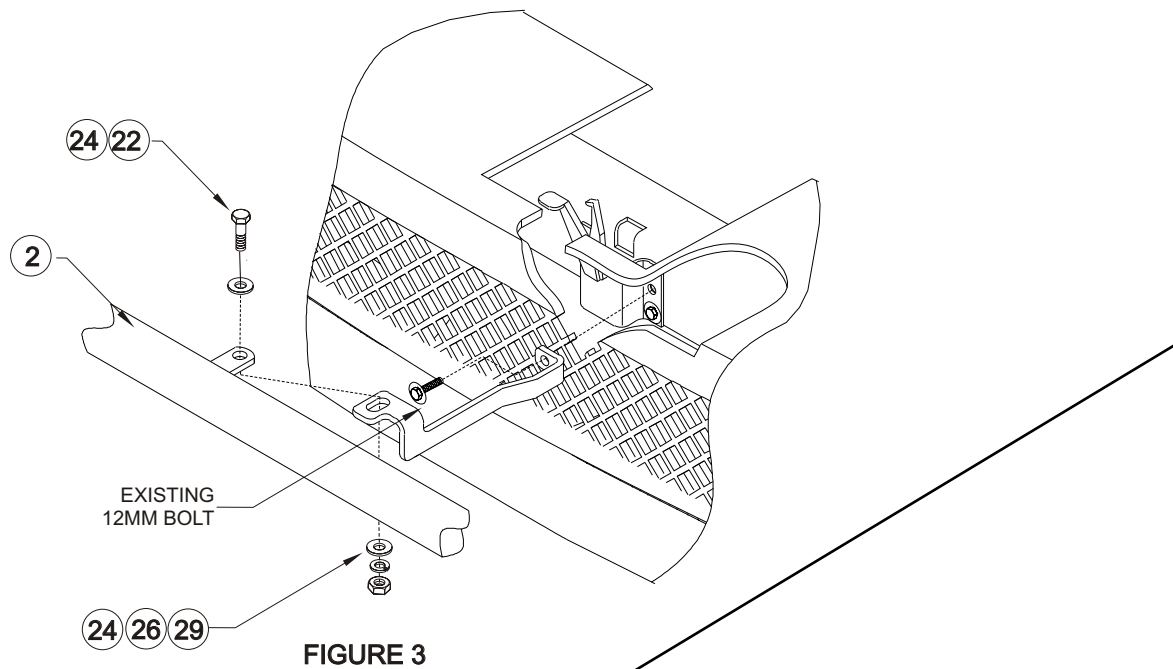


FIGURE 2

INSTALLATION VIEW OF DRIVER SIDE, PASSENGER SIDE OPPOSITE
INSTALLATION OF TOP BRACKET IS THE SAME FOR ALL MODELS.



Finish protection - Westin products have a high quality finish that must be cared for like any other exposed finish on the vehicle. Protect the finish with a non-abrasive automotive wax (pure carnauba, for example) on a regular basis. The use of cleaner wax or any compound which contains an abrasive is detrimental, as the compounds scratch the finish and open it to corrosion.



Westin Automotive Products, Inc.
5200 N. Irwindale Ave. Suite 220
Irwindale, Ca. 91706

Thank You for choosing Westin products
For additional installation assistance please call
Customer service (800) 793-7846 or (507) 375-3559