



INSTALLATION INSTRUCTIONS

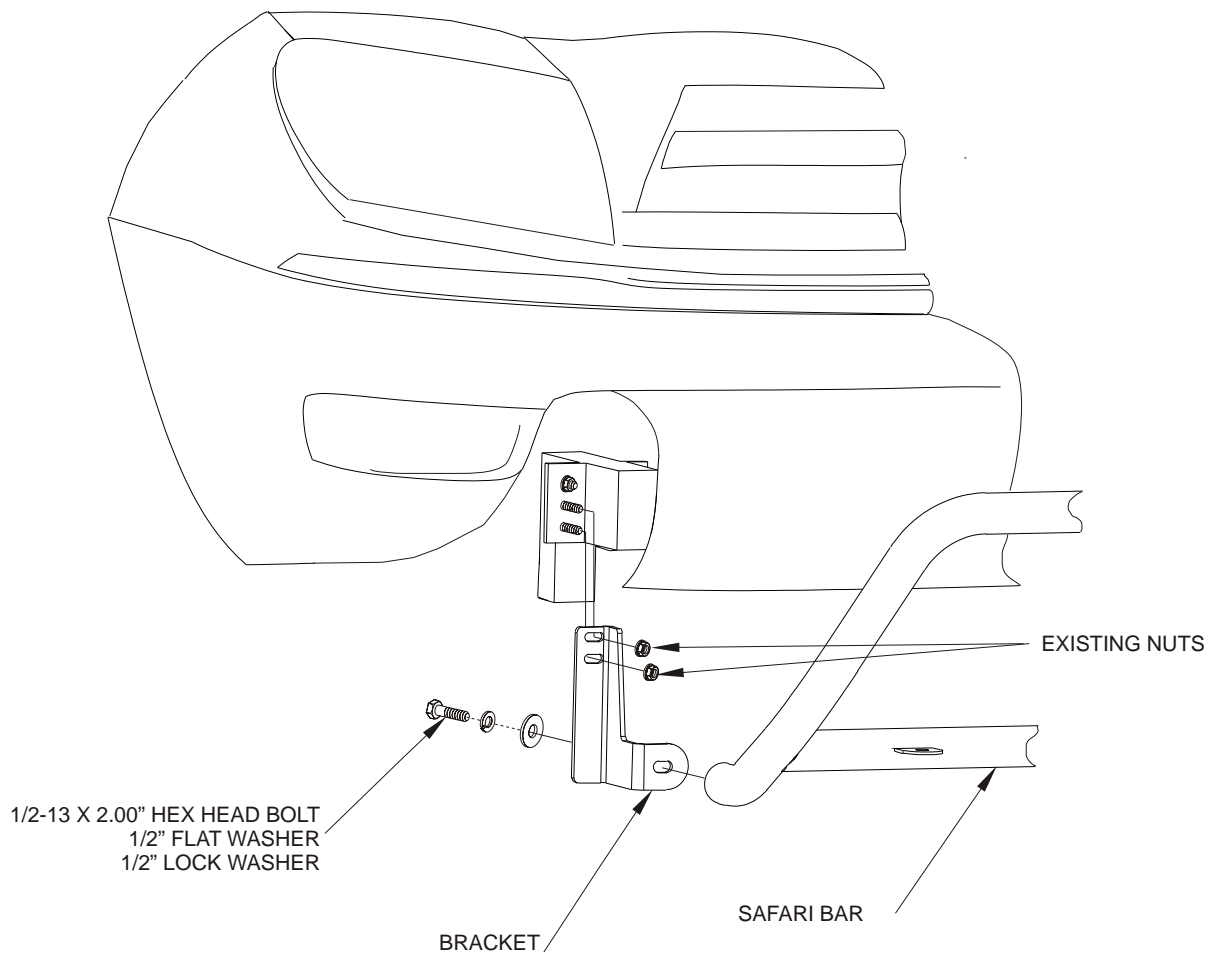
APPLICATION: 2003-UP TOYOTA 4-RUNNER
2003-UP LEXUS GX 470

AUTOMOTIVE PRODUCTS, INC.

<p>SAFARI BAR ASSEMBLY</p> <p>30-0020 30-0025</p> <p>MOUNT KIT:</p> <p>30-1325</p>	
---	--

QTY	PARTS KIT CONTENTS DESCRIPTION	TOOLS REQUIRED
1	SAFARI BAR ASSEMBLY (PURCHASED SEPARATELY)	3/4" SOCKET
2	BRACKET	3/4" WRENCH
2	1/2-13 X 2.00" HEX HEAD BOLT	14MM SOCKET
2	1/2" FLAT WASHER	14MM WRENCH
2	1/2" LOCK WASHER	RATCHET
		TORQUE WRENCH

- STEP 1. Remove the contents from the box and check for any damage. Verify all parts against the parts list.
- STEP 2. Read and understand instructions completely before beginning installation.
- STEP 3. Remove two of the three outer hex nuts that hold bumper support frame to vehicle frame. SEE FIGURE 1.
- STEP 4. Determine passenger and driver brackets. Attach brackets with existing 10mm fasteners previously removed. Leave loose.
- STEP 5. Attach Safari Bar to brackets using 1/2" fasteners. Leave loose.
- STEP 6. Center and level Safari Bar. Torque 1/2" fasteners to 65 FT.LBS and 10mm fasteners to 30 FT.LBS.



PASSENGER SIDE INSTALLATION SHOWN, DRIVER SIDE OPPOSITE

Finish protection - Westin products have a high quality finish that must be cared for like any other exposed finish on the vehicle. Protect the finish with a non-abrasive automotive wax (pure carnauba, for example) on a regular basis. The use of cleaner wax or any compound which contains an abrasive is detrimental, as the compounds scratch the finish and open it to corrosion.



Westin Automotive Products, Inc.
5200 N. Irwindale Ave. Suite 220
Irwindale, Ca. 91706

Thank You for choosing Westin products
For additional installation assistance please call
Customer service (800) 793-7846 or (507) 375-3559